

MARINHA DO BRASIL
SERVIÇO DE SELEÇÃO DO PESSOAL DA MARINHA

***CONCURSO PÚBLICO PARA INGRESSO NOS QUADROS
COMPLEMENTARES DE OFICIAIS DA MARINHA
(CP-QC-CA E QC-FN / 2023)***

**ESTÁ AUTORIZADA A UTILIZAÇÃO DE
CALCULADORA PADRÃO NÃO CIENTÍFICA**

ELETRÔNICA

ENGENHARIA DE COMPUTAÇÃO	ENGENHARIA ELÉTRICA
ENGENHARIA DE CONTROLE E AUTOMAÇÃO	ENGENHARIA ELETRÔNICA
ENGENHARIA DE TELECOMUNICAÇÕES	

Read the text below and answer questions 1 and 2.

Becoming More Collaborative - When You Like to Be in Control

Successful leaders can fall into the trap of thinking they know what's best for their team or organization. After all, they worked hard to get where they are and have made many tough decisions along the way. However, some leaders rely too heavily on their ability to make decisions on their own - with steep consequences for themselves, their team, and the organization. When leaders who are used to calling all the shots start working with peers and stakeholders, they sometimes find themselves at odds. Unless they pivot their decision-making style and reposition themselves as open-minded, collaborative leaders, they might be putting their future success on the line. Gallup research estimates that the cost of poor leadership and lost productivity can tally up to \$ 1.2 trillion dollars per year due to disengaged employees. If you want to be known as an influential leader, you must encourage your team's engagement, collaboration, and accountability for collective goals and decisions. Here are some ways to get started:

I. _____

If you focus more on immediate outcomes, consider the eventual consequences of your decisions, as well as the "second-degree consequences": the indirect or unintended results of your decision. For example, if you decide to lay off employees to cut costs, you immediately reduce payroll expenses. However, the second-degree consequence may include a negative impact on employee morale, a loss of institutional knowledge, and a potential decrease in productivity.

II. _____

You must acknowledge that your way is not the only way. Asking for input is not a weakness; on the contrary, it's an advantage that will only make your decision-making more effective. When you focus your decision-making solely on your inner beliefs and experiences, you limit your inputs. When you shift your focus to be more inclusive and take the time to search for external factors and perspectives, your rate of success will increase.

III. _____

New inputs and options will bring better information that most likely wasn't on your radar and foster creativity, collaboration, and engagement. You, as the leader, must draw information from all sources, thus making sure everyone on your team has their say.

IV. _____

Overconfident leaders tend to lead with positions. They stake out their own viewpoint and try to convince others to see it, accept it, and go along with it. Positions are inflexible and leave little room for collaboration. This leads to confrontations and a winner-takes-all attitude.

V. _____

The higher you are in the organization, the more you'll depend on others to execute your vision and goals.

Winning becomes a team sport. Thus, learning to nurture, empower, and motivate your group is essential, especially when it comes to decision-making.

(Adapted and abridged from <https://hbr.org/2023/03/becoming-more-collaborative-when-you-like-to-be-in-control>)

QUESTÃO 1

In relation to the vocabulary underlined in the first paragraph of the text, we can only affirm that:

- (A) "tally" (paragraph 1) is similar to the word *correspond*.
- (B) "tough" (paragraph 1) can be replaced by the word *shaky*.
- (C) "steep" (paragraph 1) and the word *gradual* are synonyms.
- (D) "pivot" (paragraph 1) and the word *turn* express opposing ideas.
- (E) "calling all the shots" (paragraph 1) is the same as *bringing all to operation*.

QUESTÃO 2

The topics below have been removed from the text. Number these topics in order of appearance to complete the text correctly. Then choose the option that contains the right sequence.

- () Be thorough
- () Be a long-term thinker
- () Seek different perspectives
- () Engage your team in the process
- () Change your position into an option

- (A) (I) (V) (IV) (II) (III)
- (B) (I) (III) (IV) (V) (II)
- (C) (II) (I) (III) (V) (IV)
- (D) (II) (III) (I) (IV) (V)
- (E) (III) (I) (V) (II) (IV)

Read the text below and answer questions 3 and 4.

High-Seas Search for 39 Crewmembers of Capsized Chinese Fishing Vessel

A multinational search is underway in the Indian Ocean for the crew of a Chinese fishing vessel that capsized with a crew of 39 aboard. China's President Xi Jinping has ordered the departments of the Chinese government to launch the search while thanking international participants and welcoming their assistance.

The Australian Maritime Safety Agency (AMSA) was the first to detect the vessel's distress, reporting that they picked up the signal from a distress beacon early on the morning of May 16. An investigation determined that the distress signal was coming from the Chinese fishing vessel *Lu Peng Yuan Yu 028*, owned by PenglaiJinglu Fishery based in Shandong. The vessel's last known position is said to be south of the Maldives with AMSA saying it was approximately 5,000 km (3,100 miles) northwest of Perth, Australia.

A bulk carrier, the Panama-flagged *Navios Taurus* (76,596 dwt) outbound from China to Brazil was in the area. AMSA reports that the bulker reached the area late yesterday. They reported finding an upturned hull and no signs of survivors.

The *Lu Peng Yuan Yu 028* is reported to be 1,400 tons with the vessel's registry with the North Pacific Fisheries Commission showing that it had a maximum crew of 60.

Informed of the incident, President Xi ordered an all-out rescue effort to be launched. A spokesperson for China's Ministry of Foreign Affairs said during his daily briefing today that Xi Jinping asked the Foreign Ministry and relevant diplomatic missions to be in touch with their international counterparts to coordinate the rescue efforts. The resources of Australia, Sri Lanka, the Maldives, Indonesia, and the Philippines are all providing assistance or monitoring the situation.

"Chinese and foreign vessels have arrived at relevant waters and the search and rescue operation is intensively underway. More help is on the way. We will continue to work together with relevant sides to do everything possible to find those who have gone missing", the spokesperson said in response to questions.

CCTV reports that two Chinese vessels were heading to the scene. The Australian Defense Force also sent a Poseidon aircraft to assist with the long-range search. AMSA also reports that other merchant ships and vessels are in the area.

The search was being hampered yesterday by extreme weather conditions according to AMSA, with winds at up to 74 mph and seas at 23 feet. Conditions, however, have abated today with winds between approximately 25 and 30 mph and seas approximately 6 to 10 feet.

(Abridged from <https://www.maritime-executive.com/article/multinational-search-fo...>)

QUESTÃO 3

In relation to the text, we can affirm that the sentence "They reported finding an upturned hull" (paragraph 3), means that the vessel:

- (A) became wedged across the Indian Ocean.
- (B) keeled over in the south of the Maldives.
- (C) got stranded on a shoal.
- (D) was a self-righting boat.
- (E) was partially refloated.

QUESTÃO 4

Read the statements about the text and decide whether they are True (T) or False (F). Then, mark the correct sequence.

- I- Search and rescue operation is intensively afoot.
- II- *Navios Taurus* is a vessel that carries perishable cargoes.
- III- The search for the missing crew members was taken for granted.
- IV- A quest for the crew members was turned down by the Chinese government.
- V- The fishing vessel *Lu Peng Yuan Yu 028* turned turtle in the Indian Ocean.
- VI- Owing to the fact that the rough weather condition has abated, the search was not hindered.

- (A) (T) (T) (F) (F) (T) (F)
- (B) (T) (F) (T) (F) (F) (T)
- (C) (F) (T) (T) (F) (F) (F)
- (D) (F) (F) (T) (F) (F) (T)
- (E) (T) (F) (F) (F) (T) (T)

QUESTÃO 5

Choose the option in which the adverb is in the correct position in the sentence.

- (A) My cousin never would admit that he smoked.
- (B) She annually travels abroad.
- (C) The boss considered briefly the possibility.
- (D) Only later did they realize how much suffering had been caused.
- (E) She admires greatly Oscar Wilde's work.

QUESTÃO 6

Choose the option that completes the paragraph below correctly.

Netflix ___ its long-promised crackdown on password sharing in major markets, including the UK and the US. The move is intended to boost subscribers. But in some countries where it ___, some are reluctant at the expense. In Spain, when it started charging 5.99 Euros (£5.27) for an additional account, it ___ more than a million subscribers in the first three months of the year. The streaming giant ___ that more than 100 million households share passwords despite this being against its official rules. Netflix ___ 233 million subscribers globally.

(Adapted and abridged from <https://www.bbc.com/news/business>)

- (A) started / is already trialed / has lost / previously estimated / had
- (B) starts / had already been trialed / lost / previously estimated / had
- (C) started / was already trialed / has lost / has previously estimated / has
- (D) has started / has already been trialed / lost / had previously estimated / has
- (E) has started / has already been trialed / has lost / had previously estimated / has had

QUESTÃO 7

Mark the option that correctly completes the sentences below.

- I- The wind _____ the crops flat.
- II- Do not _____ in bed all day! Get up and do some work!
- III- The contract _____ open on the table.
- IV- The ducks are not _____ well at the moment.
- V- Bob has been _____ low ever since my aunt asked him for the money he owes me.
- VI- It _____ with you to accept or refuse the suggestion.

- (A) laid / lie / lay / laying / lying / lies
- (B) laid / lay / lay / lying / laying / laying
- (C) lay / lie / laid / laying / laying / laid
- (D) lied / lay / laid / lying / lying / lying
- (E) lay / lie / lied / laying / lying / laid

QUESTÃO 8

Mark the correct option to complete the paragraph below:

Some professors view ChatGPT as a valuable tool that can assist students in producing high-quality content in essays and thesis, while others are concerned about the potential for plagiarism and academic dishonesty. To use ChatGPT ethically, students should use it as a supplement to their writing skills _____ a replacement.

(<https://www.enago.com/thesis-editing/blog/how-do-professors-feel-about-students-using-chatgpt-to-write-their-essays-and-thesis>)

- (A) however
- (B) apart from
- (C) whereas
- (D) rather than
- (E) as long as

QUESTÃO 9

Choose the option in which the use of the article is INCORRECT.

- (A) Sailors are frequently at the sea.
- (B) Angela finally took the position of HR manager.
- (C) Grandpa used to listen to the radio a lot in his younger days.
- (D) Aircraft release CO2 and many other gases into the atmosphere.
- (E) She dreamed of a future where she would have more time for herself.

QUESTÃO 10

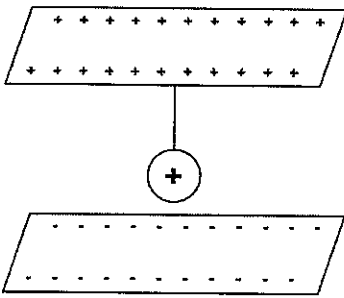
Considering the use of gerund and infinitive, mark the sequence in which all the verbs follow the same pattern of the verb in bold, in the sentence below:

"We will **continue** to work together with relevant sides to do everything possible to find those who have gone missing."

- (A) consider / finish / suggest / allow
- (B) love / regret / start / dislike
- (C) advise / forget / hate / regret
- (D) detest / mind / deny / watch
- (E) see / try / imagine / risk

QUESTÃO 11

Examine a figura abaixo:



Um pêndulo se encontra suspenso por uma corda ideal na placa superior de um capacitor formado por duas placas paralelas conforme exibido na figura acima. A placa superior se encontra carregada positivamente, a placa inferior se encontra carregada negativamente e o campo elétrico gerado e atuante sobre o pêndulo é constante, igual a "E" e possui direção vertical. Sabendo-se que o pêndulo é formado por uma carga puntiforme de massa "M" e carga "q", qual é o período de sua oscilação após sofrer uma rápida perturbação que o faz oscilar em ângulos muito pequenos a ponto de se poder considerar a aproximação $\sin(\theta) \approx \theta$ como verdadeira, considerando a gravidade igual a g?

- (A) $2 \cdot \pi \cdot \left(\frac{1}{L} \cdot \left(g + \frac{E \cdot q}{2 \cdot M}\right)\right)^{-\frac{1}{2}}$
 (B) $2 \cdot \pi \cdot \left(\frac{1}{L} \cdot \left(g - \frac{E \cdot q}{2 \cdot M}\right)\right)^{-\frac{1}{2}}$
 (C) $2 \cdot \pi \cdot \left(\frac{1}{L} \cdot \left(g + \frac{E \cdot q}{M}\right)\right)^{-\frac{1}{2}}$
 (D) $2 \cdot \pi \cdot \left(\frac{1}{L} \cdot \left(g - \frac{E \cdot q}{M}\right)\right)^{-\frac{1}{2}}$
 (E) $2 \cdot \pi \cdot \left(\frac{1}{L} \cdot \left(-g + \frac{E \cdot q}{2 \cdot M}\right)\right)^{-\frac{1}{2}}$

QUESTÃO 12

Deseja-se projetar um conversor de código binário convencional de 4 bits para código de Gray. As entradas em binário são representadas por (b_3, b_2, b_1, b_0) , b_0 é o bit menos significativo e b_3 o bit mais significativo. Qual das expressões booleanas abaixo representa o 2º bit mais significativo da saída?

- (A) $\overline{b_2} \cdot b_3 + \overline{b_3} \cdot b_2$
 (B) $\overline{b_1} \cdot b_2 + \overline{b_2} \cdot b_1$
 (C) $b_1 \cdot (\overline{b_2} \cdot b_3 + \overline{b_3} \cdot b_2)$
 (D) $b_1 \cdot (\overline{b_1} \cdot b_2 + \overline{b_2} \cdot b_1)$
 (E) $\overline{b_1} \cdot \overline{b_0} \cdot b_2 \cdot b_3$

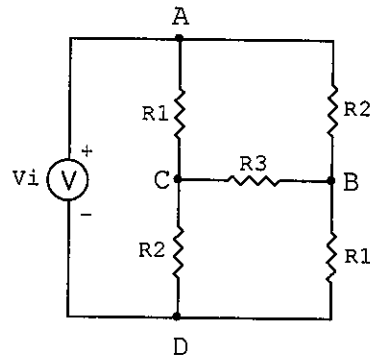
QUESTÃO 13

Uma carga elétrica puntiforme de valor "Q" e de massa "M" se encontra a uma distância de "D" de uma placa de metal perfeitamente condutora e com carga total nula, de formato perfeitamente plano e de grandes dimensões. A placa pode ser considerada um plano de espessura desprezível e área infinita. Sabe-se que, pelo fenômeno de indução eletromagnética, a carga se aproxima da placa. Considerando-se um meio com constante eletrostática "K", a velocidade da carga quando esta se encontrar a "D/2" da placa será igual a:

- (A) $Q \cdot \sqrt{\frac{K}{M \cdot D}}$
 (B) $Q \cdot \sqrt{\frac{K}{2M \cdot D}}$
 (C) $Q \cdot \sqrt{\frac{K}{4M \cdot D}}$
 (D) $Q \cdot \sqrt{\frac{3K}{8M \cdot D}}$
 (E) $Q \cdot \sqrt{\frac{K}{8M \cdot D}}$

QUESTÃO 14

Observe o circuito abaixo.



Dado que $V_i = 13 \text{ V}$, $R_1 = 10 \Omega$, $R_2 = 20 \Omega$ e $R_3 = 30 \Omega$, calcule o valor de V_{AB} e a Pot (AB) respectivamente, e assinale a opção correta.

- (A) 8 V e 3,2 W
 (B) 10 V e 5,0 W
 (C) 4 V e 0,8 W
 (D) 8 V e 0,4 W
 (E) 10 V e 0,5 W

QUESTÃO 15

Analise as afirmativas abaixo, sobre teoria de circuitos, e assinale a opção correta.

- I- Pela Lei de Ohm, a corrente é proporcional à resistência e a tensão é inversamente proporcional à resistência de um circuito.
 - II- Pela Lei de Kirchhoff para corrente, a soma das correntes que entram em um nó tem de ser igual à soma das correntes que deixam esse mesmo nó.
 - III- O Teorema de Norton afirma que qualquer circuito de corrente contínua linear bilateral de dois terminais pode ser substituído por um circuito equivalente formado por uma fonte de corrente e um resistor em série.
 - IV- O Teorema de Thévenin afirma que qualquer circuito de corrente contínua de dois terminais pode ser substituído por um circuito equivalente que consista somente de uma fonte de tensão e de um resistor em paralelo.
- (A) Apenas a afirmativa I está correta.
(B) Apenas a afirmativa II está correta.
(C) Apenas as afirmativas I e II estão corretas.
(D) Apenas as afirmativas II, III e IV estão corretas.
(E) Apenas as afirmativas I, III e IV estão corretas.

QUESTÃO 16

Em um experimento aleatório, são empregadas quatro urnas, cada uma com seis bolas. Duas dessas urnas (tipo 1) têm três bolas brancas, uma outra (tipo 2) têm duas bolas brancas e a última urna (tipo 3) tem seis bolas brancas. Escolhendo uma urna ao acaso e dela retirando uma bola, qual é a probabilidade de a urna escolhida ser do tipo 1, sabendo-se que a bola sorteada é branca?

- (A) 0,250
(B) 0,429
(C) 0,500
(D) 0,583
(E) 0,742

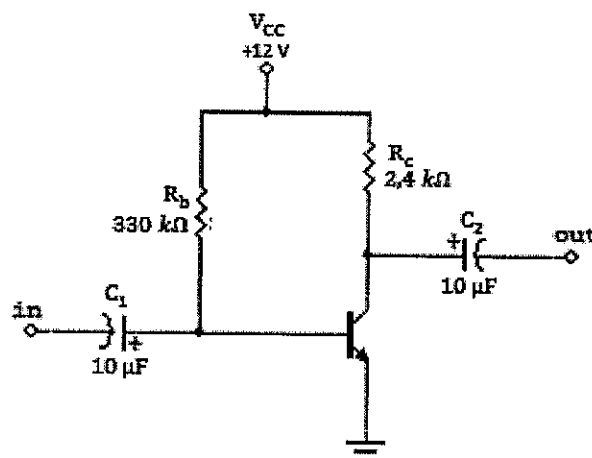
QUESTÃO 17

Determine a resposta $y(t)$ de um sistema linear invariante no tempo descrito pela equação $y''(t) + 5y'(t) + 6 = x(t)$, caso a entrada seja $x(t) = e^{-5t}u(t)$ e todas as condições iniciais sejam nulas, e assinale a opção correta.

- (A) $y(t) = (0,167e^{-5t} + 0,333e^{-2t} - 0,5e^{-3t})u(t)$
(B) $y(t) = (-0,2e^{-5t} - 0,5e^{-2t} + 0,333e^{-3t})u(t)$
(C) $y(t) = (0,167e^{-5t} - e^{-2t} + 0,333e^{-3t})u(t)$
(D) $y(t) = (e^{-5t} - 0,2e^{-2t} + 3e^{-3t})u(t)$
(E) $y(t) = (-0,167e^{-5t} - e^{-2t} + 3e^{-3t})u(t)$

QUESTÃO 18

Analise o circuito abaixo.



Para um transistor bipolar de junção com $\beta = 50$, calcule o valor de V_{CB} do circuito e assinale a opção correta.

- (A) 0,7 V
(B) 7,89 V
(C) -7,89 V
(D) 7,19 V
(E) -7,19 V

QUESTÃO 19

A demanda "D" de energia elétrica pode ser expressa em função do custo "C" da energia: $D(C) = 1 + C$. Por sua vez, o custo "C" da energia é determinado pela produtividade "P" de determinada hidrelétrica: $C(P) = \frac{P}{3} + \ln(P)$. Além disso, a produtividade da hidrelétrica é consequência da altura "H" do reservatório: $P(H) = H + H^2$. Uma chuva enche o reservatório de forma que a altura se torna descrita pelo tempo segundo a equação $H(t) = 10 \cdot t + t^3$. Qual é a taxa de variação da demanda de energia elétrica em relação ao tempo para t igual a 1 durante a referida chuva?

- (A) $\frac{13}{51}$
(B) $\frac{1615}{33}$
(C) $\frac{4485}{44}$
(D) $\frac{1543}{242}$
(E) $\frac{16159}{330}$

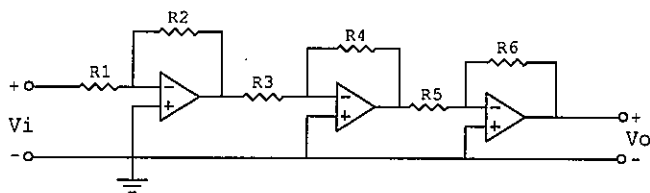
QUESTÃO 20

O espectro de um sinal analógico se concentra entre as frequências de 1 KHz e 5 KHz. Esse sinal é amostrado a uma taxa 50% superior à taxa de Nyquist. Em seguida, esse sinal é codificado em PCM, utilizando 1024 níveis. A taxa de pulsos binários (em bits por segundo) na saída do codificador é dada por:

- (A) 100 kbits/s
- (B) 110 kbits/s
- (C) 150 kbits/s
- (D) 165 kbits/s
- (E) 200 kbits/s

QUESTÃO 21

Analise o circuito abaixo.

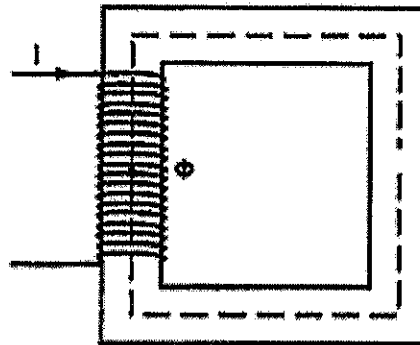


Supondo que os amplificadores operacionais são ideais, determine o ganho do circuito e assinale a opção correta.

- (A) $\frac{R_6 R_4 R_2}{R_5 R_3 R_1}$
- (B) $\frac{R_5 R_3 R_1}{R_6 R_4 R_2}$
- (C) $-\frac{R_6 R_4 R_2}{R_5 R_3 R_1}$
- (D) $-\frac{R_5 R_3 R_1}{R_6 R_4 R_2}$
- (E) $\frac{R_1 R_3 R_6}{R_2 R_4 R_5}$

QUESTÃO 22

Analise a figura abaixo.



O núcleo ferromagnético representado na figura acima é formado por um único material e tem as seguintes características:

- Comprimento médio do material: 0,5 metros;
- Permeabilidade $\mu = 10 \mu_0$;
- Área da seção transversal 20 dm²;
- Corrente $i = 1$ A; e
- Fluxo magnético: $\Phi = 500 \mu_0 Wb$

Com base nessas informações, calcule a densidade do fluxo do ferromagnético, aproximadamente, e assinale a opção correta.

- (A) $3,14 \times 10^{-3} T$
- (B) $1,26 \times 10^{-4} T$
- (C) 1,26T
- (D) $3,14 \times 10^{-7} T$
- (E) $1,26 \times 10^{-2} T$

QUESTÃO 23

Uma partícula de radiação α de carga "+q" (em Coulomb) se encontra imersa em um campo elétrico variável, e um cientista observou que a trajetória dessa partícula poderia ser parametrizada em função do tempo em segundos. O campo elétrico pode ser descrito pela equação:

$$E = (x^3 - y^2).i + (y^2 - z^3).j + (z^2 - x^3).k$$

Onde i , j e k são, respectivamente, os vetores unitários referentes aos eixos x , y e z respectivamente. Por sua vez, a trajetória da partícula (com cada uma das componentes representadas em metros) pode ser parametrizada em função do tempo " t " em segundos conforme a equação $P(t) = p_x(t).i + p_y(t).j + p_z(t).k$, onde:

$$\begin{cases} p_x(t) = (t-1)^8 + (t-1)^6 + e^{(t-1)^2} \\ p_y(t) = t^2 - 2t + 1 \\ p_z(t) = (t-1)^4 \end{cases}$$

Em um meio de constante eletrostática igual a " K " V/m, o valor do trabalho da força elétrica entre os instantes $t = 0s$ e $t = 2s$, em J, é igual a:

- (A) $5K \cdot \frac{q^2}{2} J$
- (B) $3K \cdot \frac{q^2}{8} J$
- (C) $5K \cdot \frac{q^2}{6} J$
- (D) $2K \cdot \frac{q^2}{3} J$
- (E) $0J$

QUESTÃO 24

Na modulação em amplitude, a vantagem de utilização de um detector simples tem como contrapartida o desperdício de potência da portadora. Considerando o caso especial de modulação por tom, em que o sinal modulante $m(t)$ é um sinal senoidal, calcule a eficiência máxima de transmissão, e assinale a opção correta.

- (A) 20,00%
- (B) 25,00%
- (C) 33,33%
- (D) 50,00%
- (E) 75,00%

QUESTÃO 25

Sejam X e Y variáveis aleatórias contínuas, com função densidade de probabilidade conjunta dada por:

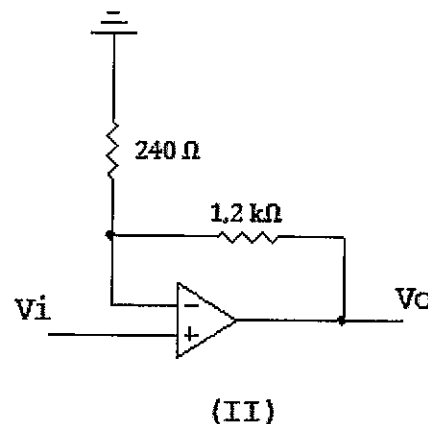
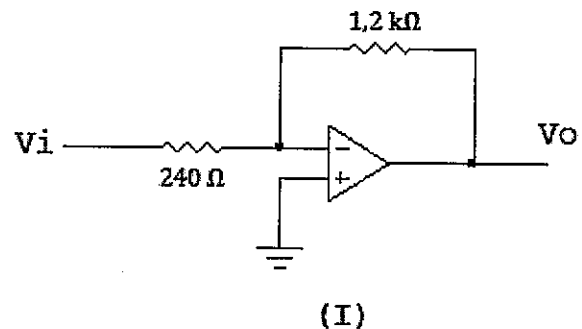
$$f(x,y) = \begin{cases} a(2x+y), & 2 < x < 6; 0 < y < 5 \\ 0 & \text{caso contrário} \end{cases}$$

O valor da constante a e da probabilidade $P(3 < X < 4, Y > 2)$ são, respectivamente:

- (A) $\frac{3}{20} e \frac{1}{210}$
- (B) $\frac{1}{210} e \frac{3}{20}$
- (C) $\frac{1}{20} e \frac{3}{20}$
- (D) $\frac{3}{20} e \frac{1}{20}$
- (E) $\frac{1}{70} e \frac{1}{20}$

QUESTÃO 26

Analise os circuitos amplificadores abaixo.

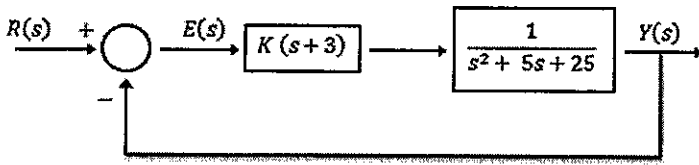


A tensão de saída (V_o) resultante nos circuitos amplificadores (I) e (II) para uma entrada $V_i = 3V$ será, respectivamente:

- (A) 15V e 18V
- (B) -15V e 18V
- (C) -15V e 12V
- (D) 15V e 12V
- (E) 1,5V e -18V

QUESTÃO 27

Examine a figura abaixo.



Um controlador PD é usado para controlar uma planta conforme a figura acima. Determine o erro estacionário do sistema para uma entrada degrau unitário, em função de K, e assinale a opção correta.

- (A) $\frac{25}{25+3K}$
- (B) $\frac{3K(25+3K)}{625}$
- (C) $\frac{3K}{25+3K}$
- (D) $\frac{3K}{25}$
- (E) $\frac{25}{3K}$

QUESTÃO 28

Com relação aos Transistor Bipolar de Junção (TBJ), analise as afirmativas abaixo e assinale a opção correta.

- I- O transistor é um dispositivo semicondutor de três camadas que consiste em duas camadas de material do tipo *n* e uma do tipo *p*, ou duas do tipo *p* e uma do tipo *n*, intercaladas.
 - II- O TBJ possui três camadas: emissor, base e coletor. A camada do emissor é fortemente dopada, enquanto que a base e o coletor têm dopagem leve.
 - III- A seta do símbolo gráfico define o sentido da corrente de emissor (fluxo convencional) através do dispositivo. Quando a seta é no sentido da base para o emissor, significa que o transistor é *pnp*. Quando é do emissor para a base, é *npn*.
- (A) Apenas a afirmativa I está correta.
 - (B) Apenas a afirmativa II está correta.
 - (C) Apenas as afirmativas I e II estão corretas.
 - (D) Apenas as afirmativas I e III estão corretas.
 - (E) Apenas as afirmativas II e III estão corretas.

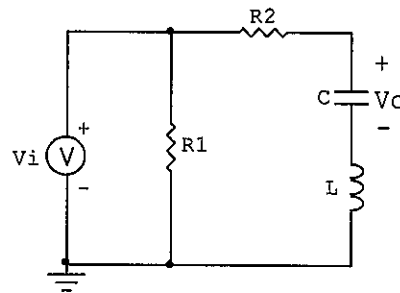
QUESTÃO 29

Assinale a opção INCORRETA com relação ao conceito de Termistores.

- (A) O termistor é um resistor sensível à temperatura.
- (B) Um termistor pode ter regiões de coeficientes de temperatura positivas ou negativas.
- (C) A mudança de resistência se deve a efeitos externos de aquecimento ou resfriamento.
- (D) O termistor não é um dispositivo de junção e é composto de germânio, silício ou uma mistura de óxido (cobalto, níquel, estrôncio ou manganês).
- (E) A variação de resistência de um termistor é de 3 a 5% por cada grau Celsius de variação na temperatura.

QUESTÃO 30

Analise o circuito abaixo.



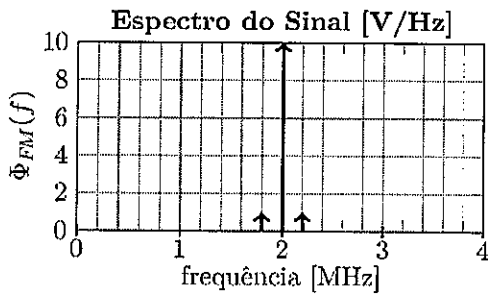
Determine a função transferência no Domínio de Laplace,

$\frac{V_o(s)}{V_i(s)}$, do circuito acima e assinale a opção correta.

- (A) $\frac{1}{LCs^2 + CR_2s + 1}$
- (B) $\frac{Cs}{LCs^2 + CR_2s + 1}$
- (C) $\frac{1}{s^2 + LR_2s + 1}$
- (D) $\frac{1}{s^2 + CR_1s + 1}$
- (E) $\frac{sC}{LCs^2 + CR_1s + 1}$

QUESTÃO 31

Analise a figura e a tabela abaixo.



β (rd)	$J_n(\beta)$			
	J0	J1	J2	J3
0	1	0	0	0
0,2	0,9900	0,1000	0	0
0,5	0,9384	0,2422	0,0308	0,002
1	0,7651	0,4400	0,1149	0,0195
1,5	0,5118	0,5579	0,2320	0,0609

Uma portadora é modulada em frequência por um sinal $m(t) = \cos(\omega_m t)$, com índice de modulação baixo e aproximadamente igual a 0,2, resultando no espectro de frequências de banda estreita apresentado na figura acima.

Com base nos valores aproximados da Função de Bessel de primeira espécie dados na tabela acima e no espectro dado na figura, determine a frequência f_c da portadora, sua amplitude A e a frequência do sinal modulante f_m e assinale a opção correta.

Dados: $\varphi_{FM}(t) = A \sum_{n \in \mathbb{Z}} J_n(\beta) \cos((\omega_c + n\omega_m)t)$
 $\omega_c = 2\pi f_c$ e $\omega_m = 2\pi f_m$

- (A) $f_c = 2,0$ MHz; $A = 10,1$ V, $f_m = 100$ kHz
- (B) $f_c = 1,8$ MHz; $A = 10,0$ V, $f_m = 100$ kHz
- (C) $f_c = 2,0$ MHz; $A = 20,2$ V, $f_m = 200$ kHz
- (D) $f_c = 2,0$ MHz; $A = 10,0$ V, $f_m = 200$ kHz
- (E) $f_c = 1,8$ MHz; $A = 10,2$ V, $f_m = 200$ kHz

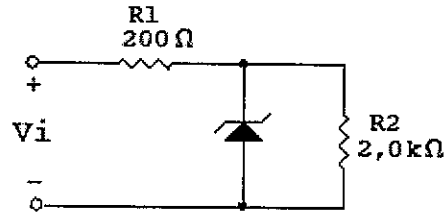
QUESTÃO 32

Suponha que X seja uma variável aleatória contínua, uniformemente distribuída entre a e 5a. A razão entre a variância de X e o quadrado do valor esperado fornece uma fração irredutível na forma n/m. O valor de n+m é dado por:

- (A) 27
- (B) 28
- (C) 29
- (D) 30
- (E) 31

QUESTÃO 33

Analise a figura abaixo.

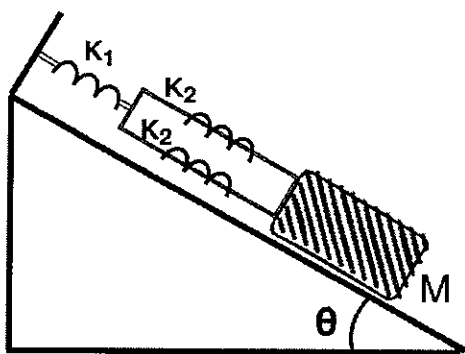


O Diodo Zener utilizado tem tensão de ruptura $V_z = 20V$ e corrente reversa de ruptura $I_z = 60mA$. Determine o valor mínimo de V_i que manterá o diodo Zener "ligado", e assinale a opção correta.

- (A) 20 V
- (B) 22 V
- (C) 34 V
- (D) 220 V
- (E) 340 V

QUESTÃO 34

Examine a figura abaixo:

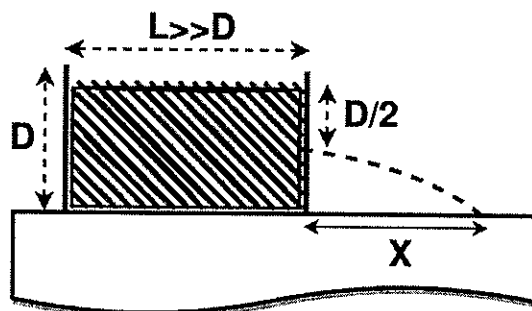


Um bloco de massa M se encontra sobre uma cunha sem atrito inclinada em um ângulo igual a θ . Um conjunto de quatro molas sustenta o bloco, que se encontra em repouso. O conjunto de molas é formado por uma mola de constante elástica k_1 em série com um conjunto de duas molas de constante k_2 em paralelo. Qual é o valor da energia potencial elástica acumulada na mola?

- (A) $\frac{(M.g.\text{sen}(\theta))^2}{2} \cdot \left(\frac{2}{2.k_1+k_2}\right)$
- (B) $\frac{(M.g.\text{cos}(\theta))^2}{2} \cdot \left(\frac{2}{2.k_1+k_2}\right)$
- (C) $\frac{(M.g.\text{sen}(\theta))^2}{2} \cdot \left(\frac{1}{k_1} + \frac{1}{2.k_2}\right)$
- (D) $\frac{(M.g.\text{cos}(\theta))^2}{2} \cdot \left(\frac{1}{k_1} + \frac{1}{2.k_2}\right)$
- (E) $\frac{(M.g.\text{sen}(\theta))^2}{2} \cdot \left(\frac{2}{k_1+2.k_2}\right)$

QUESTÃO 35

Examine a figura abaixo:

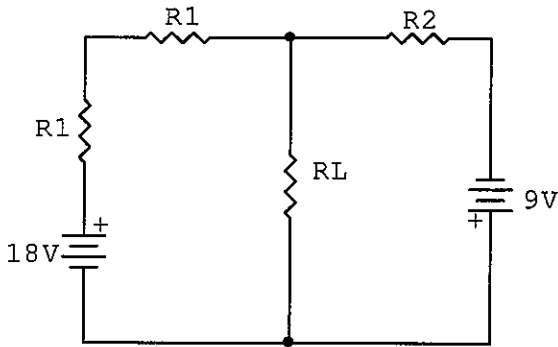


Um reservatório de altura D e largura L é representado na figura acima e está cheio com um fluido sem viscosidade. Um pequeno furo na metade da altura do reservatório é realizado e o líquido nele contido é lançado para fora até colidir com o solo a uma distância igual a X do reservatório conforme exibido na figura acima. Considerando-se que L é muito maior que D (e que, conseqüentemente, a altura do líquido não varia com o escoamento), calcule X em função dos parâmetros fornecidos e da gravidade "g", desconsiderando a resistência do ar, e assinale a opção correta.

- (A) $\frac{D}{4}$
- (B) $\frac{D}{2}$
- (C) $\frac{D}{(2)^{\frac{1}{2}}}$
- (D) D
- (E) $(2)^{\frac{1}{2}} \cdot D$

QUESTÃO 36

Analise o circuito abaixo.



Dado que $R_1 = 4 \Omega$ e $R_2 = 8 \Omega$, assinale a opção que apresenta o valor de R_L para que ocorra a máxima transferência de potência para esse resistor e o valor da potência máxima, respectivamente.

- (A) 4Ω e $1,26 W$
- (B) 2Ω e $2,52 W$
- (C) 2Ω e $1,26 W$
- (D) 4Ω e $5,06 W$
- (E) 3Ω e $3,78 W$

QUESTÃO 37

Um cientista estudava a trajetória de uma partícula subatômica explosiva. Ele conseguiu calcular a trajetória da partícula ao parametrizar o raio e o ângulo em função do tempo t para instantes $t > 0$, conforme descrito a seguir:

$$R(t) = t^2$$

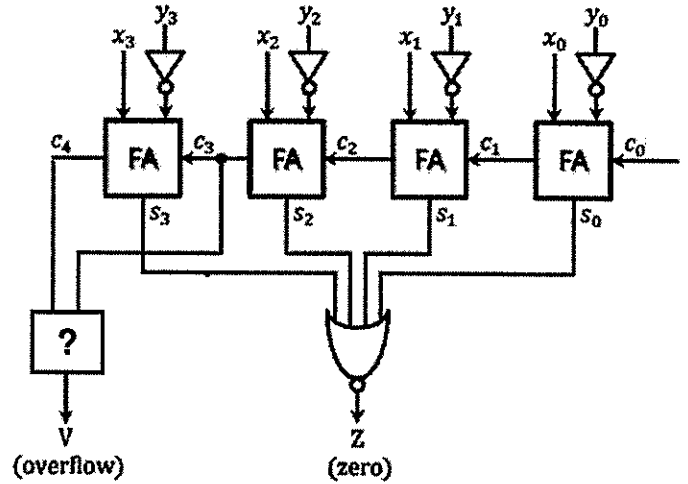
$$\theta(t) = t$$

Seja $P(t)$ a posição da partícula em função do tempo, $R(t)$ representa a distância de P da origem (ou seja: $\|P(t)\|_2 = R(t)$) e $\theta(t)$ representa o ângulo $P\hat{O}X$ em radianos com X representando o vetor unitário das abcissas com sentido positivo. Qual a quantidade de vezes em que a partícula cruza com o eixo X das abcissas no referido sistema para $R(t) < 100$?

- (A) 2
- (B) 3
- (C) 4
- (D) 5
- (E) 6

QUESTÃO 38

Deseja-se implementar um módulo de subtração entre dois números de 4 bits expressos em complemento de dois a partir de módulos de adição de 1 bit (*full adders*) conforme representado na figura abaixo.

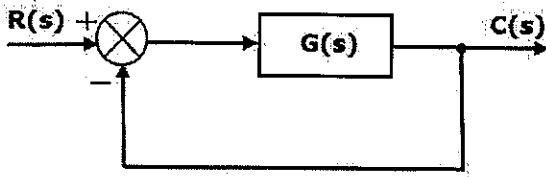


Os blocos FA representam tais módulos de adição, As parcelas são representadas pelas duas entradas em sua parte superior. À direita, há o *carry in* de FA e à esquerda, o *carry out*. As saídas, representadas por S_0, S_1, S_2 e S_3 , encontram-se na parte inferior dos blocos. O módulo representado por "?" gera uma saída igual $V=1$ sempre que há *overflow* e foi propositalmente omitido. Acerca desse circuito, assinale a opção INCORRETA.

- (A) A entrada C_0 deve ser conectada em nível lógico 1.
- (B) Se $X = 4$ e $Y = -4$ então $V = 1$.
- (C) O bloco "?" para calcular V pode ser representado por um XOR entre C_4 e C_3 .
- (D) Z tem o objetivo de detectar resultados nulos.
- (E) X e Y podem ser no mínimo e no máximo iguais a, respectivamente, -2^3 e 2^3 .

QUESTÃO 39

Examine a figura abaixo.



Dado o sistema de realimentação unitária acima, com função de transferência de malha aberta dada por $G(s) = \frac{K}{s(s+1)(s+2)}$, determine o valor de K para que dois polos do sistema realimentado sejam puramente imaginários (parte real nula), e assinale a opção correta.

- (A) 4
- (B) 5
- (C) 6
- (D) 7
- (E) 8

QUESTÃO 40

Em determinado instante, um drone que percorre uma trajetória tridimensional se encontra no ponto $(X, Y, Z) = (1m, 2m, 3m)$. Sabe-se que sua velocidade, nesse instante, pode ser descrita pelo vetor $v = \left(\frac{0,2m}{s}, \frac{0,3m}{s}, \frac{0,4m}{s}\right)$. Além disso, a temperatura do ar em função da posição espacial, em °C, no ambiente pode ser descrita por uma função $R^3 \rightarrow R$ representada por: $T(x, y, z) = \left(1^\circ \frac{C}{m^2}\right) \cdot (x - 3m)^2 + \left(1^\circ \frac{C}{m^2}\right) \cdot (y - 4m)^2 + \left(1^\circ \frac{C}{m^2}\right) \cdot (z - 5m)^2 + 15^\circ C$. Nesse exato momento descrito, qual é o valor do módulo da taxa de variação de temperatura (em °C/s) à qual o drone se submete?

- (A) 1,2 °C/s
- (B) 2,0 °C/s
- (C) 2,4 °C/s
- (D) 3,0 °C/s
- (E) 3,6 °C/s

QUESTÃO 41

Analise as afirmativas abaixo, sobre teoria dos circuitos, e assinale a opção correta.

- I- O fotodiodo é um dispositivo semicondutor de junção p-n cuja região de operação é limitada à condição reversa.
- II- A célula fotocondutiva é um dispositivo semicondutor de dois terminais cuja resistência entre eles varia com a intensidade de luz incidente, de forma não linear.
- III- Os diodos emissores de infravermelho (IV) são dispositivos de arseneto de gálio em estado sólido que emitem um feixe de fluxo radiante quando estão diretamente polarizados.

- (A) Apenas a afirmativa I está correta.
- (B) Apenas a afirmativa II está correta.
- (C) Apenas as afirmativas I e II estão corretas.
- (D) Apenas as afirmativas I e III estão corretas.
- (E) Apenas as afirmativas II e III estão corretas.

QUESTÃO 42

Por convenção, considerou-se que uma carga elétrica puntiforme "q" se situa na origem de um sistema cartesiano tridimensional – ou seja: na posição (0, 0, 0). Qual o valor do fluxo do campo elétrico gerado sobre o quadrilátero de vértices (1m, 1m, 0), (1m, 1m, 1m), (0, 1m, 1m), (0, 1m, 0)? (considere a permissividade elétrica igual a ϵ).

- (A) $\frac{q}{24\epsilon}$
- (B) $\frac{q}{12\epsilon}$
- (C) $\frac{q}{8\epsilon}$
- (D) $\frac{q}{6\epsilon}$
- (E) $\frac{q}{2\epsilon}$

QUESTÃO 43

Determine as raízes características e a estabilidade assintótica do sistema linear invariante no tempo descrito pela equação $(y'(t) + 1)(y''(t) + 4y'(t) + 10) = x(t)$, e assinale a opção correta.

- (A) $-1, -2 \pm 2j$, assintoticamente estável,
- (B) $-1, -2 \pm 2j$, marginalmente estável,
- (C) $-1, -2 \pm \sqrt{6}j$, marginalmente estável,
- (D) $-1, -2 \pm \sqrt{6}j$, assintoticamente estável,
- (E) $-1, -2 \pm \sqrt{6}j$, instável,

QUESTÃO 44

Com relação aos amplificadores operacionais (AmpOp), analise as afirmativas abaixo e assinale a opção correta.

- I- Um amplificador operacional é um amplificador diferencial de ganho muito alto com impedância de entrada muito alta e impedância de saída baixa.
- II- Um amplificador operacional básico tem duas entradas (inversora e não inversora) e uma saída. A saída tem a mesma polaridade (mesma fase) da entrada, independentemente da entrada aplicada.
- III- Se um sinal de entrada é aplicado a uma das entradas com a outra conectada ao terra, a operação é chamada de "entrada simples".

- (A) Apenas a afirmativa I está correta.
- (B) Apenas a afirmativa II está correta.
- (C) Apenas as afirmativas I e II estão corretas.
- (D) Apenas as afirmativas I e III estão corretas.
- (E) Apenas as afirmativas II e III estão corretas.

QUESTÃO 45

A proliferação de 3 culturas diferentes de fungos mortais (α , β e γ) foi estudada por um epidemiologista em uma base temporal diária. Sendo "n" o índice que determina o dia do experimento, foi observado que:

- O fungo α possui crescimento independente;
- O fungo β cresce menos se α se desenvolver, por serem "concorrentes" e consumirem os mesmos tipos de substâncias presentes no ambiente; e
- O fungo γ tinha seu crescimento favorecido por α (devido à produção de substâncias a ele benéficas) e prejudicado por β , que dele se alimentava.

A modelagem dessa dinâmica é descrita por:

$$\alpha(n+1) = M \cdot \alpha(n)$$

$$\beta(n+1) = -\alpha(n) + N \cdot \beta(n)$$

$$\gamma(n+1) = \alpha(n) - \beta(n) + P \cdot \gamma(n)$$

Onde os coeficientes "M", "N" e "P" são desconhecidos pelo cientista e são positivos. Se qualquer um dos fungos se proliferar indefinidamente pelo mundo, uma grave hecatombe biológica assolará as estruturas globais. Sendo assim, em qual das cinco hipóteses apresentadas abaixo, de combinações de valores para "M", "N" e "P", NÃO existe tal risco?

- (A) $M = 0,5$, $N = 0,2$ e $P = 1,1$
- (B) $M = 0,9$, $N = 2$ e $P = 0,001$
- (C) $M = 0,3$, $N = 0,333$ e $P = 0,09$
- (D) $M = 0,333$, $N = 2,5$ e $P = 0,09$
- (E) $M = 0,2$, $N = 1,5$ e $P = 0,8$

QUESTÃO 46

Dois móveis (P_1 e P_2) descrevem trajetórias bidimensionais parametrizadas em função do tempo ($t > 0$) que são descritas, respectivamente, pelas equações $P_1(t) = t^{2023} \cdot i - 2 \cdot t^{2022} \cdot j$ e $P_2(t) = (t^{2023} + t^{2022}, 3 \cdot t^{2022})$, onde i e j são, respectivamente, os vetores direção relativos aos eixos "X" e "Y". A linha que liga a origem ao móvel P_1 será ortogonal à linha que liga a origem ao móvel P_2 para o instante de tempo igual a:

- (A) 1
- (B) 2
- (C) 3
- (D) 4
- (E) 5

QUESTÃO 47

Um tenente desejava projetar um simples somador de 1 bit com as seguintes entradas: um bit para representar a primeira parcela, outro bit para representar a segunda parcela, uma saída para representar o *carry out* e uma outra saída para representar o resultado. Porém, o tenente possuía apenas portas lógicas do tipo NAND de duas entradas. Felizmente, ele estudou eletrônica digital e isso não o impediu: o módulo foi feito com o mínimo de portas disponíveis possível. Sendo assim, assinale a opção que apresenta a quantidade de portas NAND empregadas.

- (A) 5
- (B) 6
- (C) 7
- (D) 8
- (E) 9

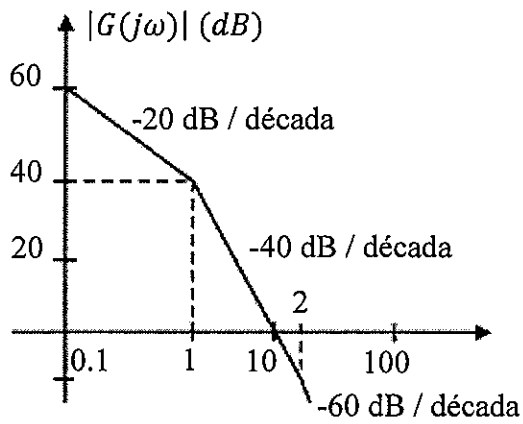
QUESTÃO 48

No projeto de circuitos digitais sequenciais, uma das primeiras escolhas de projeto é acerca do tipo de máquina de estado que será implementada: Mealey ou Moore. Sobre as diferenças entre os dois tipos de solução, assinale a opção correta.

- (A) Na máquina de Mealey, um maior número de estados é necessário.
- (B) Nas máquinas de Moore, as saídas do sistema são síncronas em relação aos estados.
- (C) A saída das máquinas de Mealey dependem unicamente das entradas.
- (D) As máquinas de Moore são ideais para sistemas que precisam de respostas mais rápidas.
- (E) Ambas as máquinas mudam de saída apenas após o próximo pulso de *clock*.

QUESTÃO 49

Examine a figura abaixo,

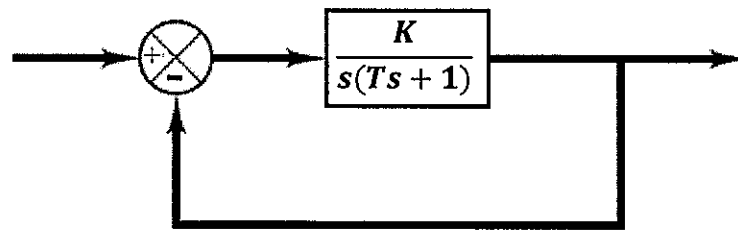


Considere o diagrama de bode aproximado pelas curvas assíntotas abaixo. A função de transferência $G(s)$ correspondente ao diagrama é:

- (A) $\frac{1}{(s+1)(s+20)}$
- (B) $\frac{1}{s(s+1)(s+20)}$
- (C) $\frac{100}{s(s+1)(s+20)}$
- (D) $\frac{100}{s(s+1)(0,05s+1)}$
- (E) $\frac{100}{(s+1)(0,05s+1)}$

QUESTÃO 50

Examine a figura abaixo.



Ao ser submetido a uma entrada degrau unitário, o sistema de realimentação ilustrado na figura acima apresenta tempo de pico dado por $2\sqrt{3}s$ e coeficiente de amortecimento dado por $0,5$. Utilizando os dados fornecidos, determine o valor dos parâmetros K e T , respectivamente, e assinale a opção correta.

Dados:

$$\text{Tempo de pico: } t_p = \frac{\pi}{\omega_n \sqrt{1-\varepsilon^2}}; \text{ e}$$

considere $\pi \approx 3$

- (A) 1 e 2
- (B) 2 e 1
- (C) 1 e 1
- (D) 0,5 e 1
- (E) 1 e 0,5


RASCUNHO PARA REDAÇÃO

TÍTULO:

1	
2	
3	
4	
5	
6	
7	
8	
9	
10	
11	
12	
13	
14	
15	
16	
17	
18	
19	
20	
21	
22	
23	
24	
25	
26	
27	
28	
29	
30	

INSTRUÇÕES GERAIS AO CANDIDATO

- 1 - Verifique se a prova recebida e a folha de respostas são da mesma cor (consta no rodapé de cada folha a cor correspondente) e se não faltam questões ou páginas. Escreva e assinhe corretamente seu nome, coloque seu número de inscrição e o dígito verificador (DV) apenas nos locais indicados;
- 2 - O tempo para a realização da prova será de **4 (quatro) horas**, incluindo o tempo necessário à redação e à marcação das respostas na folha de respostas, e não será prorrogado;
- 3 - Só inicie a prova após ser autorizado pelo Fiscal, interrompendo sua execução quando determinado;
- 4 - A redação deverá ser uma dissertação com ideias coerentes, claras e objetivas, escritas em língua portuguesa e escrita em letra legível. Caso seja utilizada letra de forma (caixa alta), as letras maiúsculas deverão receber o devido realce. Deverá ter, no mínimo, 20 linhas contínuas, considerando o recuo dos parágrafos, e no máximo 30 linhas. Não poderá conter qualquer marca identificadora ou assinatura no espaço destinado à redação, o que implicará a atribuição de nota zero à redação;
- 5 - Iniciada a prova, não haverá mais esclarecimentos. O candidato somente poderá deixar seu lugar, devidamente autorizado pelo Supervisor/Fiscal, para se retirar definitivamente do recinto de prova ou, nos casos abaixo especificados, devidamente acompanhado por militar designado para esse fim:
 - atendimento médico por pessoal designado pela MB;
 - fazer uso de banheiro; e
 - casos de força maior, comprovados pela supervisão do certame, sem que aconteça saída da área circunscrita para a realização da prova.
 Em nenhum dos casos haverá prorrogação do tempo destinado à realização da prova; em caso de retirada definitiva do recinto de prova, esta será corrigida até onde foi solucionada;
- 6 - Use caneta esferográfica preta ou azul e de material transparente para preencher a folha de respostas;
- 7 - Confira nas folhas de questões as respostas que você assinalou como corretas antes de marcá-las na folha de respostas. Cuidado para não marcar duas opções para uma mesma questão na folha de respostas (a questão será perdida);
- 8 - Para rascunho, use os espaços disponíveis nas folhas de questões, mas só serão corrigidas as respostas marcadas na folha de respostas;
- 9 - O tempo mínimo de permanência dos candidatos no recinto de aplicação de provas é de **120 minutos**.
- 10 - Será eliminado sumariamente do processo seletivo/concurso e suas provas não serão levadas em consideração o candidato que:
 - a) der ou receber auxílio para a execução da Prova escrita objetiva de conhecimentos profissionais e da Redação;
 - b) utilizar-se de qualquer material não autorizado;
 - c) desrespeitar qualquer prescrição relativa à execução da Prova e da Redação;
 - d) escrever o nome ou introduzir marcas identificadoras noutro lugar que não o determinado para esse fim; e
 - e) cometer ato grave de indisciplina.
- 11 - Instruções para o preenchimento da folha de respostas:
 - a) use caneta esferográfica azul ou preta;
 - b) escreva seu nome em letra de forma no local indicado;
 - c) assinhe seu nome no local indicado;
 - d) no campo inscrição DV, escreva seu número de inscrição nos retângulos, da esquerda para a direita, um dígito em cada retângulo. Escreva o dígito correspondente ao DV no último retângulo. Após, cubra todo o círculo correspondente a cada número. Não amasse, dobre ou rasgue a folha de respostas, sob pena de ser rejeitada pelo equipamento de leitura ótica que a corrigirá; e
 - e) só será permitida a troca de folha de respostas até o início da prova, por motivo de erro no preenchimento nos campos nome, assinatura e número de inscrição, sendo de inteira responsabilidade do candidato qualquer erro ou rasura na referida folha de respostas, após o início da prova.
- 12 - Procure preencher a folha com atenção de acordo com o exemplo abaixo:



Nome: **ROBERTO SILVA**

Assinatura: **Roberto Silva**

Instruções de Preenchimento:

- * Não rasure esta folha.
- * Não rabisque nas áreas de respostas.
- * Faça marcas sólidas nos círculos.
- * Não use canetas que borrem o papel.

ERRADO: 