

MARINHA DO BRASIL
SERVIÇO DE SELEÇÃO DO PESSOAL DA MARINHA

***CONCURSO PÚBLICO PARA INGRESSO NOS QUADROS
COMPLEMENTARES DE OFICIAIS DA MARINHA
(CP-QC-CA-FN/ 2024)***

**ESTÁ AUTORIZADA A UTILIZAÇÃO DE
CALCULADORA PADRÃO NÃO CIENTÍFICA**

ELETRÔNICA

Based on the text below, answer questions 1 and 2.

Marine receives rare heroism award for saving victim shot 23 times

[1] Issa, now 25, decided to become a Marine when he was 18, he said in an interview with Marine Corps Times on Tuesday. He turned down a full ride to Ohio State University because it didn't feel right to him to pursue the privilege of college without first serving overseas.

[2] In January 2023, Issa was serving with the infantry unit 3rd Battalion, 3rd Marines, at Marine Corps Base Hawaii. The night of the shooting, he and a fellow Marine had wrapped up dinner at Olive Garden and walked into a bar in the Waikiki neighborhood of Honolulu in search of a bathroom. They had been there for only a few minutes when the gunfire started.

[3] When Issa saw the gunmen, he initially thought they were trying to enter the bar. He rushed toward the pair, pushing a few people behind a table to cover them as he went. Then he realized the shooters were targeting someone on the sidewalk. "I just felt like I was on a range," Issa said. "I don't know if it was one of those blocks that I had from being in the Marine Corps infantry, but at the time I didn't feel like there was any danger associated with shooting, but I did feel like there was danger for the victim."

[4] The two gunmen escaped, but one of them sporadically was shooting back at the victim as he ran away, Issa recalled. In those moments, the Marine exposed himself to the fire to attend to the victim.

[5] Issa relied on the casualty care simulations he had run through in training. He took off the victim's shirt and checked him for bullet wounds, of which there were several. Meanwhile, Issa felt a warm sensation on his knees, which were applying pressure near the victim's crotch to cut off the femoral artery. It was blood. Realizing that the victim's legs needed attention, Issa removed the flannel shirt from his own body and fashioned a makeshift tourniquet for the right leg. When two police officers arrived, Issa received from them a pair of real tourniquets that he used on the victim's legs.

[6] The case later was classified as second-degree attempted murder, the Honolulu Police Department told Marine Corps Times on Wednesday. No arrests were made, the police said, and the victim withdrew his complaint and did not want to prosecute.

[7] That night, Issa told his first sergeant that there had been a shooting, though he gave few details. But three Marine officers who happened to have been at the bar and witnessed Issa's actions informed his command, Issa said.

[8] On Feb. 19, Issa received the Navy and Marine Corps Medal from Navy Capt. Michael Puffer, the commanding officer of the Naval ROTC at the University of South Florida. The medal - the highest award for heroism outside of combat - recognizes service members who have taken heroic actions at the risk of their own lives. It's a rare honor.

[9] But, for now, Issa's medal is tucked away in a storage container. Issa said he means no disrespect to those who put in effort to secure him the recognition. It's just that he didn't want an award, because, in his view, what he did is just what anyone should try to do in that situation. "I don't think that any life is more important than another," he said.

(Abridged from <https://www.militarytimes.com>)

QUESTÃO 1

According to the text, it is correct to state that Issa:

- (A) wanted to have the experience of serving aboard a ship before going to college.
- (B) took action right after he understood who the gunmen were aiming at.
- (C) had no previous real-life experience as regards helping victims of shooting.
- (D) provided a full account of the shooting incident to his first sergeant that night.
- (E) sees himself as a hero, but he doesn't think the award was necessary.

QUESTÃO 2

By reading the text, it is correct to infer that "full ride" in "He turned down a full ride to Ohio State University [...]" refers to a kind of:

- (A) award.
- (B) drive.
- (C) fellowship.
- (D) hitch.
- (E) loan.

Based on the text below, answer question 3.

Jeff Bezos wants a trillion humans in solar system

Just when demographers are ringing alarm bells about overpopulation, Amazon founder Jeff Bezos says we need to populate our solar system. Mr. Bezos was asked for his thoughts on humanity living in outer space in a thousand years' time. He replied: "I would love to see, you know, a trillion humans living in the solar system. If we had a trillion humans, we would have at any given time 1,000 Mozarts and 1,000 Einsteins. Space would be full of life and intelligence and energy." He added that he wants to help "build heavy infrastructure that will be used by the space entrepreneurs of future generation, so that ingenuity and imagination can really be unleashed".

(Adapted from <https://breakingnewsenglish.com>)

QUESTÃO 3

In the excerpt "[...] so that ingenuity and imagination can really be unleashed", the words "ingenuity" and "unleashed" mean, respectively:

- (A) inventiveness / bound.
- (B) naivety / loosened.
- (C) simplicity / set free.
- (D) creativity / released.
- (E) credulity / secured.

Based on the text below, answer question 4.

Airline starts to weigh luggage AND passengers

[1] Finland's national carrier Finnair has started weighing passengers on its flights from the capital city of Helsinki. The weigh-ins are being done on a voluntary basis and are completely anonymous.

[2] A company spokesperson said the new initiative is to ensure safety standards on flights are adhered to. He said any airplane should not exceed the prescribed maximum weight for safe take-offs and landings. This weight is made up of the aircraft itself, the fuel, checked baggage and cargo, onboard catering, water tanks, and passengers. Finnair said airlines never know the exact weight of passengers and their carry-on baggage, so they have to rely on average estimates provided by aviation authorities.

[3] Passengers who volunteer to be weighed are stepping on weighing scales at the departure gates at Helsinki Airport. Finnair officials were initially concerned about a customer backlash because weight is such a personal issue. However, in the first week of the tests, over 1,000 passengers had agreed to be weighed. The company said: "We hope to have a good sample of volunteers, both business and leisure travellers, so that we can get the most accurate information possible for important balance calculations." It added: "Our customers have taken it really positively so far." An official said travellers could "rest assured" and have "peace of mind" that their weight would not be linked to their personal data.

(Adapted from <https://breakingnewsenglish.com>)

QUESTÃO 4

According to the text, it is correct to state that:

- (A) Finnair will soon start weighing passengers on its flights from Helsinki.
- (B) airliners know beforehand the exact number of passengers that will be weighed.
- (C) passengers who agree to be weighed at the gates will get a customer backlash.
- (D) an official said Finnair could now rest reassured and have peace of mind about safe take-offs and landings.
- (E) all passengers willing to be weighed help the carrier get more precise information for their balance calculations.

QUESTÃO 5

Which option completes the text below correctly?

Air Force's first Grey Wolf patrol helicopter arrives at Malmstrom

The first field-ready MH-139 Grey Wolf arrived at Montana's Malmstrom Air Force Base earlier this month, marking the start of operations for a new fleet of aircraft designed to safeguard America's land-based nuclear missiles.

The MH-139 Grey Wolf helicopter, _____ replaces Vietnam War-era Hueys, will be used to patrol the intercontinental ballistic missile fields at Malmstrom; F.E. Warren AFB, Wyoming; and Minot AFB, North Dakota.

(Adapted from <https://www.militarytimes.com>)

- (A) what
- (B) which
- (C) who
- (D) whom
- (E) whose

QUESTÃO 6

Mark the correct option to complete the sentences below.

- I- She never argued with her father. They _____ very well most of the time.
- II- Tim's such a liar! Last night he _____ all sorts of stories. We almost believed him!
- III- I couldn't find my glasses. I _____ them everywhere!
- IV- Jack _____ that his partner was embezzling money from their company.
- V- Unfortunately the party was _____. It was raining too heavily.

- (A) got along / made out / looked over / found out / put off
- (B) got on / made up / looked up / found out / called over
- (C) got along / made over / looked into / found out / put off
- (D) got on / made over / looked for / figured out / pulled on
- (E) got along / made up / looked for / found out / called off

QUESTÃO 7

What is the correct option to complete the text below?

8 Great Projects Apple Killed Like Its Electric Car

The Apple Car is one of the highest-profile projects Apple failed to complete, but it's far from the only one.

_____ being renowned for its innovations, Apple has had no choice but to abandon several projects over the past decades.

Here, we'll take a trip down memory lane and revisit Apple's canceled projects and other products that didn't make the market.

(Adapted from <https://www.makeuseof.com>)

- (A) Although
- (B) Despite
- (C) Even though
- (D) Even if
- (E) In spite

QUESTÃO 8

Mark the only sentence that is grammatically INCORRECT.

- (A) Were we to need more time, would that be a problem for you?
- (B) Suppose he had started earlier, would the work be finished by now?
- (C) Would he have moved to the United States of America if he should?
- (D) In what country do Martina and Peter wish they could have lived?
- (E) Had you gotten a well-paid job abroad, would you have accepted it?

QUESTÃO 9

What is the correct option to complete the paragraph below?

The effects of too little sleep _____ something Rogulja herself _____ on a regular basis. "Last night I _____ sleep well and I can feel it," she says. "So I can, kind of, intuitively _____ to these animals that we _____."

(Adapted from <https://www.npr.org>)

- (A) is / experiences / didn't / relating / are studying
- (B) are / experience / couldn't / related / studying
- (C) are / experiences / didn't / relate / are studying
- (D) is / experience / couldn't / relate / were studying
- (E) are / experiencing / didn't / relating / were studying

QUESTÃO 10

What is the correct option to complete the paragraph below?

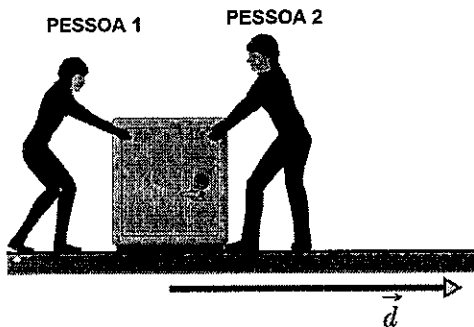
The Battle of Tarawa was a disaster from the start. _____ November 1943, _____ their first big foray in the central Pacific Ocean, US forces invaded this atoll _____ the Gilbert Islands, hoping to dislodge Japanese troops and push closer to Tokyo. But as soon as the assault began, it literally ran aground. Most of the landing boats smashed _____ a shallow coral reef, forcing marines to flounder their way to shore _____ Japanese gunfire. One in five US troops died in the battle - 300 _____ the reef alone.

(Adapted from <https://doi.org/10.1038/d41586-022-02287-6>)

- (A) In / during / in / into / amid / on
- (B) On / in / on / onto / amid / on
- (C) On / on / in / to / between / in
- (D) In / during / in / to / between / off
- (E) At / in / in / against / among / of

QUESTÃO 11

A figura abaixo mostra duas pessoas arrastando um cofre a partir do repouso, produzindo um deslocamento $|\vec{d}| = 5 \text{ m}$.

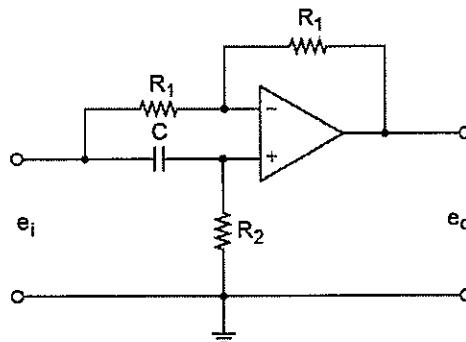


A "PESSOA 1" faz uma força de $10\sqrt{2} \text{ N}$ para empurrar a caixa, com um ângulo de 30° para baixo em relação à horizontal; a "PESSOA 2" faz uma força $10\sqrt{3} \text{ N}$ para puxar a caixa, com ângulo de 45° para cima em relação à horizontal. Considere que as forças e as direções não variam quando a caixa se desloca e que o atrito com o piso é desprezível, e assinale a opção que apresenta o trabalho total realizado pelas duas forças durante o deslocamento \vec{d} .

- (A) 25 J
- (B) $25\sqrt{6} \text{ J}$
- (C) 50 J
- (D) $50\sqrt{6} \text{ J}$
- (E) 125 J

QUESTÃO 12

Considere o circuito abaixo, que contém um amplificador operacional ideal.



Assinale a opção que apresenta a função de transferência $H(s) = E_o(s)/E_i(s)$.

Dados:

$$R_1 = 10 \text{ k}\Omega;$$

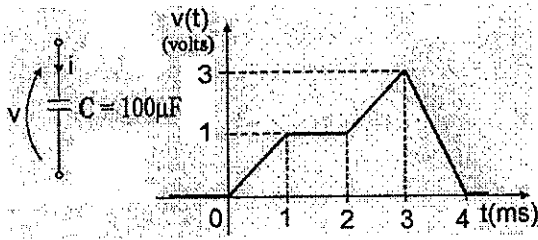
$$R_2 = 100 \text{ k}\Omega; \text{ e}$$

$$C = 100 \mu\text{F}.$$

- (A) $H(s) = \frac{s-0,1}{s+0,1}$
- (B) $H(s) = -\frac{s-0,1}{s+0,1}$
- (C) $H(s) = \frac{s-10}{s+10}$
- (D) $H(s) = -\frac{s+0,1}{s-0,1}$
- (E) $H(s) = \frac{-1}{2} \cdot \frac{s-0,1}{s+0,1}$

QUESTÃO 13

Analise o capacitor C e o gráfico da sua tensão $v(t)$ em Volts.

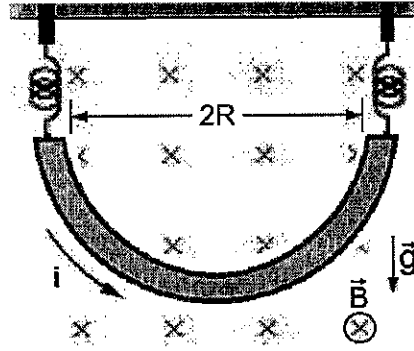


Considerando o intervalo de tempo do gráfico, assinale a opção que apresenta, respectivamente, o maior valor absoluto da corrente $i(t)$ e o maior valor de energia armazenada no capacitor.

- (A) 200 mA e 450 μ J.
- (B) 200 mA e 500 μ J.
- (C) 300 mA e 900 μ J.
- (D) 300 mA e 500 μ J.
- (E) 300 mA e 450 μ J.

QUESTÃO 14

Examine a figura abaixo.

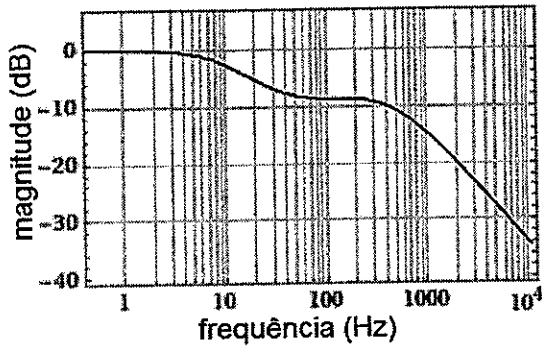


Um semicírculo metálico de massa m e raio R , submetido a uma aceleração da gravidade de módulo g , encontra-se pendurado pelas suas extremidades por dois suportes, conforme mostrado na figura acima. O semicírculo está submetido a um campo magnético de módulo B que atravessa perpendicularmente o seu plano no sentido indicado na figura. Determine o valor do módulo da corrente elétrica i que deve ser gerada através do semicírculo para que não haja tensão mecânica nos suportes e assinale a opção correta.

- (A) $\frac{m \cdot g}{2 \cdot B \cdot R}$
- (B) $\frac{m \cdot g}{2\pi \cdot B \cdot R}$
- (C) $\frac{m \cdot g}{B \cdot R}$
- (D) $\frac{m \cdot g}{4 \cdot B \cdot R}$
- (E) $\frac{m \cdot g}{\pi \cdot B \cdot R}$

QUESTÃO 15

Examine o diagrama abaixo.

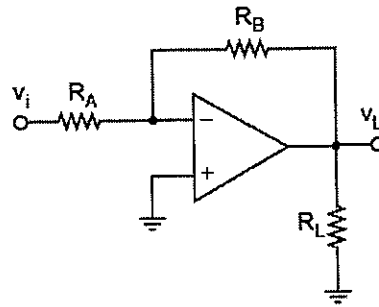


Assinale a opção que apresenta função de transferência $G(s)$ que possui a forma correspondente ao gráfico de magnitude do diagrama de Bode acima.

- (A) $G(s) = k \cdot \frac{(c-s)(d-s)}{(a-s)(b-s)}$, onde $a < c < d < b$.
- (B) $G(s) = k \cdot \frac{a}{s^2 + a.s + b}$.
- (C) $G(s) = k \cdot \frac{(d-s)(1,2b-s)}{(a-s)(b-s)(c-s)}$, onde $a < d < b < c$.
- (D) $G(s) = k \cdot \frac{(c-s)}{(a-s)(b-s)}$, onde $c < a < b$.
- (E) $G(s) = k \cdot \frac{1}{(a-s)(b-s)}$, onde $a < b$.

QUESTÃO 16

Considere o circuito abaixo.



Dados:

- $R_A = 5 \text{ k}\Omega$;
 $R_B = 10 \text{ k}\Omega$; e
 $R_L = 2 \text{ k}\Omega$.

Determine o ganho de potência em dB e assinale a opção correta.

- (A) 0 dB
 (B) 3 dB
 (C) 10 dB
 (D) 20 dB
 (E) 23 dB

QUESTÃO 17

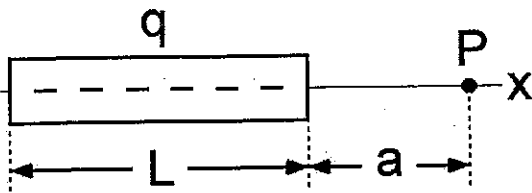
Seja R a parte da coroa circular compreendida entre $x^2 + y^2 = 1$ e $x^2 + y^2 = 4$ no primeiro quadrante ($x \geq 0$ e $y \geq 0$), assinale a opção que apresenta o valor de

$$\iint_R (x^2 + y^2) \cdot dy \cdot dx.$$

- (A) $15\pi/8$
 (B) $15\pi/4$
 (C) $63\pi/6$
 (D) $7\pi/6$
 (E) $255\pi/8$

QUESTÃO 18

Examine a figura abaixo.



Considere a figura acima, que mostra uma barra isolante, de comprimento $L = 15 \text{ cm}$, com carga elétrica $q = 9 \cdot 10^{-15} \text{ C}$ uniformemente distribuída. Calcule o módulo do campo elétrico, em Newton/Coulomb, produzido no ponto P , situado no eixo x , a uma distância de $a = 3 \text{ cm}$ da extremidade da barra, e assinale a opção correta.

- (A) $(25 \cdot 10^{-15}) / (6\pi\epsilon_0)$
- (B) $(5 \cdot 10^{-12}) / (12\pi\epsilon_0)$
- (C) $(25 \cdot 10^{-12}) / (6\pi\epsilon_0)$
- (D) $(5 \cdot 10^{-9}) / (12\pi\epsilon_0)$
- (E) $(25 \cdot 10^{-9}) / (6\pi\epsilon_0)$

QUESTÃO 19

Considere os números abaixo.

$$x = 165_{16}$$

$$y = 1001011110110101_2$$

$$z = 667_{10}$$

Calcule os valores de $r_1 = y - x$, $r_2 = x + z$ e $r_3 = y - x - z$, respectivamente, e assinale a opção correta.

- (A) 1001011001010000_2 , 400_{16} e 39861_{10} .
- (B) 1001011000010000_2 , 400_{16} e 37813_{10} .
- (C) 1001011001010000_2 , 400_{16} e 37813_{10} .
- (D) 1001011001110001_2 , 9916_{16} e 37813_{10} .
- (E) 1001011001010000_2 , $9A50_{16}$ e 39861_{10} .

QUESTÃO 20

Um sinal $m(t)$ modulado em ângulo com portadora $f_c = 100 \text{ MHz}$ é descrito pela equação abaixo.

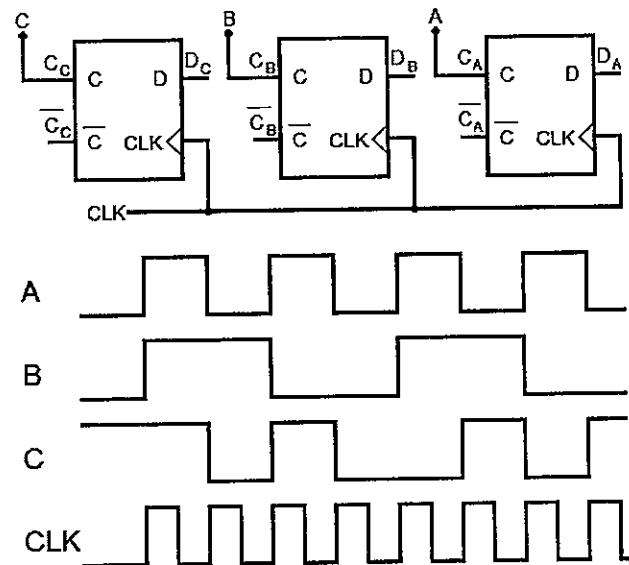
$$\varphi(t) = 20 \cdot \cos[2\pi \cdot f_c \cdot t + m(t)]$$

Sendo $m(t) = 10 \cdot \sin(3 \cdot 10^5 \cdot \pi \cdot t) + 15 \cdot \sin(2 \cdot 10^5 \cdot \pi \cdot t)$, assinale a opção que apresenta a potência P , o desvio de frequências Δf e a largura de banda B de $m(t)$.

- (A) $P = 20$; $\Delta f = 3 \text{ MHz}$; e $B = 100 \text{ kHz}$.
- (B) $P = 200$; $\Delta f = 3 \text{ MHz}$; e $B = 150 \text{ kHz}$.
- (C) $P = 200$; $\Delta f = 6 \text{ MHz}$; e $B = 150 \text{ kHz}$.
- (D) $P = 400$; $\Delta f = 3 \text{ MHz}$; e $B = 150 \text{ kHz}$.
- (E) $P = 400$; $\Delta f = 6 \text{ MHz}$; e $B = 100 \text{ kHz}$.

QUESTÃO 21

Considere o circuito digital abaixo composto por flip-flops tipo D e as formas de ondas dos sinais A , B , C e CLK .

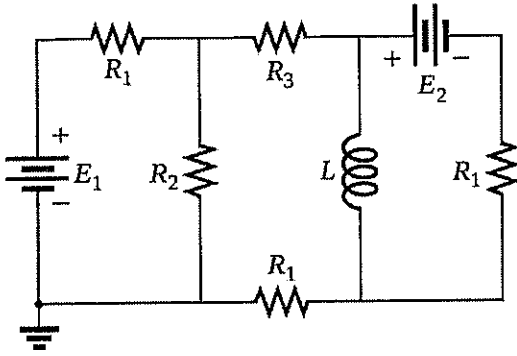


Analise as afirmativas abaixo, sabendo que as formas de onda acima serão geradas pelo circuito, e assinale a opção correta.

- I- $D_A = \overline{C_A}$.
 - II- O sinal D_B pode ser determinado como $C_A \oplus C_B$.
 - III- O sinal D_C pode ser determinado como $C_B \cdot \overline{C_C} + \overline{C_B} \cdot (C_A \oplus C_C)$.
- (A) Apenas a afirmativa I é verdadeira.
 - (B) Apenas as afirmativas I e II são verdadeiras.
 - (C) As afirmativas I, II e III são verdadeiras.
 - (D) Apenas as afirmativas II e III são verdadeiras.
 - (E) Apenas as afirmativas I e III são verdadeiras.

QUESTÃO 22

Considere o circuito da figura abaixo.



Dados:

- $E_1 = 12 V$;
- $E_2 = 5 V$;
- $R_1 = 3 k\Omega$;
- $R_2 = 2 k\Omega$;
- $R_3 = 5 k\Omega$; e
- $L = 138 mH$.

Assinale a opção que apresenta a constante de tempo τ do circuito.

- (A) $46 \mu s$
- (B) $61 \mu s$
- (C) $46 ms$
- (D) $61 ms$
- (E) $138 ms$

QUESTÃO 23

Considere o sistema em tempo discreto descrito pela equação abaixo.

$$y[n] - 0,4 \cdot y[n - 1] - 0,05 \cdot y[n - 2] = 10 \cdot x[n]$$

Assinale a opção que apresenta a resposta $y[n]$ do sistema a uma entrada $x[n]$ do tipo impulso unitário, sabendo que o sistema tem condições iniciais nulas $y[-1] = y[-2] = 0$.

- (A) $y[n] = \frac{1}{2} \cdot [15 \cdot (-0,1)^n + 5 \cdot (0,5)^n] \cdot u[n]$
- (B) $y[n] = [4 \cdot (-0,1)^n + 6 \cdot (0,5)^n] \cdot u[n]$
- (C) $y[n] = \frac{1}{3} \cdot [5 \cdot (-0,1)^n + 25 \cdot (0,5)^n] \cdot u[n]$
- (D) $y[n] = [6 \cdot (-0,1)^n + 4 \cdot (0,5)^n] \cdot u[n]$
- (E) $y[n] = \frac{1}{3} \cdot [5 \cdot (0,1)^n + 25 \cdot (-0,5)^n] \cdot u[n]$

QUESTÃO 24

Um circuito consome 900 W e possui um fator de potência de 0,8 atrasado. Com um osciloscópio foi possível verificar que a tensão de entrada é dada por $v(t) = 180 \cdot \text{sen}(\omega t + 30^\circ) V$. A partir dessas informações, assinale a opção que apresenta a expressão da corrente de entrada $i(t)$ do circuito.

Dado: $\cos(37^\circ) = 0,8$

- (A) $i(t) = 6,25 \cdot \sqrt{2} \cdot \text{sen}(\omega t + 67^\circ) A$
- (B) $i(t) = 6,25 \cdot \sqrt{2} \cdot \text{sen}(\omega t - 7^\circ) A$
- (C) $i(t) = 12,5 \cdot \text{sen}(\omega t - 7^\circ) A$
- (D) $i(t) = 12,5 \cdot \text{sen}(\omega t + 67^\circ) A$
- (E) $i(t) = 25 \cdot \text{sen}(\omega t - 7^\circ) A$

QUESTÃO 25

Um dado sistema regulador possui a seguinte característica:

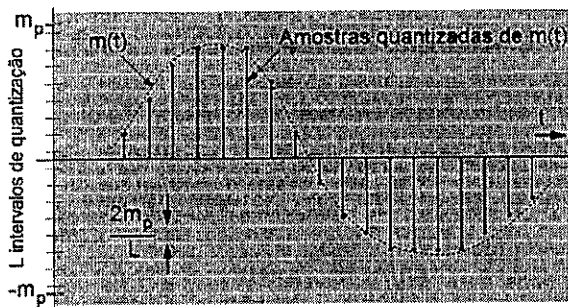
$$\frac{Y(s)}{U(s)} = \frac{5}{(s + 1) \cdot (s + 2) \cdot (s + 4)}$$

Definindo-se as variáveis de estado $x_1 = y$, $x_2 = \dot{x}_1$ e $x_3 = \dot{x}_2$, assinale a opção que apresenta o vetor de ganhos K do controlador de realimentação de estado $u = -K \cdot x$ que aloca os pólos de malha fechada em $s_1 = -1 + j\frac{\sqrt{2}}{2}$, $s_2 = -1 - j\frac{\sqrt{2}}{2}$, $s_3 = -10$.

- (A) $K = [1 \quad 8/5 \quad 12/5]$
- (B) $K = [19/5 \quad 36/5 \quad 28/5]$
- (C) $K = [1 \quad -36/5 \quad 12/5]$
- (D) $K = [1 \quad 32/5 \quad -12/5]$
- (E) $K = [19/5 \quad -36/5 \quad 12/5]$

QUESTÃO 26

Analise a figura abaixo.



Considere um sinal $m(t)$ quantizado no intervalo $(-m_p, m_p)$, dividido em L intervalos uniformemente espaçados, de largura $\Delta\nu = 2m_p/L$. Um valor de amostra é aproximado pelo valor médio do intervalo em que a amostra ocorre, conforme mostrado na figura acima. As amostras são quantizadas e transmitidas como pulsos binários. Considere que a única fonte de erro de recepção é o erro de quantização, o qual pode assumir qualquer valor dentro do intervalo com igual probabilidade, e que o erro de detecção de pulsos é desprezível. Com base nessas informações, assinale a opção INCORRETA.

- (A) A potência do ruído de quantização é diretamente proporcional ao quadrado de m_p .
- (B) A potência do ruído de quantização é inversamente proporcional ao quadrado do número de intervalos L .
- (C) O erro de quantização está contido no intervalo $(-\frac{\Delta\nu}{2}, \frac{\Delta\nu}{2})$.
- (D) A variância do erro de quantização é $\frac{m_p^2}{2L^2}$.
- (E) Quanto maior a potência do sinal $m(t)$, maior será a Relação Sinal-Ruído (SNR).

QUESTÃO 27

A respeito do funcionamento de transistores bipolares de junção (TBJs) e transistores de efeito de campo (FETs), é correto afirmar que:

- (A) tanto o TBJ tipo NPN quanto o MOSFET de canal tipo N possuem em sua estrutura duas regiões dopadas tipo N separadas por uma região dopada tipo P. A diferença entre seus modos de operação é que no caso do TBJ haverá a formação de um canal tipo N induzido, interligando as regiões tipo N, enquanto no MOSFET este fenômeno não ocorre.
- (B) a aplicação do TBJ como amplificador baseia-se no fato de que, no modo de saturação, este transistor atua como uma fonte de corrente controlada por tensão.
- (C) no MOSFET o aumento da tensão dreno-fonte acima da tensão de saturação leva ao fenômeno de modulação do comprimento do canal, causando o encurtamento do canal induzido.
- (D) para o TBJ, o efeito Early ocorre quando um aumento na tensão coletor-emissor leva a uma diminuição da tensão de polarização reversa sobre a junção. Esse fenômeno explica por que a corrente do coletor nunca varia com a tensão coletor-base na região ativa.
- (E) para amplificadores com transistor FET em altas frequências, não é necessário considerar as capacitâncias internas que estão associadas às junções PN reversamente polarizadas, visto que não causam interferências significativas no ganho.

QUESTÃO 28

Considere a função de transferência abaixo.

$$G(s) = \frac{1}{0,1 \cdot s^2 + 0,5 \cdot s + 0,6}$$

Calcule a resposta ao impulso com amplitude 10 e assinale a opção correta.

- (A) $100 \cdot (e^{-t} - e^{-4 \cdot t})$
- (B) $e^{-2 \cdot t} - e^{-3 \cdot t}$
- (C) $e^{-3 \cdot t} + e^{2 \cdot t}$
- (D) $100 \cdot (e^{-2 \cdot t} - e^{-3 \cdot t})$
- (E) $100 \cdot (e^{-3 \cdot t} - e^{-2 \cdot t})$

QUESTÃO 29

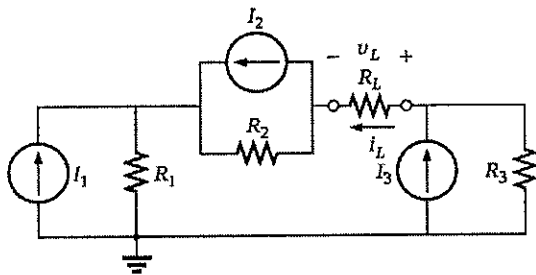
Seja $A = \{(x, y) \in \mathbb{R}^2 \mid 0 \leq x \leq 4, \sqrt{x} \leq y \leq 2\}$, assinale a opção que apresenta o valor da integral abaixo:

$$\iint_A \operatorname{sen}(\pi \cdot y^3) \cdot dy \cdot dx$$

- (A) $-1/3\pi$
- (B) 0
- (C) $1/3\pi$
- (D) $2/3\pi$
- (E) $1/\pi$

QUESTÃO 30

Considere o circuito abaixo.



Dados:

- $I_1 = 5 \text{ mA}$;
- $I_2 = 10 \text{ mA}$;
- $I_3 = 8 \text{ mA}$;
- $R_1 = 2 \text{ k}\Omega$;
- $R_2 = 2,5 \text{ k}\Omega$; e
- $R_3 = 4 \text{ k}\Omega$.

Calcule a corrente i_L e a tensão v_L do resistor $R_L = 2,5 \text{ k}\Omega$, considerando duas casas decimais, e assinale a opção correta.

- (A) $-0,25 \text{ mA}$ e $-0,63 \text{ V}$
- (B) $1,42 \text{ mA}$ e $3,55 \text{ V}$
- (C) $2,75 \text{ mA}$ e $6,88 \text{ V}$
- (D) $4,27 \text{ mA}$ e $10,68 \text{ V}$
- (E) $4,55 \text{ mA}$ e $11,38 \text{ V}$

QUESTÃO 31

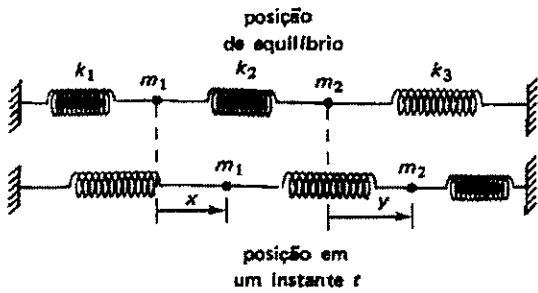
Sobre Modulação em Amplitude, analise as afirmativas abaixo e assinale a opção correta.

- I- A modulação em banda lateral dupla com portadora suprimida (DSB-SC) requer um demodulador coerente.
- II- A potência necessária para transmitir um sinal modulado com a portadora é praticamente a mesma necessária para transmitir o mesmo sinal sem a portadora.
- III- Para a transmissão de um mesmo sinal, a modulação em banda lateral simples (SSB) usa apenas metade da banda usada na modulação em banda lateral dupla.
- IV- A modulação em amplitude em quadratura (QAM) é capaz de transmitir dois sinais ao mesmo tempo, em quadratura de fase, usando metade da banda na modulação em banda lateral dupla para transmitir um dos sinais.

- (A) Apenas as afirmativas I e II são verdadeiras.
- (B) Apenas as afirmativas I e III são verdadeiras.
- (C) Apenas as afirmativas I, II e III são verdadeiras.
- (D) Apenas as afirmativas I, II e IV são verdadeiras.
- (E) Apenas as afirmativas II, III e IV são verdadeiras.

QUESTÃO 32

Examine a figura abaixo.

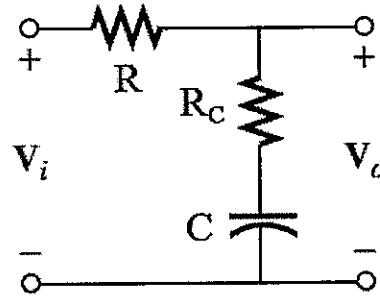


Considere dois corpos de dimensões desprezíveis e massas $m_1 = m_2 = m$, presos a três molas de constante elástica $k_1 = k_2 = k_3 = k$, em uma posição de equilíbrio, conforme mostrado na figura acima. Supondo que o movimento dos corpos ocorra somente na direção horizontal, assinale a opção que apresenta uma possível solução para os deslocamentos de posição x e y em relação à posição de equilíbrio dos corpos de massa m_1 e m_2 , respectivamente, em um determinado instante t .

- (A)
$$\begin{cases} x = A_1 \cdot \text{sen} \left(\sqrt{\frac{3k}{m}} \cdot t + \theta_1 \right) + A_2 \cdot \text{sen} \left(\sqrt{\frac{k}{m}} \cdot t + \theta_2 \right) \\ y = -A_1 \cdot \text{sen} \left(\sqrt{\frac{3k}{m}} \cdot t + \theta_1 \right) + A_2 \cdot \text{sen} \left(\sqrt{\frac{k}{m}} \cdot t + \theta_2 \right) \end{cases}$$
- (B)
$$\begin{cases} x = A_1 \cdot \text{sen} \left(\frac{3k}{m} \cdot t + \theta_1 \right) + A_2 \cdot \text{sen} \left(\frac{k}{m} \cdot t + \theta_2 \right) \\ y = -A_1 \cdot \text{sen} \left(\frac{3k}{m} \cdot t + \theta_1 \right) + A_2 \cdot \text{sen} \left(\frac{k}{m} \cdot t + \theta_2 \right) \end{cases}$$
- (C)
$$\begin{cases} x = A_1 \cdot \text{sen} \left(\frac{2k}{m} \cdot t + \theta_1 \right) + A_2 \cdot \text{sen} \left(\frac{k}{m} \cdot t + \theta_2 \right) \\ y = -A_1 \cdot \text{sen} \left(\frac{2k}{m} \cdot t + \theta_1 \right) + A_2 \cdot \text{sen} \left(\frac{k}{m} \cdot t + \theta_2 \right) \end{cases}$$
- (D)
$$\begin{cases} x = A_1 \cdot \text{sen} \left(\sqrt{\frac{2k}{m}} \cdot t + \theta_1 \right) + A_2 \cdot \text{sen} \left(\sqrt{\frac{k}{m}} \cdot t + \theta_2 \right) \\ y = -A_1 \cdot \text{sen} \left(\sqrt{\frac{2k}{m}} \cdot t + \theta_1 \right) + A_2 \cdot \text{sen} \left(\sqrt{\frac{k}{m}} \cdot t + \theta_2 \right) \end{cases}$$
- (E)
$$\begin{cases} x = A_1 \cdot \text{sen} \left(\sqrt{\frac{k}{m}} \cdot t + \theta_1 \right) \\ y = A_2 \cdot \text{sen} \left(\sqrt{\frac{k}{m}} \cdot t + \theta_2 \right) \end{cases}$$

QUESTÃO 33

Examine a figura abaixo.



Considere o filtro passa-baixas acima, com tensão de entrada V_i , tensão de saída V_o e atenuação limitada pelo resistor $R_c = 10 \Omega$. Assinale a opção que apresenta a atenuação máxima em dB e a frequência de corte em rad/s .

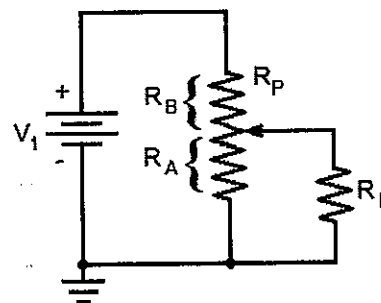
Dados:

$R = 9990 \Omega$; e
 $C = 2 \text{ nF}$.

- (A) -40 dB e 5.10^8 rad/s
(B) -50 dB e 5.10^4 rad/s
(C) -60 dB e 5.10^8 rad/s
(D) -50 dB e 5.10^8 rad/s
(E) -60 dB e 5.10^4 rad/s

QUESTÃO 34

Considere o circuito abaixo, que contém um potenciômetro $R_p = R_A + R_B = 100 \Omega$, um resistor $R_L = 24 \Omega$ e uma fonte de tensão $V_1 = 12 \text{ V}$.



Determine, respectivamente, o valor da resistência R_A do potenciômetro para que ocorra a máxima transferência de potência no resistor R_L e o valor potência P_L no resistor R_L para essa condição e assinale a opção correta.

- (A) 40Ω e 480 mW
(B) 40Ω e 240 mW
(C) 40Ω e 540 mW
(D) 60Ω e 240 mW
(E) 60Ω e 540 mW

QUESTÃO 35

A função densidade de probabilidade de uma variável aleatória X é dada pela expressão abaixo.

$$f(x) = \begin{cases} x \cdot e^{-x}, & 0 < x < +\infty \\ 0, & \text{caso contrário} \end{cases}$$

Calcule o valor da esperança matemática $E(X)$, tal que $E(X) = \int_{-\infty}^{\infty} x \cdot f(x) \cdot dx$, e assinale a opção correta.

- (A) 1/2
- (B) 1
- (C) 3/2
- (D) 2
- (E) 4

QUESTÃO 36

Considere as equações A e B abaixo.

$$A = \int_0^{\pi/4} \sec x \cdot dx$$

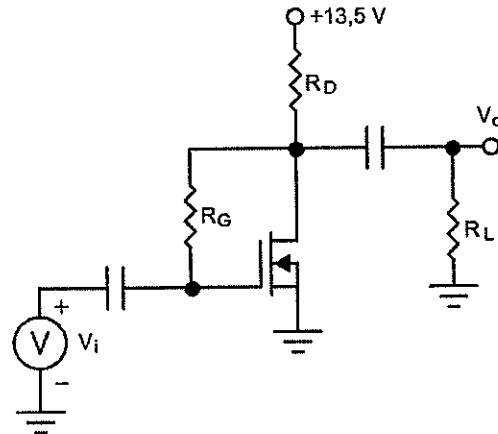
$$B = \int_{\pi/6}^{\pi/3} \sec x \cdot dx$$

Assinale a opção que apresenta os valores de A e B, respectivamente.

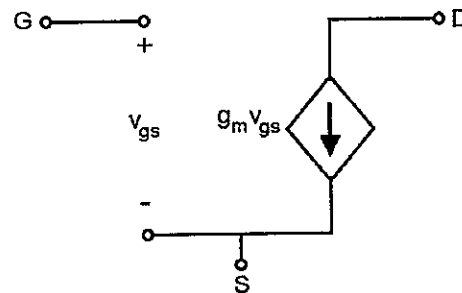
- (A) $\ln\left(1 + \frac{\sqrt{2}}{2}\right)$ e $\ln(2\sqrt{3} - 3)$
- (B) $\ln(1 + \sqrt{2})$ e $\ln\left(\frac{2\sqrt{3}}{3} + 1\right)$
- (C) $\ln\left(1 + \frac{\sqrt{2}}{2}\right)$ e $\ln\left(\frac{2\sqrt{3}}{3} + 1\right)$
- (D) $\ln(1 + \sqrt{2})$ e $\ln(2\sqrt{3} - 3)$
- (E) $\ln(1 + 2\sqrt{2})$ e $\ln\left(\frac{\sqrt{3}}{3} + 1\right)$

QUESTÃO 37

O circuito abaixo mostra um amplificador MOSFET fonte comum. Os sinais de entrada e saída são acoplados por capacitores de alto valor ($Z_C \rightarrow 0$ na frequência de operação), assim como o resistor R_G de polarização é muito maior quando comparado aos resistores R_D e R_L .



Assinale a opção que apresenta o valor do ganho de tensão v_o/v_i considerando o modelo para pequenos sinais abaixo.



Dados:

$$R_D = R_L = 8 \text{ k}\Omega;$$

$$g_m = \mu_n C_{ox} \cdot (W/L) \cdot (V_{GS} - V_t);$$

$$\text{Tensão de limiar: } V_t = 1,5 \text{ V};$$

$$\mu_n C_{ox} = 0,125 \text{ mA/V}^2; \text{ e}$$

$$W/L = 2.$$

- (A) -3
- (B) -4
- (C) 2
- (D) 3
- (E) 4

QUESTÃO 38

Considere a matriz M abaixo.

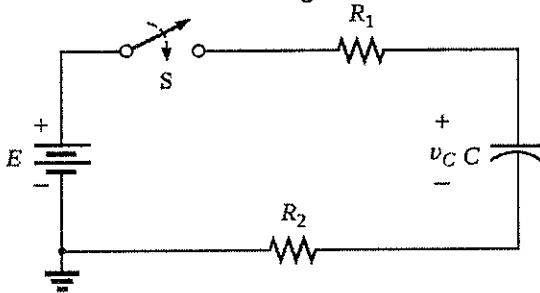
$$M = \frac{1}{2} \cdot \begin{bmatrix} 1 & -3 \\ -3 & 1 \end{bmatrix}$$

Calcule o valor de M^{10} e assinale a opção correta.

- (A) $\frac{1}{2} \cdot \begin{bmatrix} 1025 & -1023 \\ -1023 & 1025 \end{bmatrix}$
- (B) $\frac{1}{2} \cdot \begin{bmatrix} 1023 & -1025 \\ -1025 & 1023 \end{bmatrix}$
- (C) $\frac{1}{1024} \cdot \begin{bmatrix} 1025 & -1023 \\ -1023 & 1025 \end{bmatrix}$
- (D) $\frac{1}{2} \cdot \begin{bmatrix} -1023 & 1025 \\ 1025 & -1023 \end{bmatrix}$
- (E) $\frac{1}{1024} \cdot \begin{bmatrix} 1023 & -1025 \\ -1025 & 1023 \end{bmatrix}$

QUESTÃO 39

Considere o circuito da figura abaixo.



Dados:

$$E = 15 \text{ V};$$

$$R_1 = 3,5 \text{ k}\Omega;$$

$$R_2 = 1,5 \text{ k}\Omega; \text{ e}$$

$$C = 2,4 \text{ }\mu\text{F}.$$

Determine a expressão matemática para a tensão $v_c(t)$ entre os terminais do capacitor após a chave S ser fechada, considerando que a tensão inicial do capacitor quando S for fechada é de 2 V, e assinale a opção correta.

- (A) $v_c(t) = 4,5 - 2,5 \cdot e^{-t/12 \text{ ms}}$
- (B) $v_c(t) = 15 - 8,5 \cdot e^{-t/12 \text{ ms}}$
- (C) $v_c(t) = 15 - 13 \cdot e^{-t/12 \text{ ms}}$
- (D) $v_c(t) = 10,5 - 8,5 \cdot e^{-t/8,4 \text{ ms}}$
- (E) $v_c(t) = 15 - 13 \cdot e^{-t/8,4 \text{ ms}}$

QUESTÃO 40

Considere o sistema linear invariante no tempo descrito pela equação de diferenças abaixo.

$$y[n+2] - y[n+1] + 0,21 \cdot y[n] = x[n+1] + 0,32 \cdot x[n]$$

Sobre esse sistema, é correto afirmar que:

- (A) Sua função de transferência é $\frac{Y(z)}{X(z)} = \frac{z+0,32}{z^2-z+0,21}$; seus pólos são $z_{p1} = 0,3$ e $z_{p2} = 0,7$; e o sistema é instável.
- (B) Sua função de transferência é $\frac{Y(z)}{X(z)} = \frac{z^{-1}+0,32}{z^{-2}-z^{-1}+0,21}$; seus pólos são $z_{p1} = 1,42$ e $z_{p2} = 3,33$; e o sistema é instável.
- (C) Sua função de transferência é $\frac{Y(z)}{X(z)} = \frac{z+0,32}{z^2-z+0,21}$; seus pólos são $z_{p1} = -0,3$ e $z_{p2} = -0,7$; e o sistema é estável.
- (D) Sua função de transferência é $\frac{Y(z)}{X(z)} = \frac{z^{-1}+0,32}{z^{-2}-z^{-1}+0,21}$; seus pólos são $z_{p1} = -1,42$ e $z_{p2} = -3,33$; e o sistema é estável.
- (E) Sua função de transferência é $\frac{Y(z)}{X(z)} = \frac{z+0,32}{z^2-z+0,21}$; seus pólos são $z_{p1} = 0,3$ e $z_{p2} = 0,7$; e o sistema é estável.

QUESTÃO 41

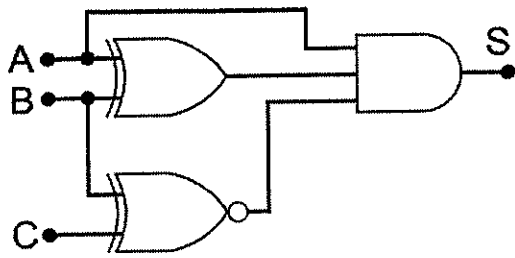
Sobre a codificação de linha, analise as afirmativas abaixo e assinale a opção correta.

- I- A codificação de linha Liga-Desliga ("on-off") representa o bit 1 com um pulso $p(t)$ e o bit 0 com ausência de pulso.
- II- A codificação de linha Polar representa o bit 1 com um pulso $p(t)$ e o bit 0 com um pulso $-p(t)$.
- III- A codificação de linha bipolar ("Alternate Mark Inversion") representa o bit 1 com um pulso $p(t)$ ou $-p(t)$, caso o pulso anterior tenha sido $-p(t)$ ou $p(t)$, e representa o bit 0 com um pulso $p(t)$ ou $-p(t)$, caso o pulso anterior tenha sido $p(t)$ ou $-p(t)$.

- (A) Apenas a afirmativa I é verdadeira.
- (B) Apenas as afirmativas I e II são verdadeiras.
- (C) Apenas as afirmativas I e III são verdadeiras.
- (D) Apenas as afirmativas II e III são verdadeiras.
- (E) As afirmativas I, II e III são verdadeiras.

QUESTÃO 42

Considere o circuito combinacional da figura abaixo.



Determine as condições de entrada necessárias para gerar uma saída $S=1$ e assinale a opção correta.

- (A) $A=0, B=C=1.$
- (B) $A=C=1, B=0.$
- (C) $A=B=1, C=0.$
- (D) $A=B=C=1.$
- (E) $A=1, B=C=0.$

QUESTÃO 43

Considere os sinais $f(t), f_1(t), f_2(t)$, suas respectivas Transformadas de Laplace $F(s), F_1(s)$ e $F_2(s)$, os escalares a, a_1, a_2 e $u(t)$ sendo a função degrau unitário. Analise as afirmativas abaixo e assinale a opção correta.

- I- $\mathcal{L}[a_1 \cdot f_1(t) + a_2 \cdot f_2(t)] = a_1 \cdot F_1(s) + a_2 \cdot F_2(s).$
- II- $\mathcal{L}[f(t-a) \cdot u(t-a)] = e^{-as} \cdot F(s), a \geq 0.$
- III- $\mathcal{L}[f(t/a)] = (1/a) \cdot F(a \cdot s), a \neq 0.$
- IV- $\mathcal{L}[e^{-a \cdot t} \cdot f(t)] = F(s+a)$
- V- $\mathcal{L}\left[\frac{d}{dt} f(t)\right] = s \cdot F(s) - f(0_-)$

- (A) Apenas as afirmativas II, III, IV e V são verdadeiras.
- (B) Apenas as afirmativas I, III e IV são verdadeiras.
- (C) Apenas as afirmativas I, II e V são verdadeiras.
- (D) Apenas as afirmativas I, IV e V são verdadeiras.
- (E) Apenas as afirmativas I, II, III e IV são verdadeiras.

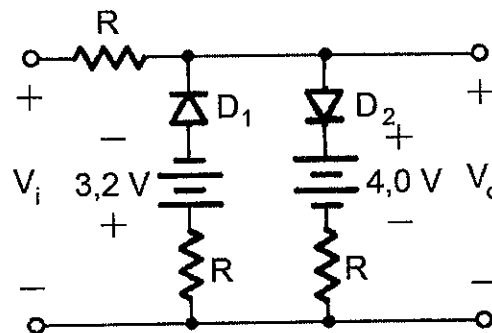
QUESTÃO 44

Referente a transformações lineares, assinale a opção correta.

- (A) O inverso da transformada linear $T(x, y, z) = (x - 2y, z, x + y)$ é $T^{-1}(x, y, z) = \left(\frac{x+2z}{3}, \frac{z-x}{3}, \frac{y}{3}\right).$
- (B) O núcleo e a imagem de $T(x, y, z) = (x, 2y, 0)$ são, respectivamente, $\{(0,0,1)\}$ e $\{(1,2,0)\}.$
- (C) A dimensão do núcleo de $T(x, y, z) = (z, x - y, -z)$ é 1.
- (D) A transformação linear $T(x, y) = (x + 2y, 3x + 6y)$ é inversível.
- (E) A transformação linear $T(x, y) = (x, -y)$ é uma reflexão em torno do eixo $y.$

QUESTÃO 45

Examine o circuito abaixo.



Considere o circuito limitador acima, em que os diodos D_1 e D_2 , em condução, possuem queda de tensão constante de $0,7 \text{ V}$ e $0,8 \text{ V}$, respectivamente. Para uma tensão de entrada $v_i(t) = 5,5 \cdot \text{sen}(\omega \cdot t)$, assinale a opção que apresenta o período de tempo, em porcentagem, em que o sinal não é limitado pelo circuito.

Dados:

$$\text{sen}(45^\circ) \cong 0,71; \text{ e}$$

$$\text{sen}(60^\circ) \cong 0,87.$$

- (A) 27,5 %
- (B) 36,3 %
- (C) 41,7 %
- (D) 58,3 %
- (E) 63,7 %

QUESTÃO 46

A realimentação em circuitos amplificadores por muitas vezes é necessária para que se obtenham características desejáveis, em troca de redução de ganho. Sobre as possíveis vantagens da realimentação negativa e suas topologias básicas, assinale a opção correta.

- (A) A realimentação do tipo série-paralelo, ou amplificador de tensão, permite o aumento da resistência de entrada, fator desejável, porém também aumenta a resistência de saída, fator indesejável.
- (B) A realimentação de circuitos amplificadores pode aumentar a relação sinal-ruído, caso seja possível preceder o estágio com maior ruído por outro com menor ruído.
- (C) Mesmo que a realimentação permita maior controle das impedâncias de entrada ou saída e redução dos efeitos do ruído, não é possível interferir na distorção não-linear do amplificador.
- (D) Mesmo que a realimentação permita a diminuição da distorção não-linear e redução do efeito do ruído no amplificador, não é possível interferir nas variações do ganho devido a fatores como temperatura, que podem alterar os valores dos componentes como resistências, capacitâncias e indutâncias.
- (E) Na topologia de realimentação paralelo-paralelo, o sinal de entrada é a corrente e o sinal de saída é a tensão, ou seja, é um amplificador de tensão.

QUESTÃO 47

Considere a matriz A abaixo.

$$A = \begin{bmatrix} 0 & 1 & 0 \\ 0 & 0 & 1 \\ 4 & -17 & 8 \end{bmatrix}$$

Calcule os valores do produto e da soma, respectivamente, dos autovalores de A e assinale a opção correta.

- (A) 8 e 4
- (B) 4 e 8
- (C) -4 e -8
- (D) -8 e 4
- (E) -17 e 4

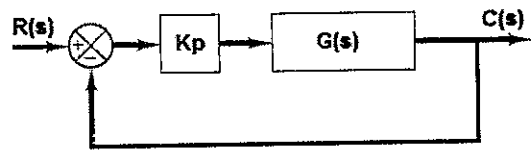
QUESTÃO 48

A respeito de sistemas de controle no espaço de estados, é correto afirmar que:

- (A) diferentes representações possíveis de um sistema de controle no espaço de estados podem modificar a controlabilidade e observabilidade do sistema, dependendo das variáveis de estado escolhidas, caso ocorra um cancelamento de pólos e zeros na função de transferência do sistema.
- (B) para que um projeto de sistema de controle possa alocar pólos arbitrariamente, o estado do sistema precisa ser completamente controlável e completamente observável.
- (C) dado um sistema de controle no espaço de estados que possui 4 (quatro) variáveis de estado e 3 (três) variáveis de saída, caso seja utilizado um observador que estime 2 (duas) variáveis de estado, este será um observador de ordem mínima.
- (D) a adição de um observador geralmente aumenta a margem de estabilidade do sistema, mesmo que o controlador com observador possua pólos no semiplano direito do plano s .
- (E) ao se projetar um observador, é ideal que os pólos do observador sejam mais lentos do que os pólos do controlador. Dessa forma, o erro de observação irá convergir mais rapidamente para zero, fazendo com que os pólos do controlador sejam dominantes na resposta do sistema.

QUESTÃO 49

Considere o sistema da figura abaixo.



Dada a função de transferência $G(s)$ abaixo, calcule os valores de K_p de modo que o sistema seja estável e assinale a opção correta.

$$G(s) = \frac{2}{s^3 + 5s^2 + 4s}$$

- (A) $K_p < 20$
- (B) $K_p < 0$
- (C) $0 < K_p < 20$
- (D) $K_p < 10$
- (E) $0 < K_p < 10$

QUESTÃO 50

Considere que somente duas fábricas, **A** e **B**, produzem uma determinada peça para a indústria naval. A fábrica **A** produz a peça com uma taxa de defeito de $1/150$, enquanto a fábrica **B** produz a peça com uma taxa de defeito de $1/30$. O mercado é dominado pela fábrica **A**, com 75 % do volume de vendas. Sabendo que há uma peça defeituosa, assinale a opção que apresenta a probabilidade de essa peça ser proveniente da fábrica **B**.

- (A) 38,5 %
- (B) 50,0 %
- (C) 62,5 %
- (D) 75,0 %
- (E) 87,5 %

PROVA DE REDAÇÃO

INSTRUÇÕES

1. A redação deverá ser uma dissertação argumentativa com ideias coerentes, claras e objetivas, em língua portuguesa e com letra legível. Se utilizada a letra de forma (caixa-alta), as letras maiúsculas deverão receber o devido realce;
2. Deverá ter, no mínimo, 15 (quinze) linhas contínuas, considerando o recuo dos parágrafos, e, no máximo, 30 (trinta) linhas. Não poderá conter qualquer marca identificadora ou assinatura, o que implicará a atribuição de nota zero;
3. Os trechos da redação que contiverem cópias dos textos de apoio ao tema proposto ou dos textos do caderno de prova serão desconsiderados para a correção e para a contagem do número mínimo de linhas;
4. O candidato deverá dar um título à redação; e
5. O rascunho deverá ser feito em local apropriado.

TEXTO I

O crime organizado transnacional é um grande negócio, gerando ganhos estimados em US\$ 870 bilhões por ano e incontáveis vítimas. Dez anos atrás, o primeiro instrumento global para combatê-lo – a Convenção das Nações Unidas contra o Crime Organizado Transnacional e seus três protocolos suplementares – entrou em vigor, demonstrando o compromisso da comunidade internacional para enfrentar este desafio. O crime organizado transnacional engloba praticamente todas as ações criminais motivadas pelo lucro e cometidas por grupos organizados, envolvendo mais de um país. Em um esforço para educar e explicar os fenômenos a uma audiência global, o Escritório das Nações Unidas sobre Drogas e Crime (UNODC) lançou em 2012 uma campanha contra o crime organizado transnacional.

Disponível em: <https://www.unodc.org/lpo-brazil/pt/frontpage/2013/10/16-un-convention-against-organized-crime-celebrates-10-years.html>. Acesso em 08 de maio de 2024. (adaptado)

TEXTO II

O incremento da criminalidade transnacional, no mundo Pós-Guerra Fria, desperta a atenção das Nações sobre as novas necessidades no ramo da Segurança, principalmente nas áreas de fronteira. As Águas Jurisdicionais Brasileiras, ricas em recursos econômicos, vêm se destacando no cenário nacional como fonte de riquezas. Proteger a fronteira marítima brasileira, em sua enorme extensão, é um desafio para vários atores com interesse em Segurança Marítima, que muitas vezes excede a capacidade individual de cada instituição. Desse modo, apoiam-se mutuamente para exercer suas atividades, geralmente sem coordenação e planejamento integrado. Observa-se que essa forma de atuação reflete um modelo inadequado, capaz de gerar duplicidade de ações e desperdício de recursos. Nesse sentido, surge o interesse sobre as Operações Interagências para Segurança Marítima, em busca da melhor forma para realizar a integração das forças para consecução de objetivos comuns. A Segurança Marítima se insere em um ambiente multidimensional sob a ameaça de diversos tipos de atividades criminosas transnacionais, combatidas por um rol de dez atores com interesse em Segurança Marítima.

Quadro situacional da Segurança Marítima brasileira para o desenvolvimento de operações interagências

SEGURANÇA MARÍTIMA Multidimensional
ATORES Marinha do Brasil, Polícia Federal, Receita Federal, Polícia Militar, Polícia Civil, IBAMA, ICMBio, Guarda Portuária, ANTAQ, ANVISA
TEATRO DE OPERAÇÕES Águas Jurisdicionais Brasileiras
AMEAÇAS TRANSNACIONAIS Pirataria, roubo armado, tráfico de entorpecentes, tráfico de pessoas, migração ilegal, contrabando, descaminho, tráfico de armas, crimes ambientais
ESTRATÉGIA DE ATUAÇÃO Operações Interagências
CONCEITO Estratégia de atuação integrada de todo o governo. As estratégias se desenvolveram como resposta às novas ameaças internacionais surgidas no novo contexto de segurança mundial.
DESAFIOS Diversidade de culturas organizacionais; problemas na comunicação entre pessoas e agências; problemas relacionados ao financiamento da operação.

Disponível em: https://www.repositorio.mar.mil.br/bitstream/ripcmb/846019/1/CPEM%202022_FERREIRA.pdf. Acesso em 08 de maio de 2024. (adaptado)

PROPOSTA DE REDAÇÃO - A partir da leitura dos textos de apoio e de suas reflexões, redija uma dissertação argumentativa a respeito do tema **“O combate aos crimes transnacionais praticados em águas jurisdicionais brasileiras”**. Dê um título ao seu texto.


RASCUNHO PARA REDAÇÃO

TÍTULO:

1	
2	
3	
4	
5	
6	
7	
8	
9	
10	
11	
12	
13	
14	
15	
16	
17	
18	
19	
20	
21	
22	
23	
24	
25	
26	
27	
28	
29	
30	

INSTRUÇÕES GERAIS AO CANDIDATO

- 1 - Verifique se a prova recebida e a folha de respostas são da mesma cor (consta no rodapé de cada folha a cor correspondente) e se não faltam questões ou páginas: o caderno é composto por uma prova escrita objetiva com 50 questões de múltipla escolha e uma prova de Redação. Escreva e assine corretamente seu nome, coloque seu número de inscrição e o dígito verificador (DV) apenas nos locais indicados;
- 2 - O tempo para a realização da prova será de **5 (cinco) horas**, incluindo o tempo necessário à Redação e à marcação das respostas na folha de respostas, e não será prorrogado;
- 3 - Só inicie a prova após ser autorizado pelo Fiscal, interrompendo sua execução quando determinado;
- 4 - Iniciada a prova, não haverá mais esclarecimentos. O candidato somente poderá deixar seu lugar, devidamente autorizado pelo Supervisor/Fiscal, para se retirar definitivamente do recinto de prova ou, nos casos abaixo especificados, devidamente acompanhado por militar designado para esse fim:
 - atendimento médico por pessoal designado pela Marinha do Brasil;
 - fazer uso de banheiro; e
 - casos de força maior, comprovados pela supervisão do certame, sem que aconteça saída da área circunscrita para a realização da prova.
 Em nenhum dos casos haverá prorrogação do tempo destinado à realização da prova; em caso de retirada definitiva do recinto de prova, esta será corrigida até onde foi solucionada;
- 5 - Confira nas folhas de questões as respostas que você assinalou como corretas antes de marcá-las na folha de respostas. Cuidado para não marcar duas opções para uma mesma questão na folha de respostas (a questão será perdida);
- 6 - Para rascunho, use os espaços disponíveis nas folhas de questões, mas só serão corrigidas as respostas marcadas na folha de respostas;
- 7 - O tempo mínimo de permanência dos candidatos no recinto de aplicação de provas é de **150 minutos**.
- 8 - Será eliminado sumariamente do processo seletivo/concurso e suas provas não serão levadas em consideração o candidato que:
 - a) der ou receber auxílio para a execução da Prova;
 - b) utilizar-se de qualquer material não autorizado;
 - c) desrespeitar qualquer prescrição relativa à execução da Prova;
 - d) escrever o nome ou introduzir marcas identificadoras noutro lugar que não o determinado para esse fim; e
 - e) cometer ato grave de indisciplina.
- 9 - Instruções para o preenchimento da folha de respostas:
 - a) use caneta esferográfica azul ou preta de material transparente;
 - b) escreva seu nome em letra legível no local indicado;
 - c) assine seu nome no local indicado;
 - d) no campo inscrição DV, escreva seu número de inscrição nos retângulos, da esquerda para a direita, um dígito em cada retângulo. Escreva o dígito correspondente ao DV no último retângulo. Após, cubra todo o círculo correspondente a cada número. Não amasse, dobre ou rasgue a folha de respostas, sob pena de ser rejeitada pelo equipamento de leitura ótica que a corrigirá; e
 - e) só será permitida a troca de folha de respostas até o início da prova, por motivo de erro no preenchimento nos campos nome, assinatura e número de inscrição, sendo de inteira responsabilidade do candidato qualquer erro ou rasura na referida folha de respostas, após o início da prova.
- 10 - Preencha a folha com atenção de acordo com o exemplo abaixo:



Diretoria de Ensino da Marinha

Nome: **ROBERTO SILVA**

Assinatura: **Roberto Silva**

Instruções de Preenchimento

- Não rasure esta folha.
- Não rubricue nas áreas de respostas.
- Faça marcas sólidas nos círculos.
- Não use canetas que borrem o papel.

ERRADO: CORRETO:

PREENCHIMENTO DO CANDIDATO

INSCRIÇÃO										DV	
5	7	0	2	0	7	0	0				
1	2	3	4	5	6	7	8				
9	0	1	2	3	4	5	6				
7	8	9	0	1	2	3	4				
5	6	7	8	9	0	1	2				
3	4	5	6	7	8	9	0				
1	2	3	4	5	6	7	8				
9	0	1	2	3	4	5	6				
7	8	9	0	1	2	3	4				
5	6	7	8	9	0	1	2				
3	4	5	6	7	8	9	0				
1	2	3	4	5	6	7	8				
9	0	1	2	3	4	5	6				
7	8	9	0	1	2	3	4				
5	6	7	8	9	0	1	2				
3	4	5	6	7	8	9	0				
1	2	3	4	5	6	7	8				
9	0	1	2	3	4	5	6				
7	8	9	0	1	2	3	4				
5	6	7	8	9	0	1	2				
3	4	5	6	7	8	9	0				
1	2	3	4	5	6	7	8				
9	0	1	2	3	4	5	6				
7	8	9	0	1	2	3	4				
5	6	7	8	9	0	1	2				
3	4	5	6	7	8	9	0				
1	2	3	4	5	6	7	8				
9	0	1	2	3	4	5	6				
7	8	9	0	1	2	3	4				
5	6	7	8	9	0	1	2				
3	4	5	6	7	8	9	0				
1	2	3	4	5	6	7	8				
9	0	1	2	3	4	5	6				
7	8	9	0	1	2	3	4				
5	6	7	8	9	0	1	2				
3	4	5	6	7	8	9	0				
1	2	3	4	5	6	7	8				
9	0	1	2	3	4	5	6				
7	8	9	0	1	2	3	4				
5	6	7	8	9	0	1	2				
3	4	5	6	7	8	9	0				
1	2	3	4	5	6	7	8				
9	0	1	2	3	4	5	6				
7	8	9	0	1	2	3	4				
5	6	7	8	9	0	1	2				
3	4	5	6	7	8	9	0				
1	2	3	4	5	6	7	8				
9	0	1	2	3	4	5	6				
7	8	9	0	1	2	3	4				
5	6	7	8	9	0	1	2				
3	4	5	6	7	8	9	0				
1	2	3	4	5	6	7	8				
9	0	1	2	3	4	5	6				
7	8	9	0	1	2	3	4				
5	6	7	8	9	0	1	2				
3	4	5	6	7	8	9	0				
1	2	3	4	5	6	7	8				
9	0	1	2	3	4	5	6				
7	8	9	0	1	2	3	4				
5	6	7	8	9	0	1	2				
3	4	5	6	7	8	9	0				
1	2	3	4	5	6	7	8				
9	0	1	2	3	4	5	6				
7	8	9	0	1	2	3	4				
5	6	7	8	9	0	1	2				
3	4	5	6	7	8	9	0				
1	2	3	4	5	6	7	8				
9	0	1	2	3	4	5	6				
7	8	9	0	1	2	3	4				
5	6	7	8	9	0	1	2				
3	4	5	6	7	8	9	0				
1	2	3	4	5	6	7	8				
9	0	1	2	3	4	5	6				
7	8	9	0	1	2	3	4				
5	6	7	8	9	0	1	2				
3	4	5	6	7	8	9	0				
1	2	3	4	5	6	7	8				
9	0	1	2	3	4	5	6				
7	8	9	0	1	2	3	4				
5	6	7	8	9	0	1	2				
3	4	5	6	7	8	9	0				
1	2	3	4	5	6	7	8				
9	0	1	2	3	4	5	6				
7	8	9	0	1	2	3	4				
5	6	7	8	9	0	1	2				
3	4	5	6	7	8	9	0				
1	2	3	4	5	6	7	8				
9	0	1	2	3	4	5	6				
7	8	9	0	1	2	3	4				
5	6	7	8	9	0	1	2				
3	4	5	6	7	8	9	0				
1	2	3	4	5	6	7	8				
9	0	1	2	3	4	5	6				
7	8	9	0	1	2	3	4				
5	6	7	8	9	0	1	2				
3	4	5	6	7	8	9	0				
1	2	3	4	5	6	7	8				
9	0	1	2	3	4	5	6				
7	8	9	0	1	2	3	4				
5	6	7	8	9	0	1	2				
3	4	5	6	7	8	9	0				
1	2	3	4	5	6	7	8				
9	0	1	2	3	4	5	6				
7	8	9	0	1	2	3	4				
5	6	7	8	9	0	1	2				
3	4	5	6	7	8	9	0				
1	2	3	4	5	6	7	8				
9	0	1	2	3	4	5	6				
7	8	9	0	1	2	3	4				
5	6	7	8	9	0	1	2				
3	4	5	6	7	8	9	0				
1	2	3	4	5	6	7	8				
9	0	1	2	3	4	5	6				
7	8	9	0	1	2	3	4				
5	6	7	8	9	0	1	2				
3	4	5	6	7	8	9	0				
1	2	3	4	5	6	7	8				
9	0	1	2	3	4	5	6				
7	8	9	0	1	2	3	4				
5	6	7	8	9	0	1	2				
3	4	5	6	7	8	9	0				
1	2	3	4	5	6	7	8				
9	0	1	2	3	4	5	6				
7	8	9	0	1	2	3	4				
5	6	7	8	9	0	1	2				
3	4	5	6	7	8	9	0				
1	2	3	4	5	6	7	8				
9	0	1	2	3	4	5	6				
7	8	9	0	1	2	3	4				
5	6	7	8	9	0	1	2				
3	4	5	6	7	8	9	0				
1	2	3	4	5	6	7	8				
9	0	1	2	3	4	5	6				
7	8	9	0	1	2	3	4				
5	6	7	8	9	0	1	2				
3	4	5	6	7	8	9	0				
1	2	3	4	5	6	7	8				
9	0	1	2	3	4	5	6				
7	8	9	0	1	2	3	4				
5	6	7	8	9	0	1	2				
3	4	5	6	7	8	9	0				
1	2	3	4	5	6	7	8				
9	0	1	2	3	4	5	6				
7	8	9	0	1	2	3	4				
5	6	7	8	9	0	1	2				
3	4	5	6	7	8	9	0				
1	2	3	4	5	6	7	8				
9	0	1	2	3	4	5	6				
7	8	9	0	1	2	3	4				
5	6	7	8	9	0	1	2				
3	4	5	6	7	8	9	0				
1	2	3	4	5	6	7	8				
9	0	1	2	3	4	5	6				
7	8	9	0	1	2	3	4				
5	6	7	8	9	0	1	2				
3	4	5	6	7	8	9	0				
1	2	3	4	5	6	7	8				
9	0	1	2	3	4	5	6				
7	8	9	0	1	2	3	4				
5	6	7	8	9	0	1	2				
3	4	5	6	7	8	9	0				
1	2	3	4	5	6	7	8				
9	0	1	2	3	4	5	6				
7	8	9	0	1	2	3	4				
5	6	7	8	9	0	1	2				
3	4	5	6	7	8	9	0				
1	2	3	4	5	6	7	8				
9	0	1	2	3	4	5	6				
7	8	9	0	1	2	3	4				
5	6	7	8	9	0	1	2				
3	4	5	6	7	8	9	0				
1	2	3	4	5	6	7	8				
9	0	1	2	3	4	5	6				
7	8	9	0	1	2	3	4				
5	6	7	8	9	0	1	2				
3	4	5	6	7	8	9	0				
1	2	3	4	5	6	7	8				
9	0	1	2	3	4	5	6				
7	8	9	0	1	2	3	4				
5	6	7	8	9	0	1	2				
3	4	5	6	7	8	9	0				
1	2	3	4	5	6	7	8				
9	0	1	2	3	4	5	6				
7	8	9	0	1	2	3	4				
5	6	7	8	9	0	1	2				
3	4	5	6	7	8	9	0				
1	2	3	4	5	6	7	8				
9	0	1	2	3	4	5	6				
7	8	9	0	1	2	3	4				
5	6	7	8	9	0	1	2				
3	4	5	6	7	8	9	0				
1											