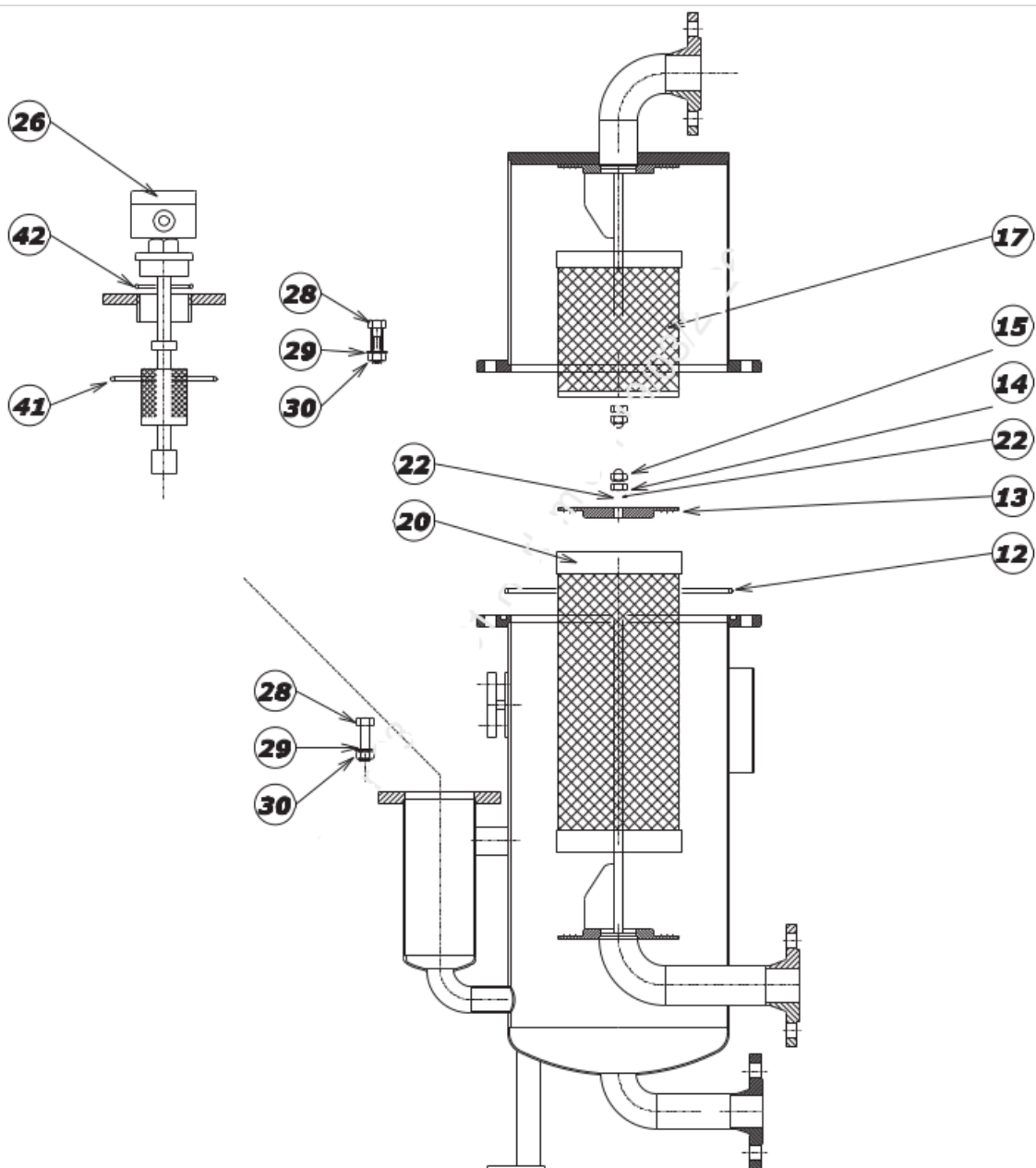


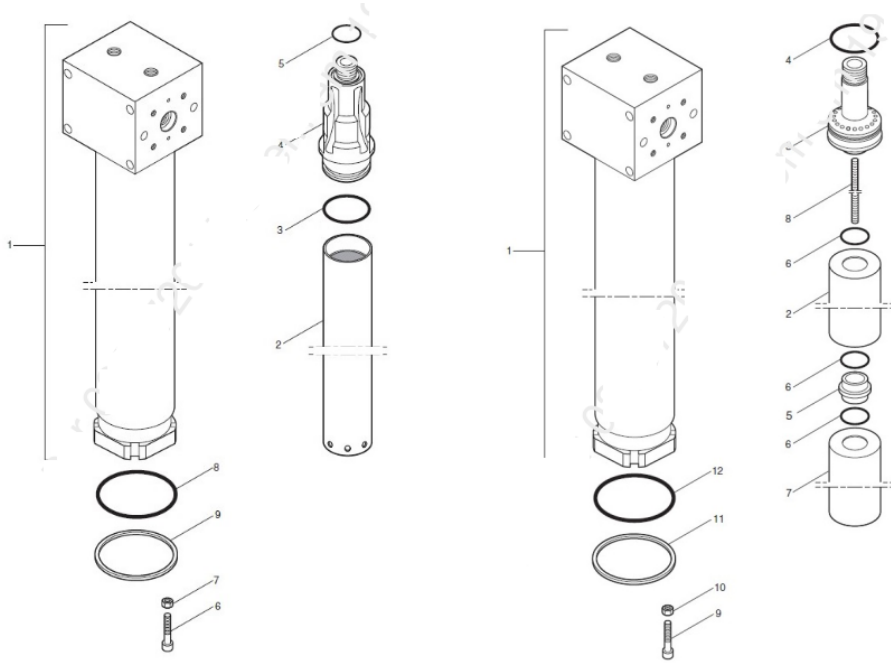


**BRAZILIAN NAVY
NAVY INDUSTRIAL DIRECTORATE
TECHNICAL DRAWING**

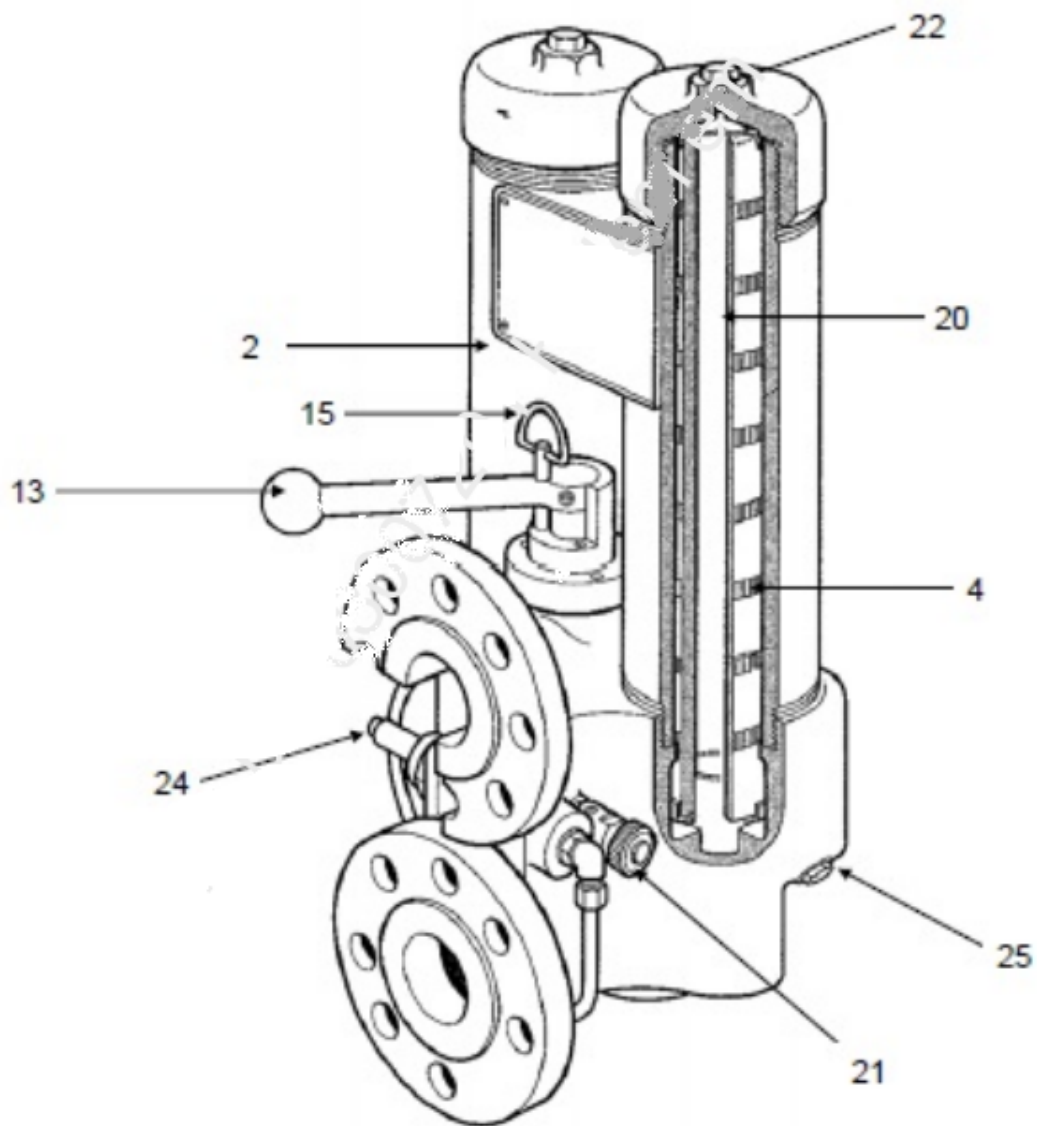
ATTACHMENT A



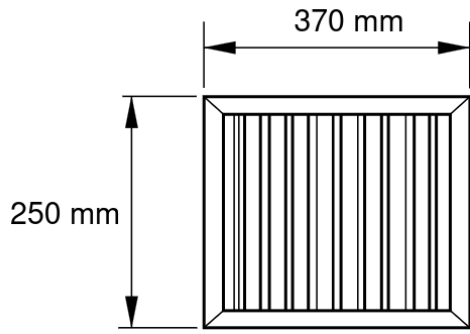
ATTACHMENT B



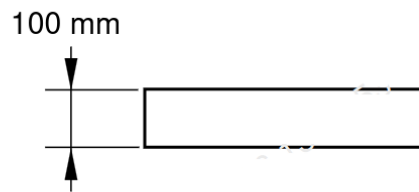
ATTACHMENT C



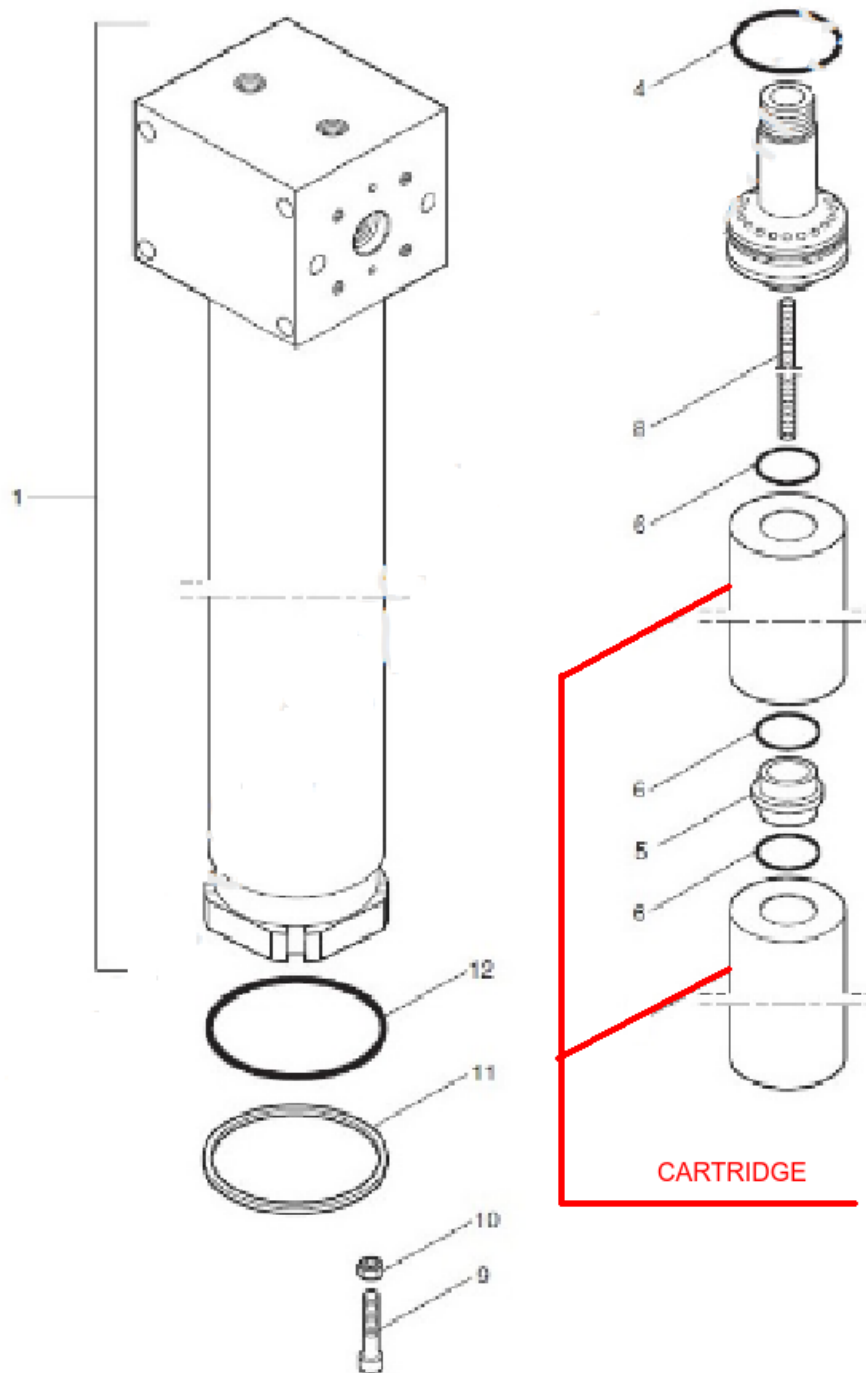
ATTACHMENT D



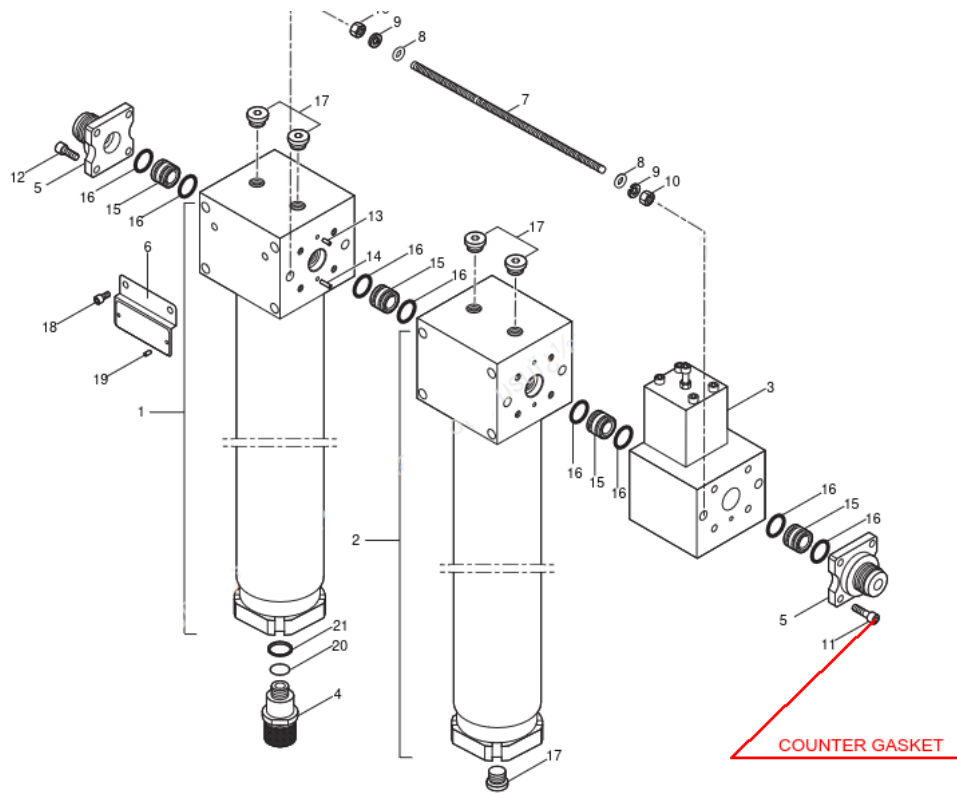
Efficiency: min. 85% gravimetry



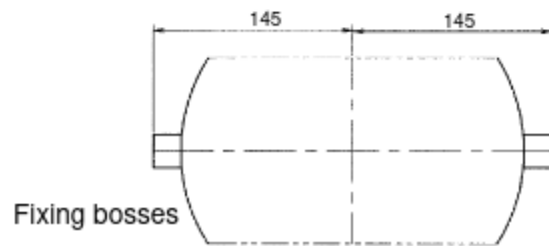
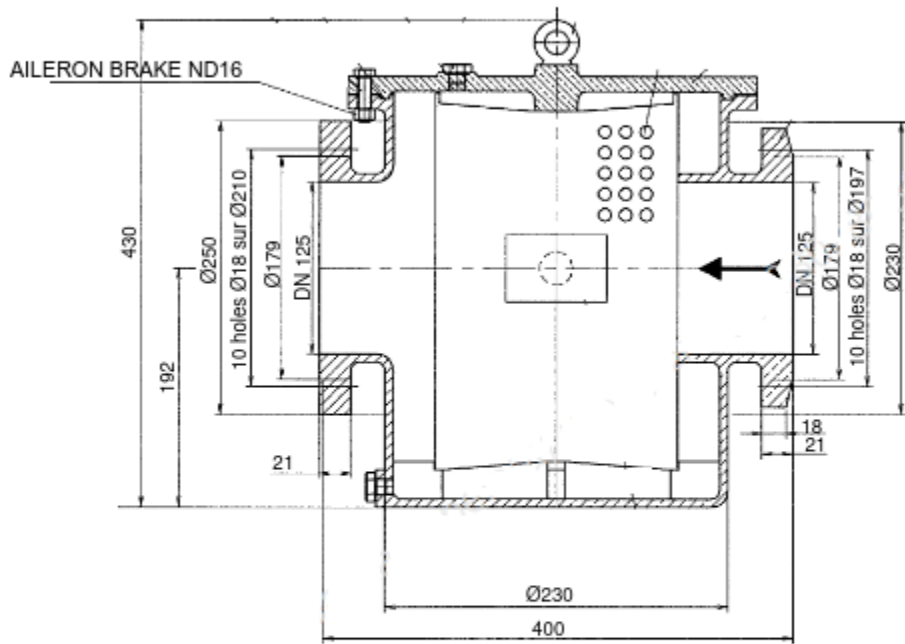
ATTACHMENT E



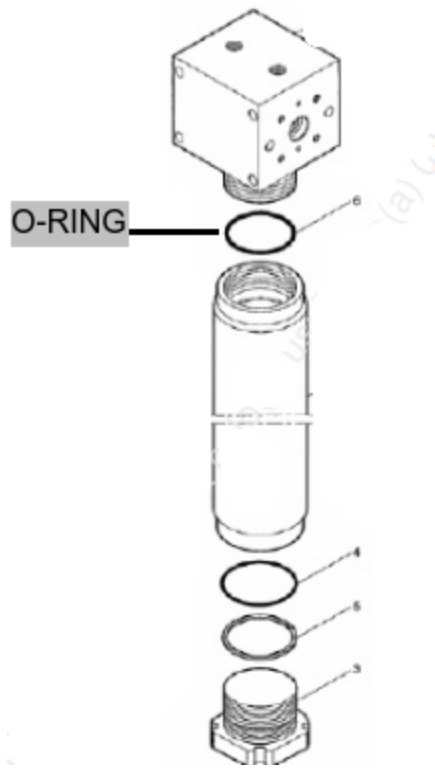
ATTACHMENT F



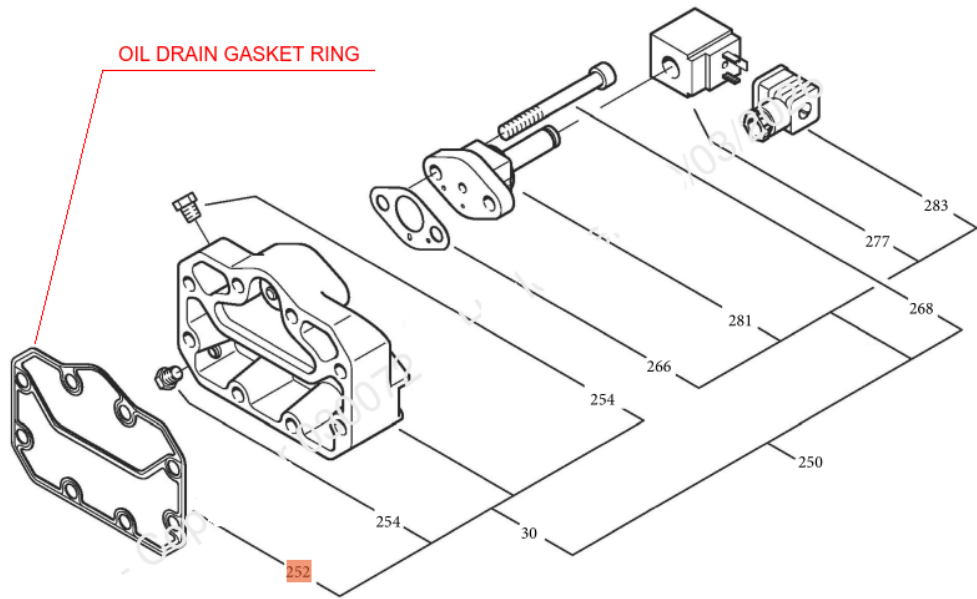
ATTACHMENT G



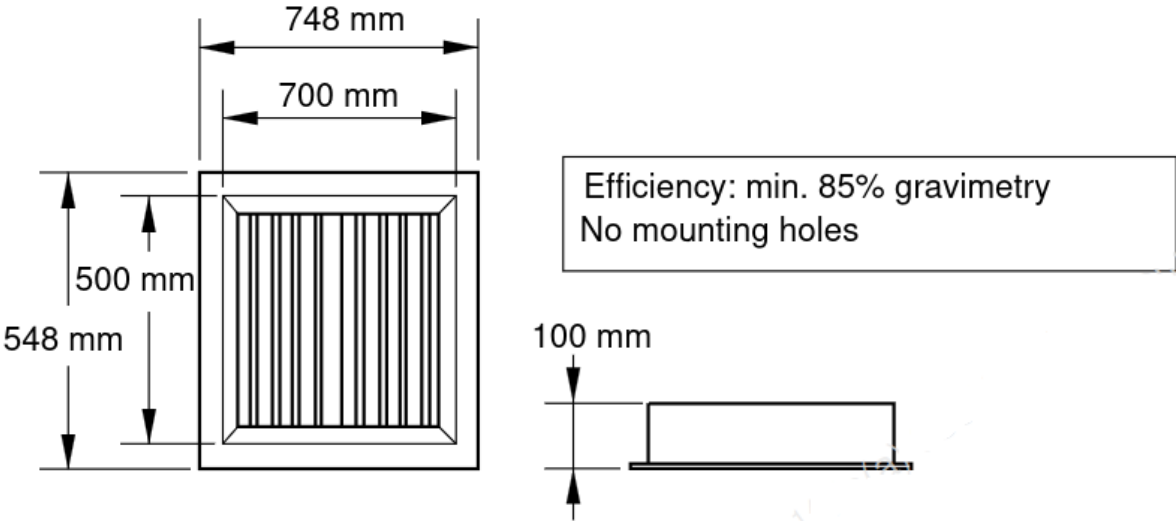
ATTACHMENT H



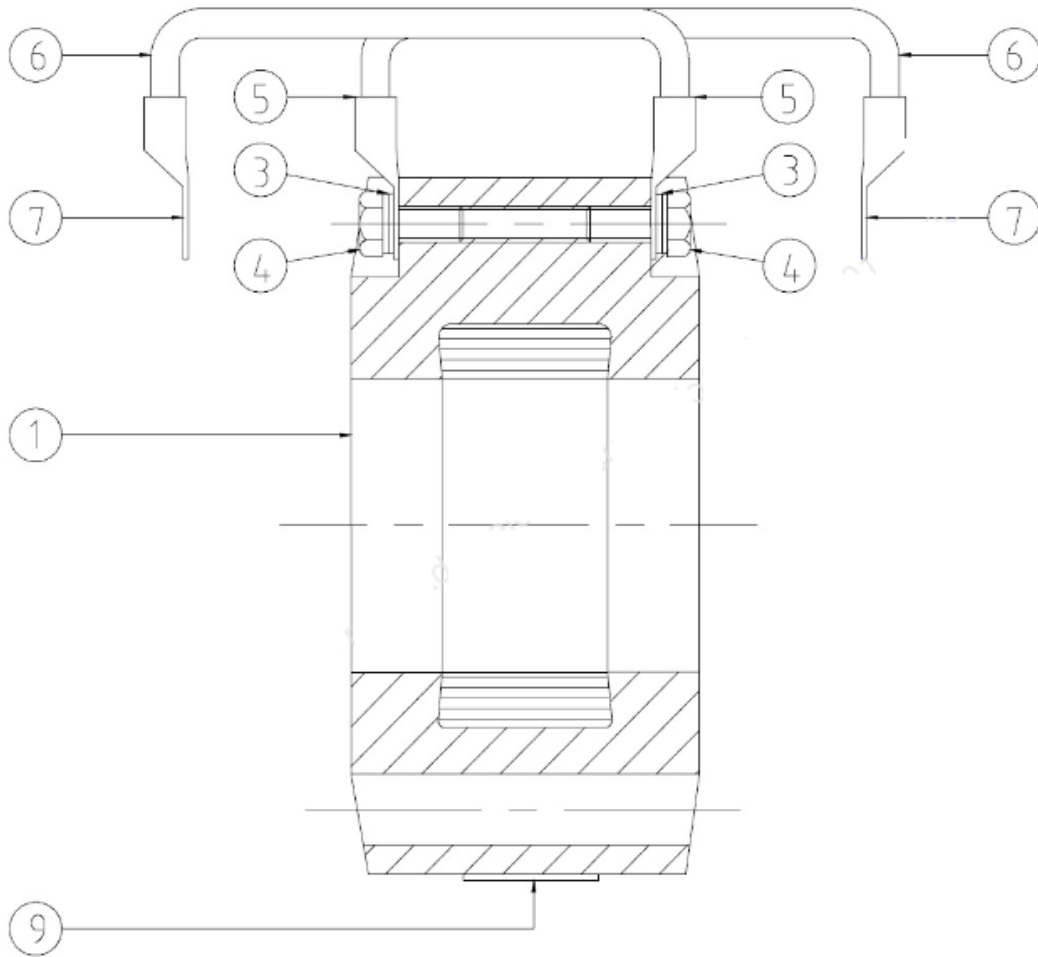
ATTACHMENT I



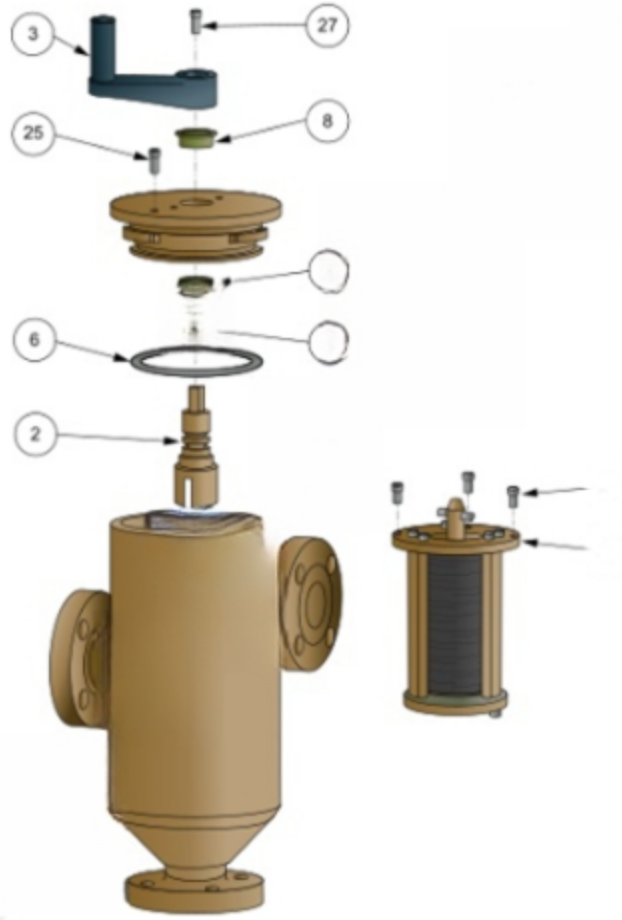
ATTACHMENT J



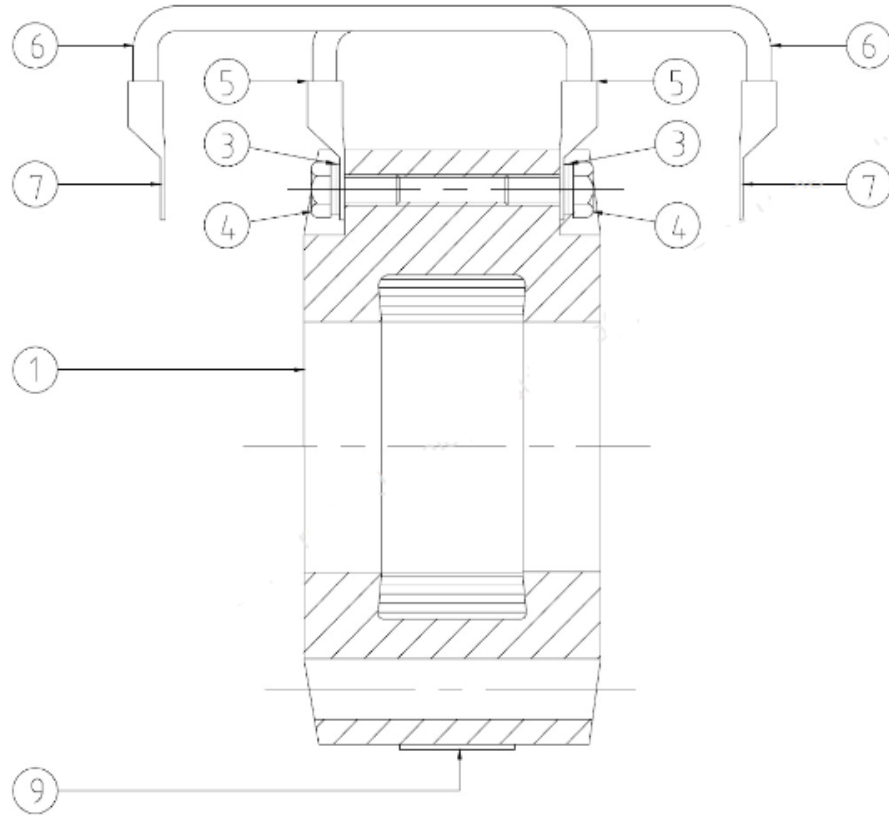
ATTACHMENT K



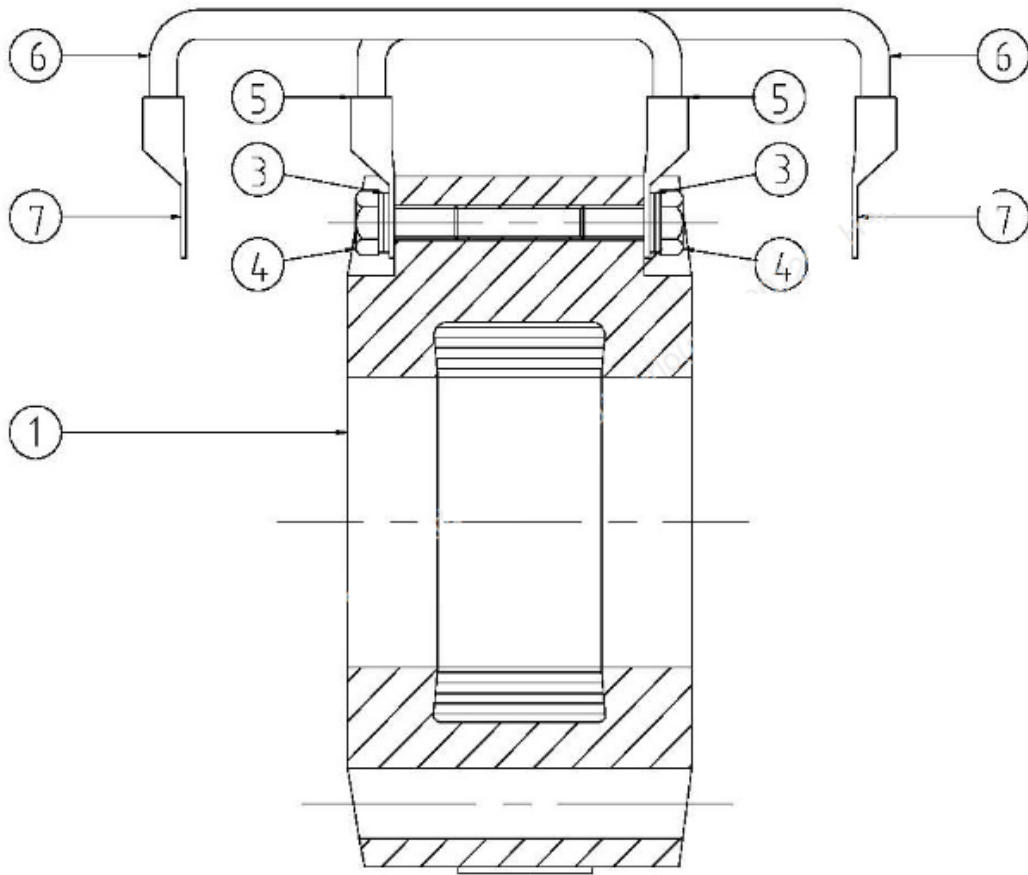
ATTACHMENT L



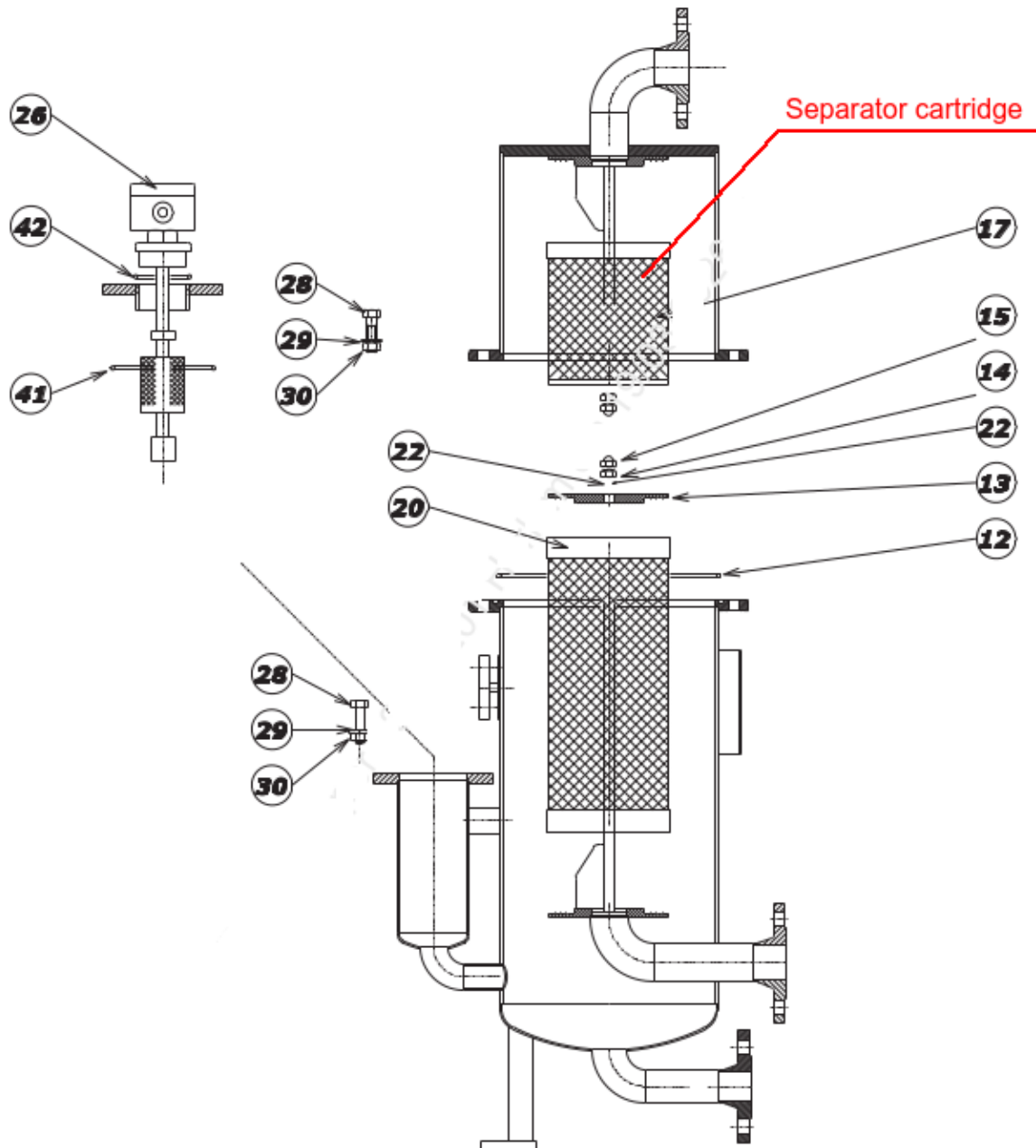
ATTACHMENT M



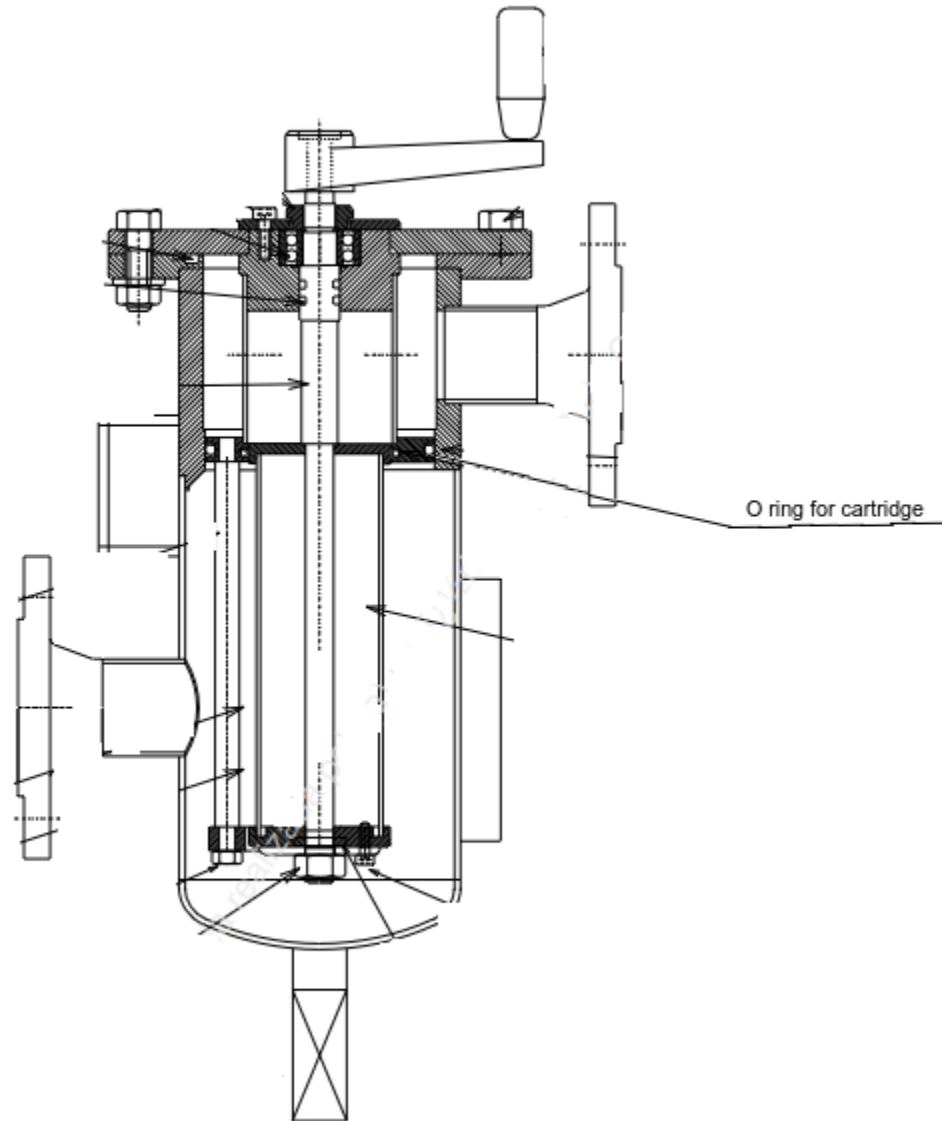
ATTACHMENT N



ATTACHMENT O



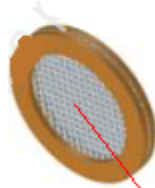
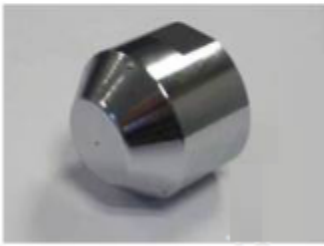
ATTACHMENT P



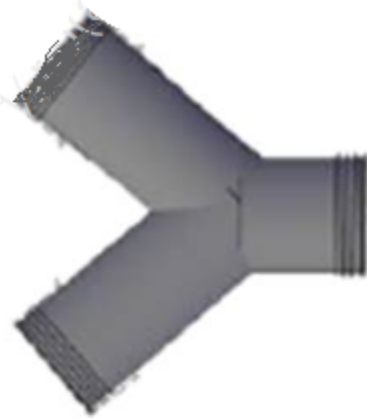
GAS OIL PRE-FILTER

us

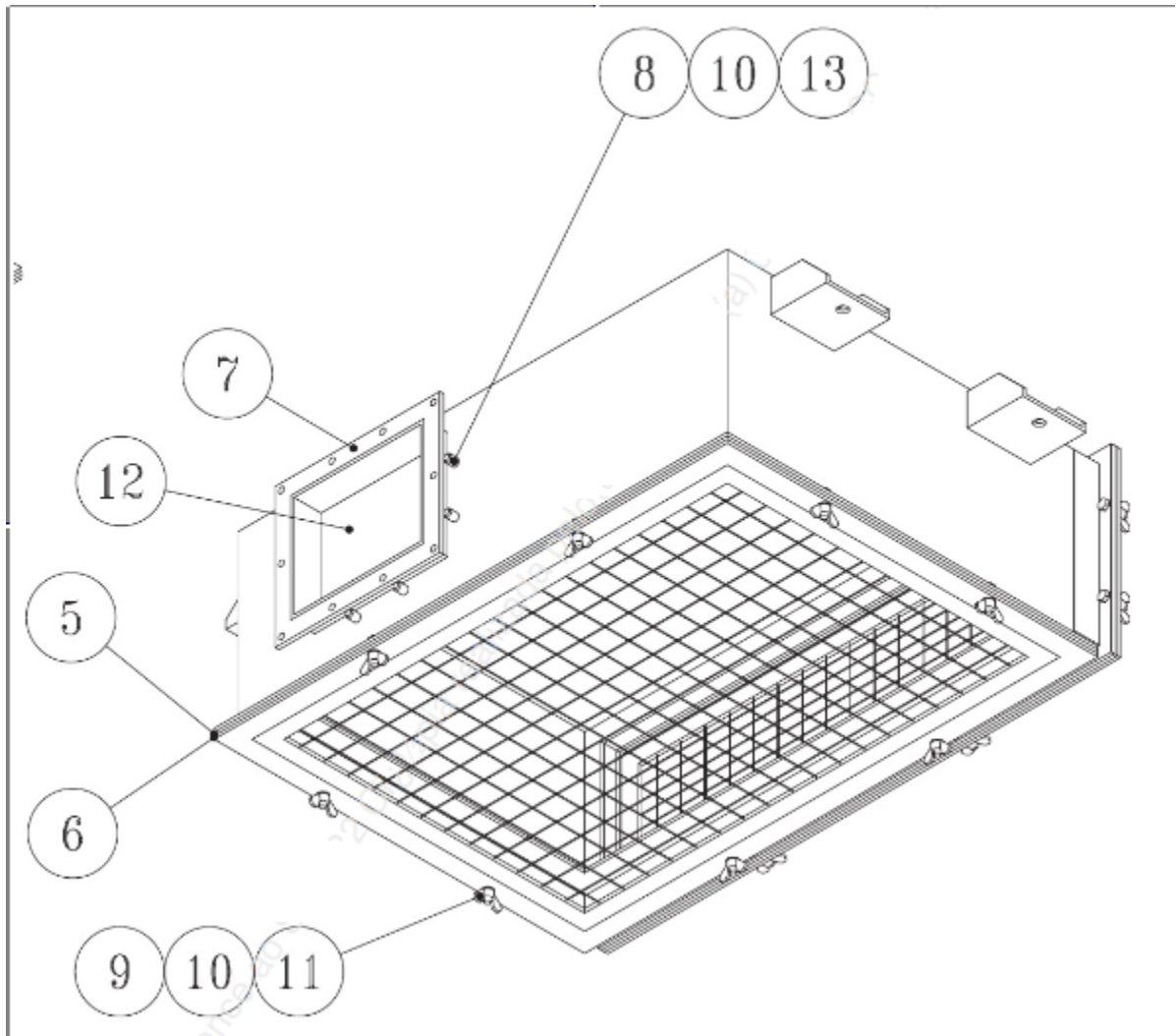
ATTACHMENT Q



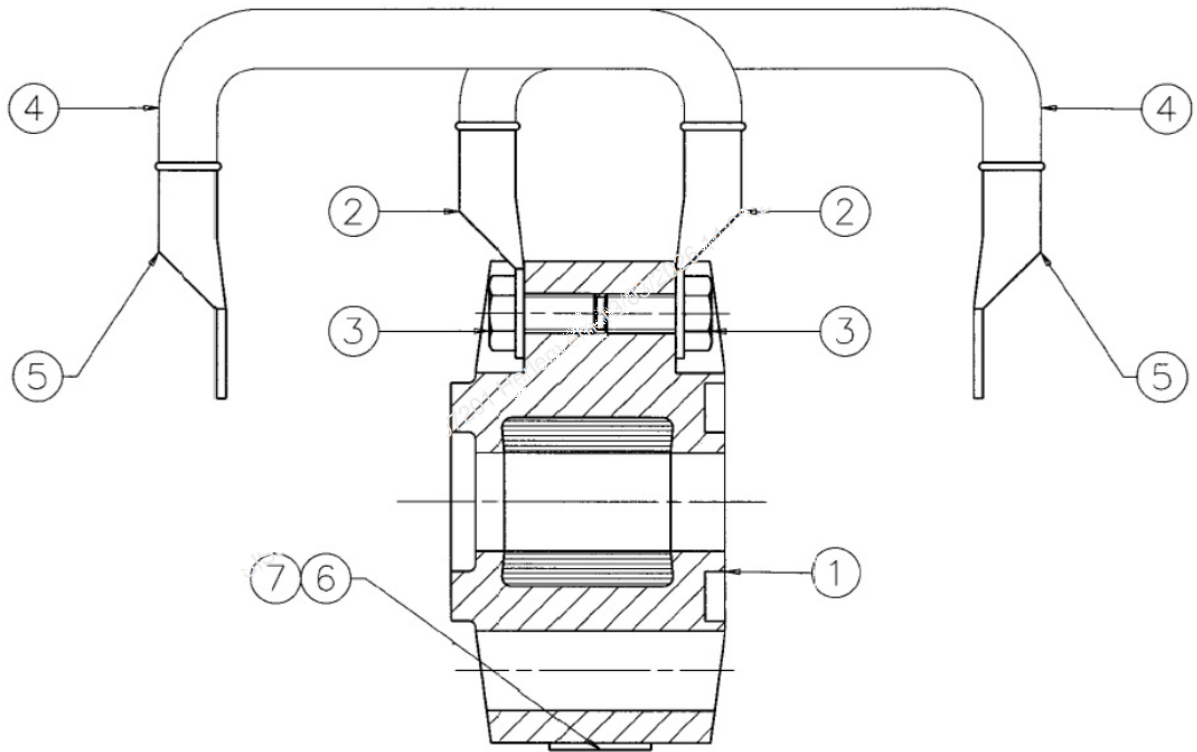
FILTER 600 MICRONS



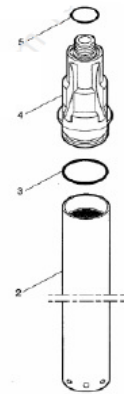
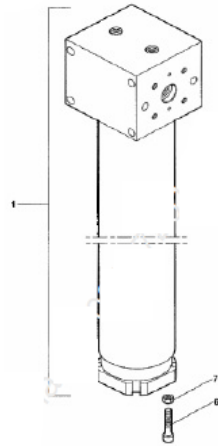
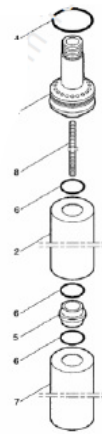
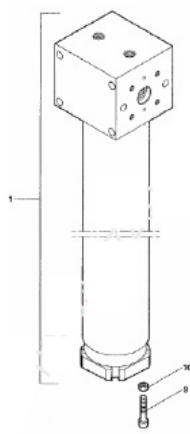
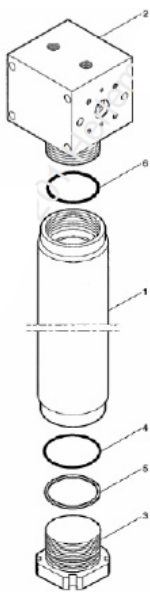
ATTACHMENT R



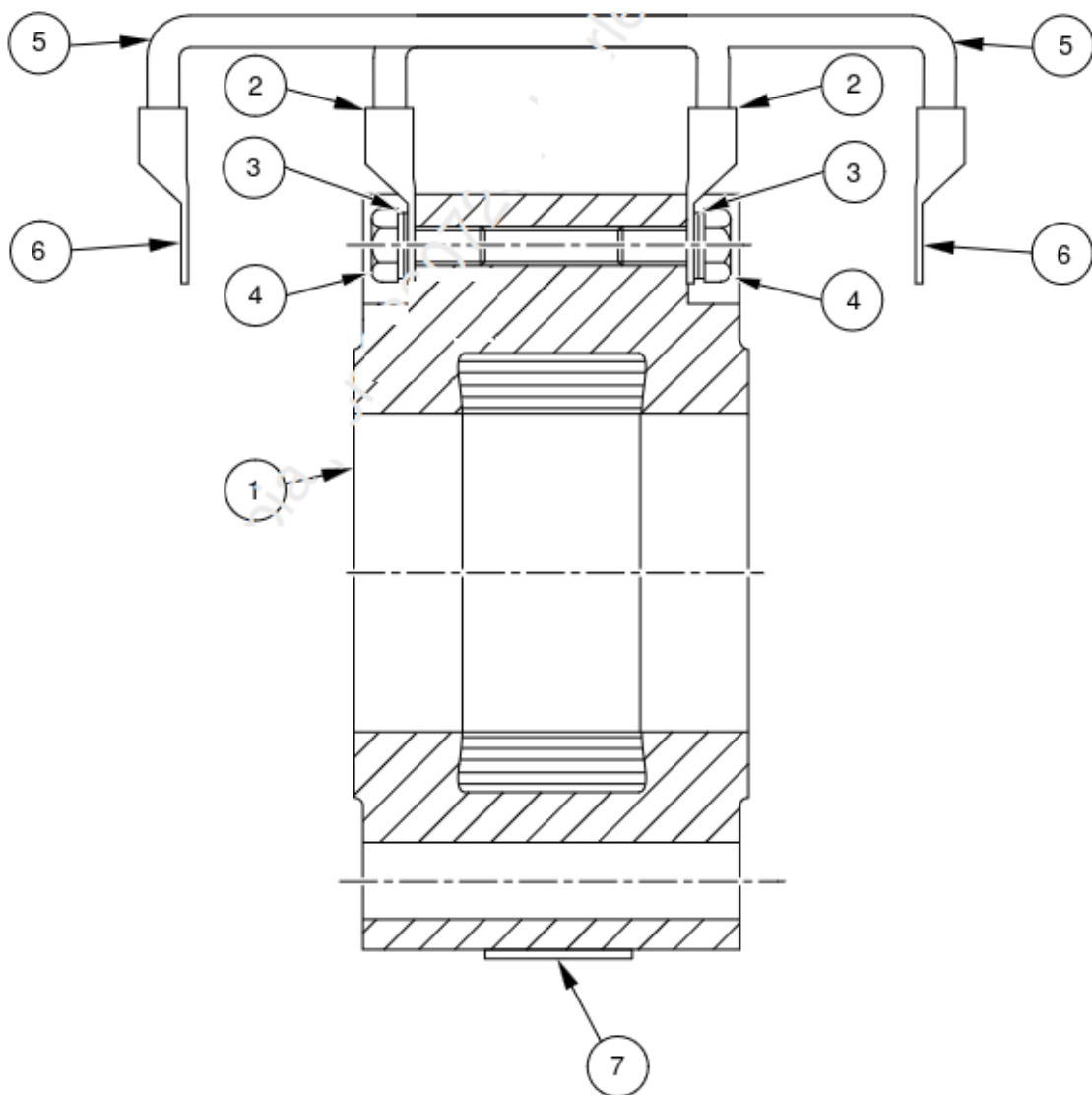
ATTACHMENT S



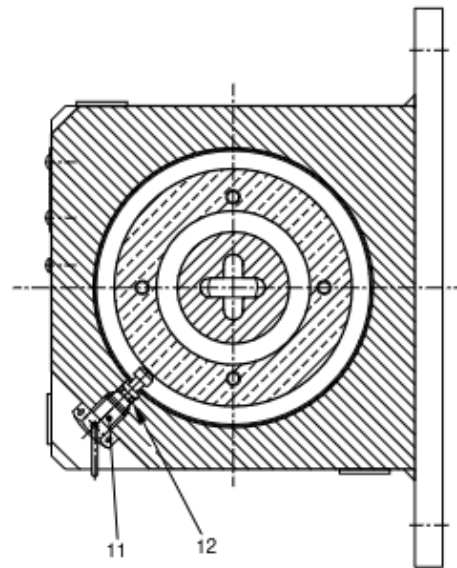
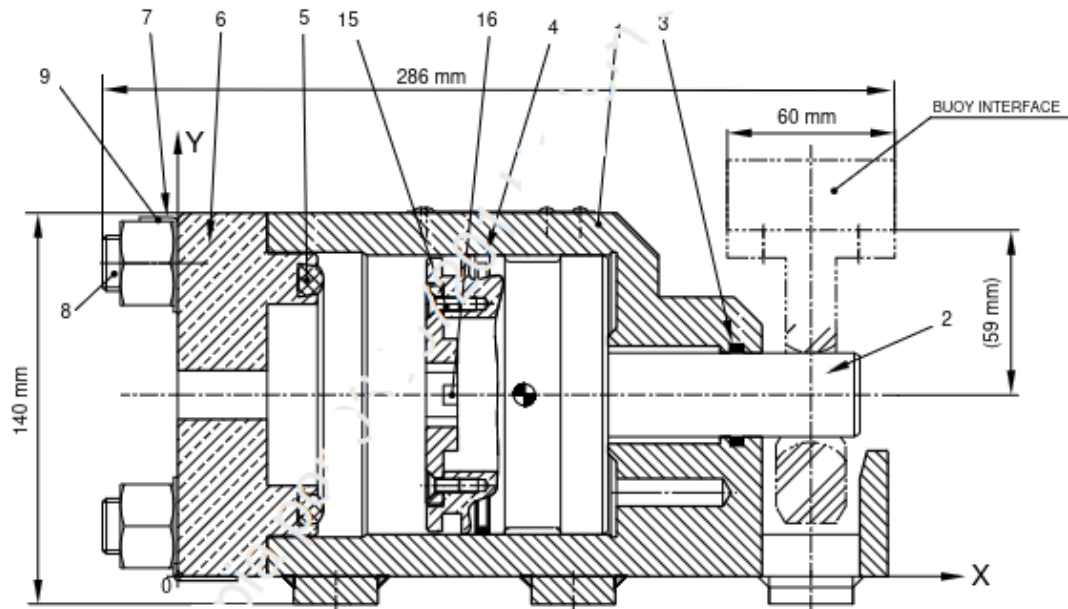
ATTACHMENT T



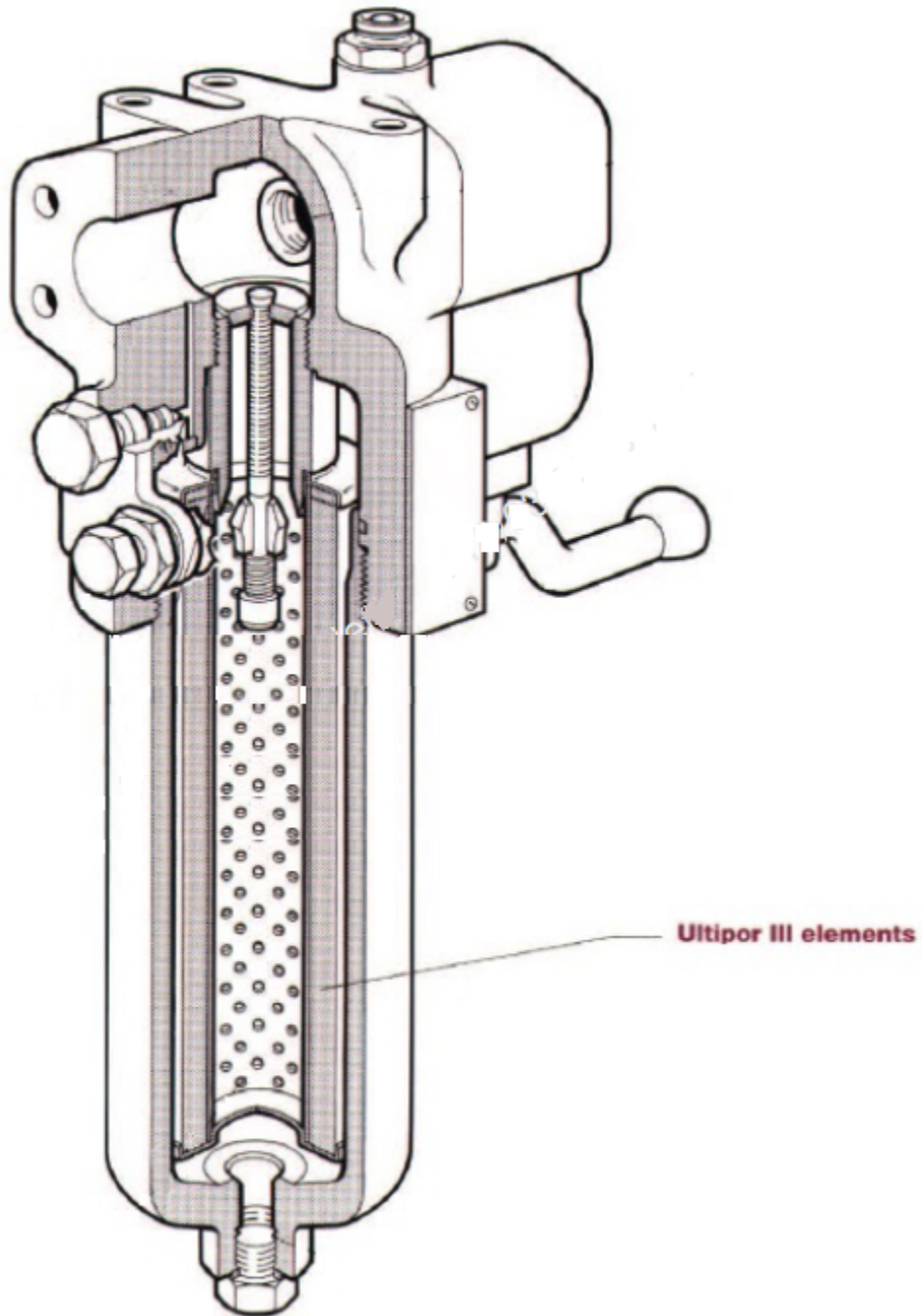
ATTACHMENT U



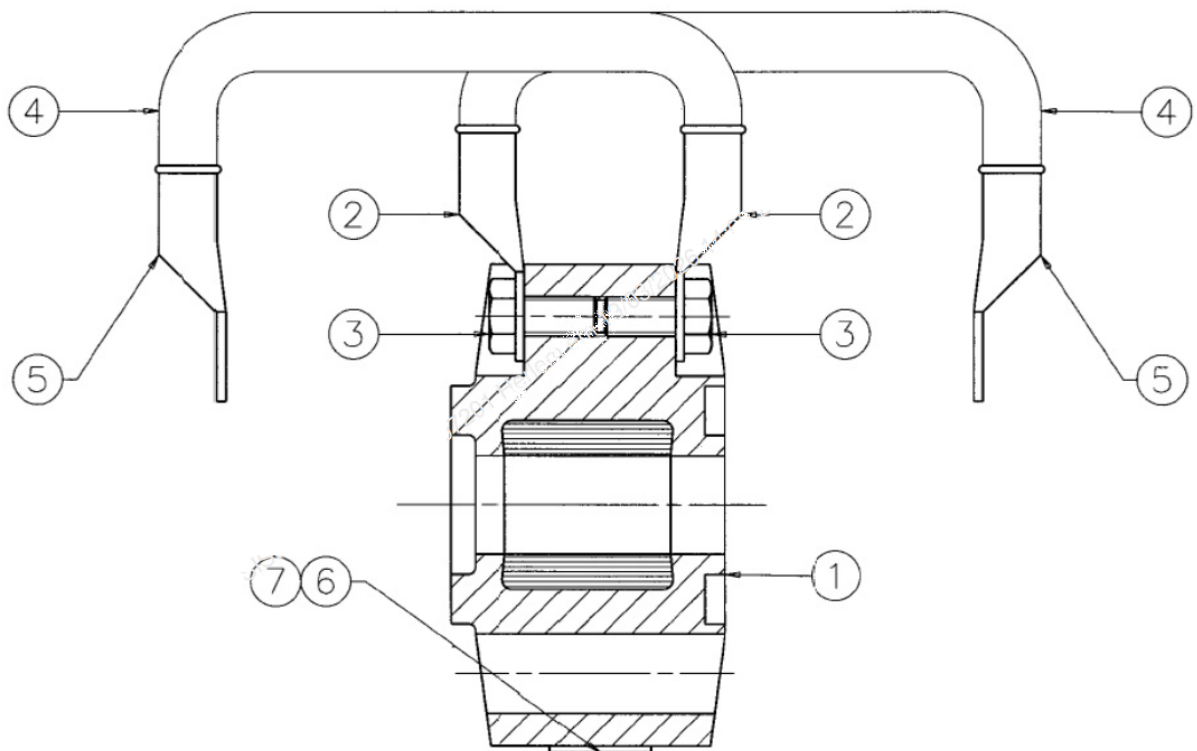
ATTACHMENT V



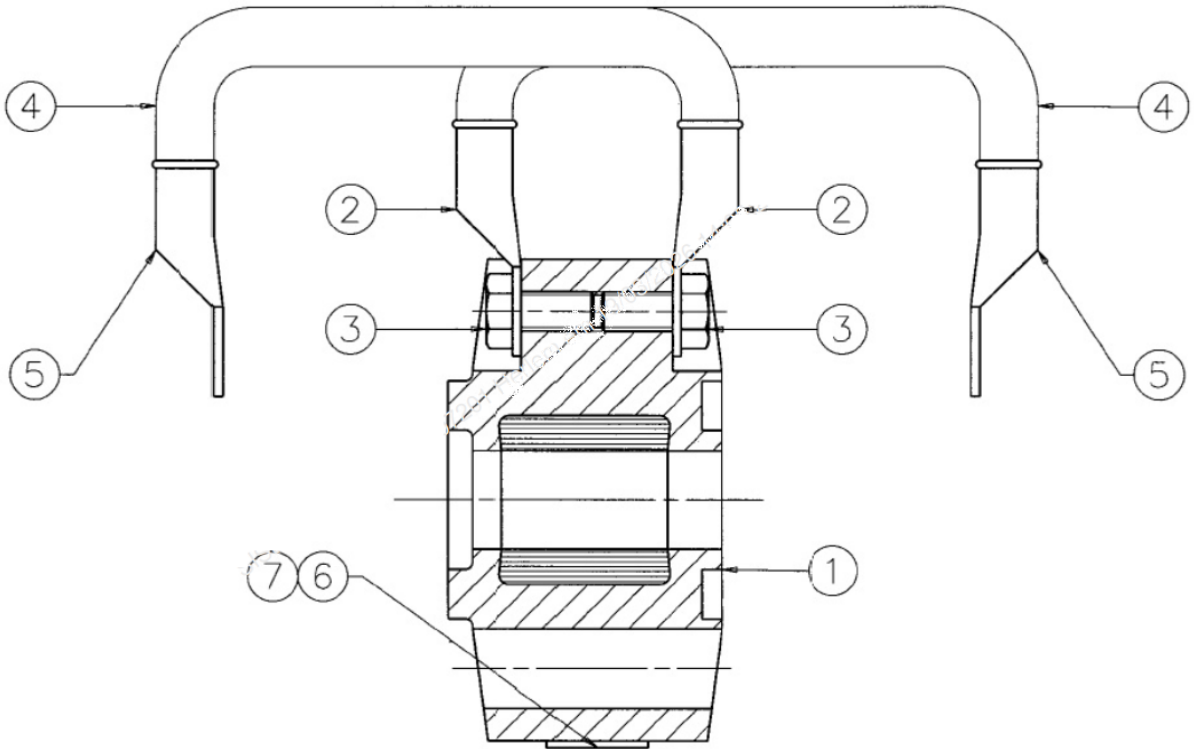
ATTACHMENT W



ATTACHMENT X



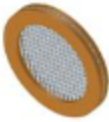
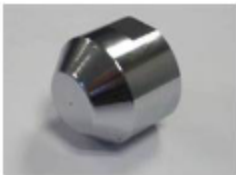
ATTACHMENT Y



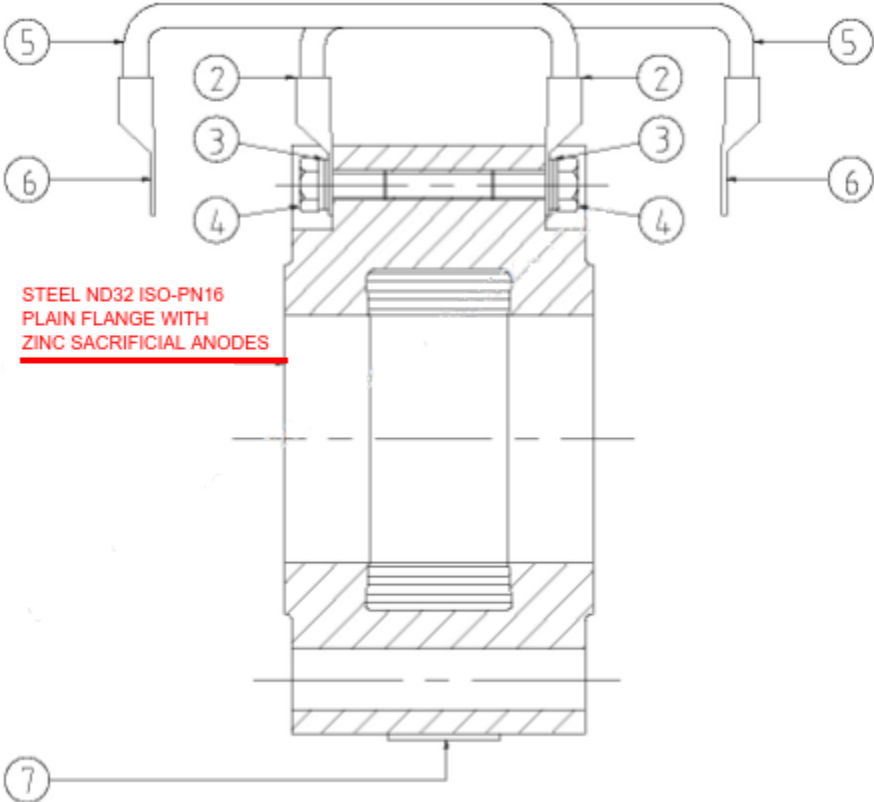
ATTACHMENT Z



ATTACHMENT AA

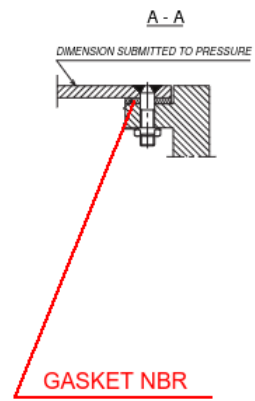
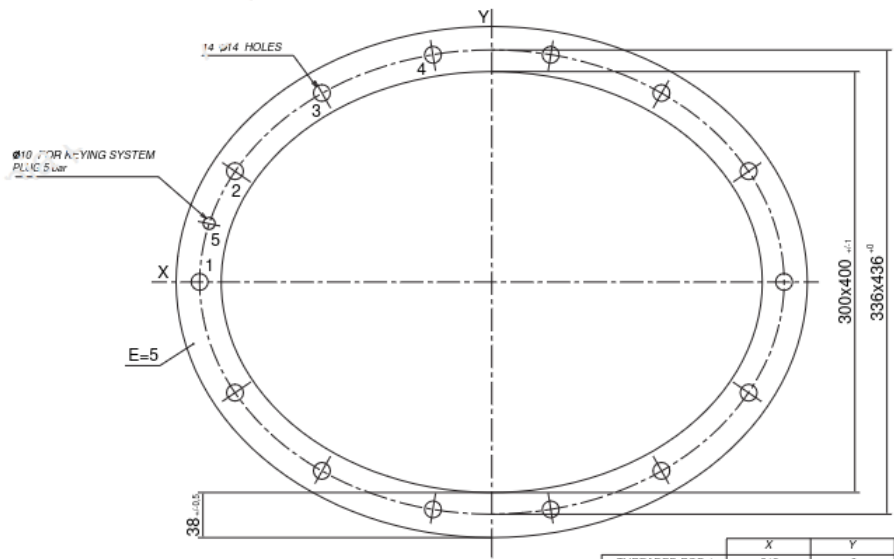


ATTACHMENT AB



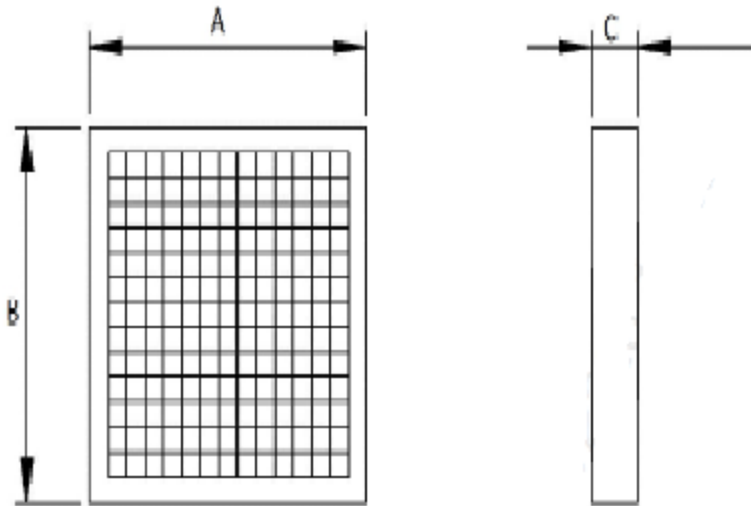
ATTACHMENT AC

GASKET FOR MANHOLE COVER 300 x 400



	X	Y
THREADED ROD 1	218	0
THREADED ROD 2	190.67	81.15
THREADED ROD 3	124.56	137.87
THREADED ROD 4	42.28	164.08
KEYING SYSTEM 5	210.82	42.73

ATTACHMENT AD



GREASE SEAVE FILTER
600X450X20

FELIPE GOMES FONTES
Lieutenant-Commander
Ship Manager

ASSINADO DIGITALMENTE