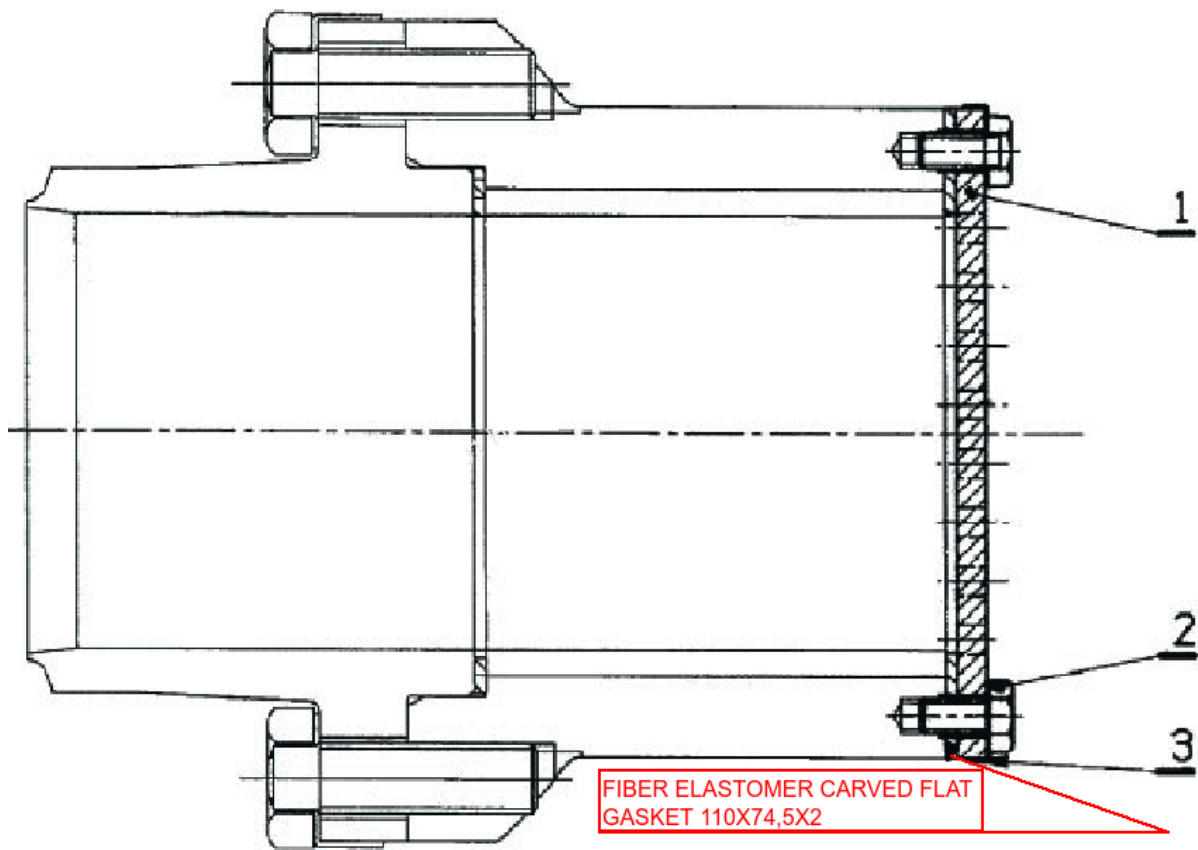


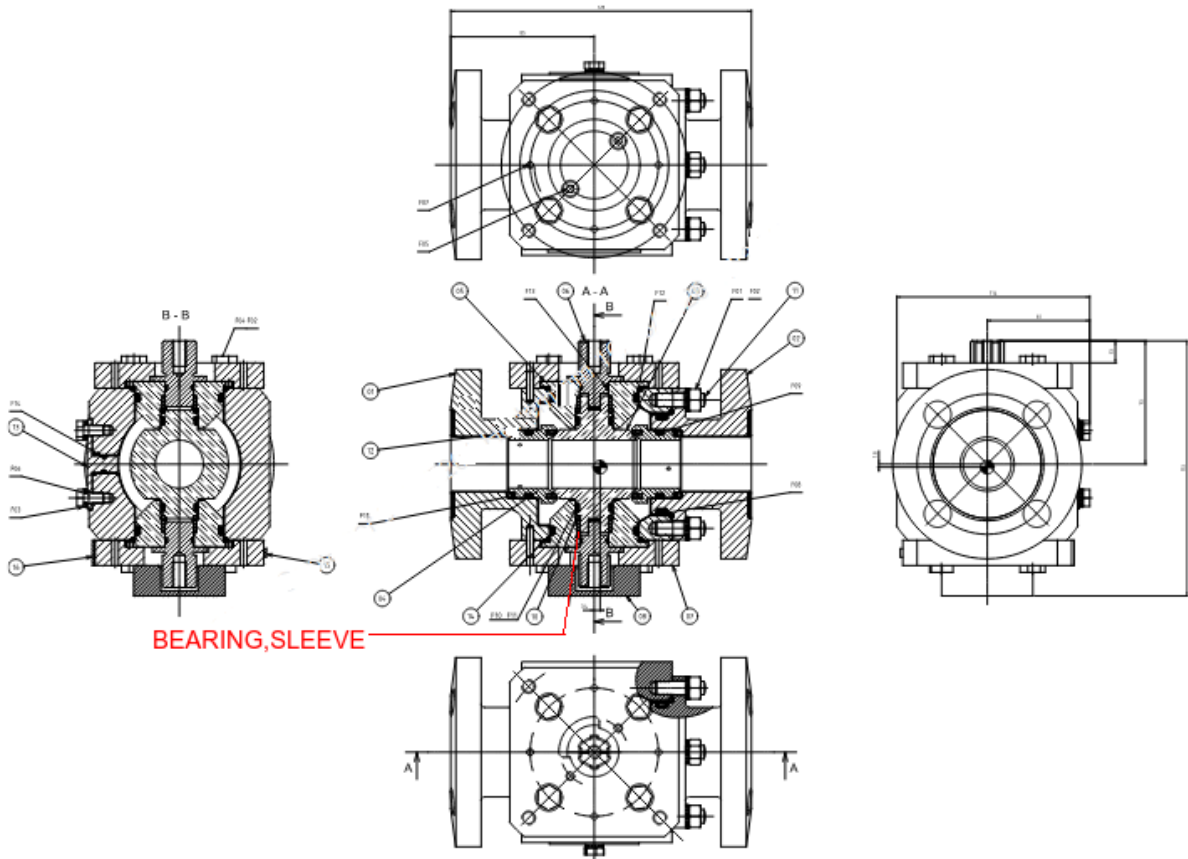


BRAZILIAN NAVY
NAVY INDUSTRIAL DIRECTORATE
TECHNICAL DRAWING

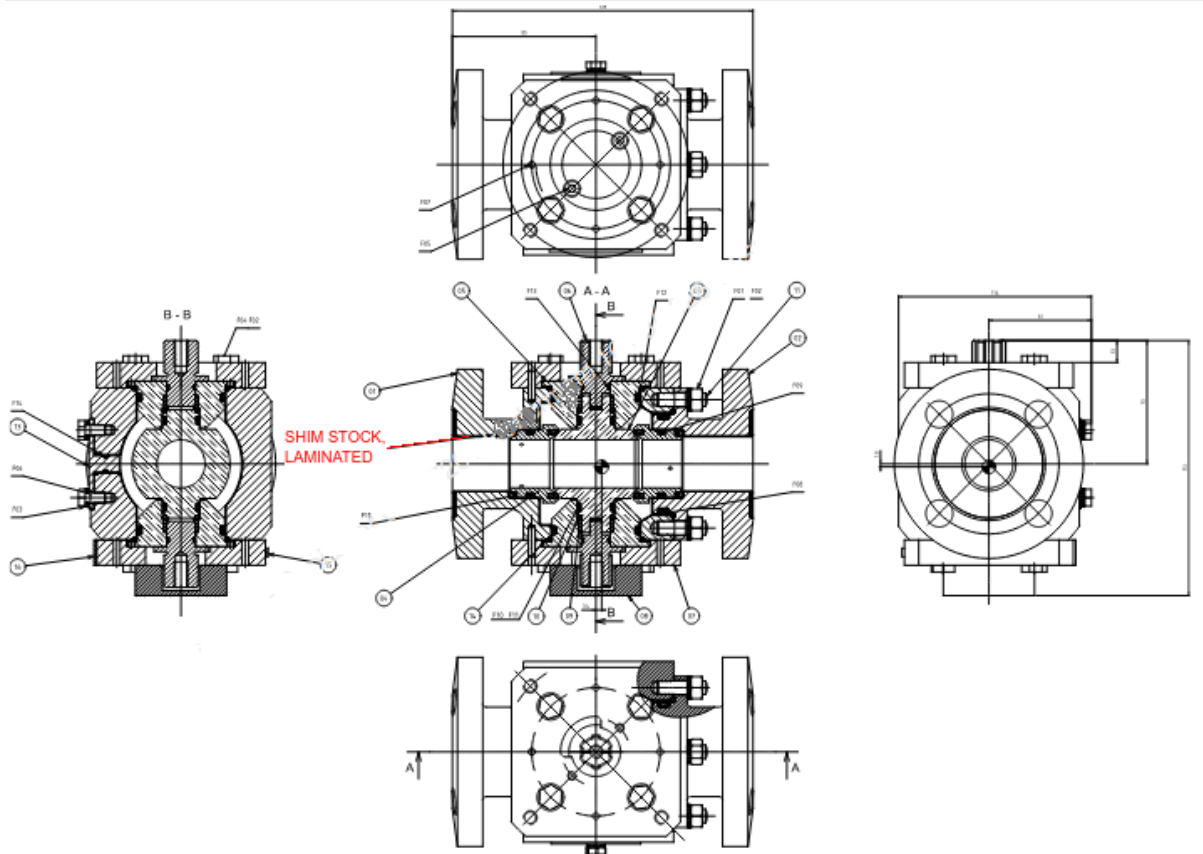
ATTACHMENT A



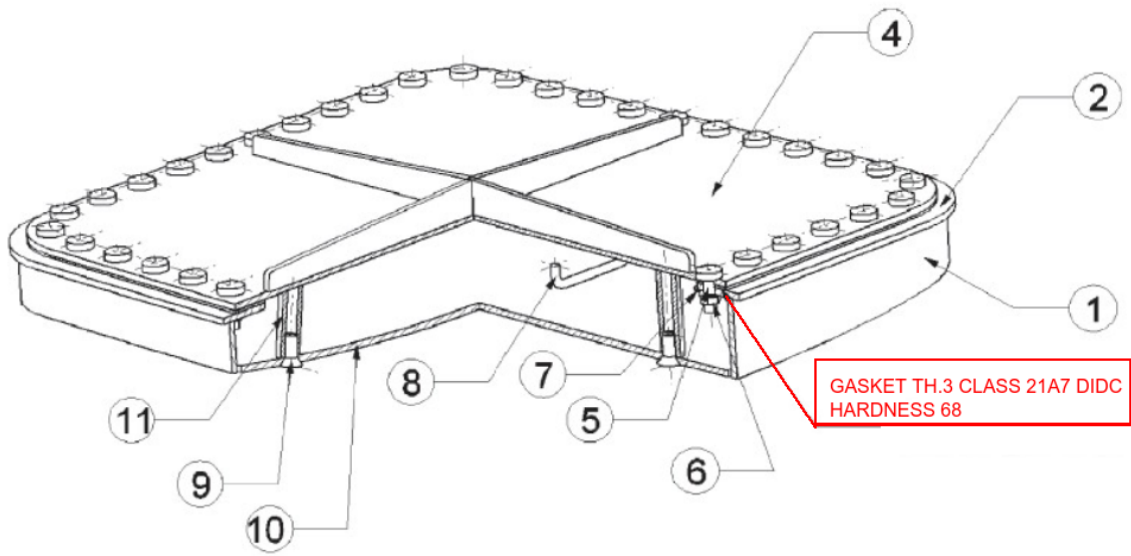
ATTACHMENT B



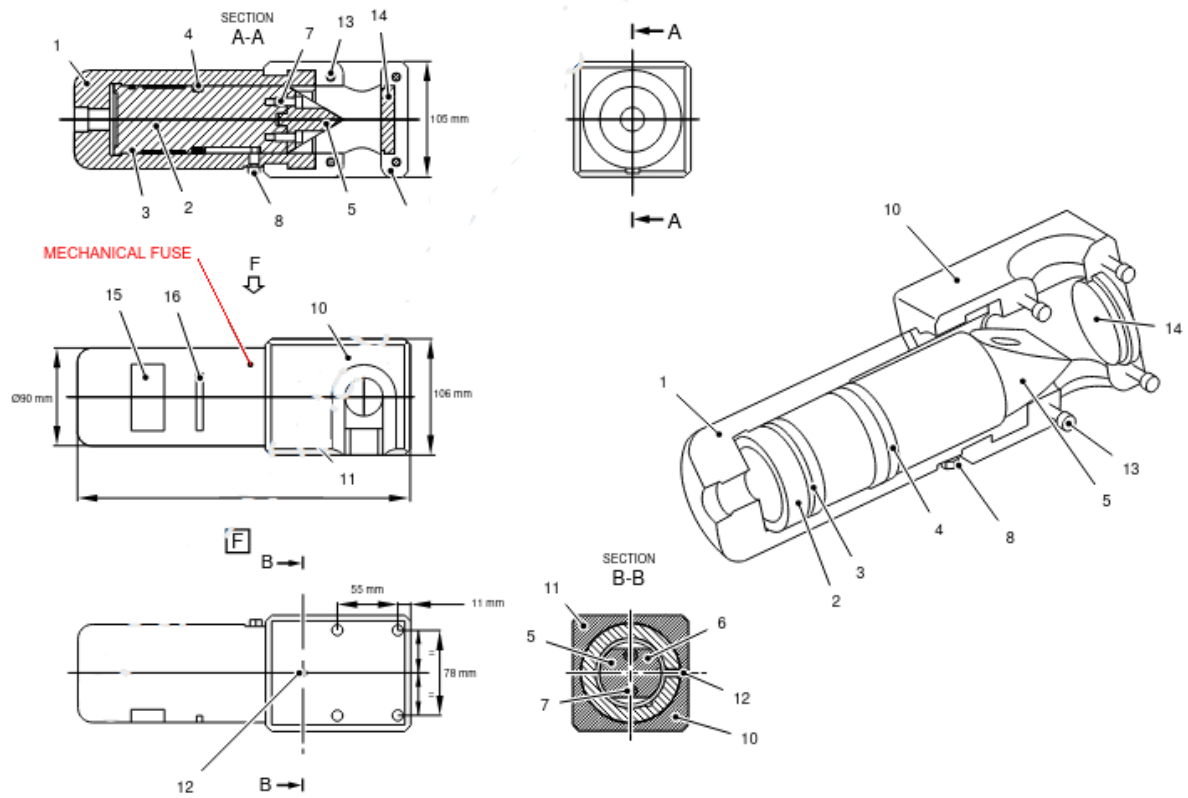
ATTACHMENT C



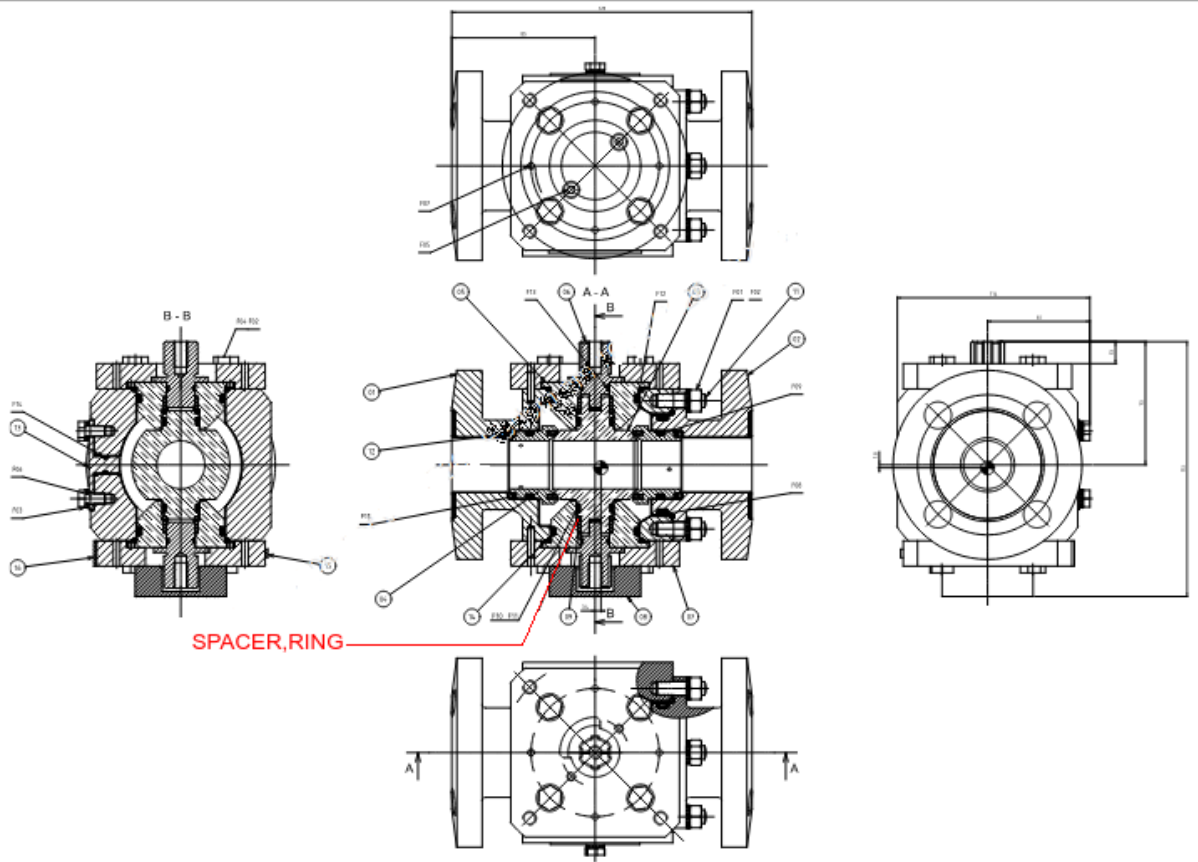
ATTACHMENT D



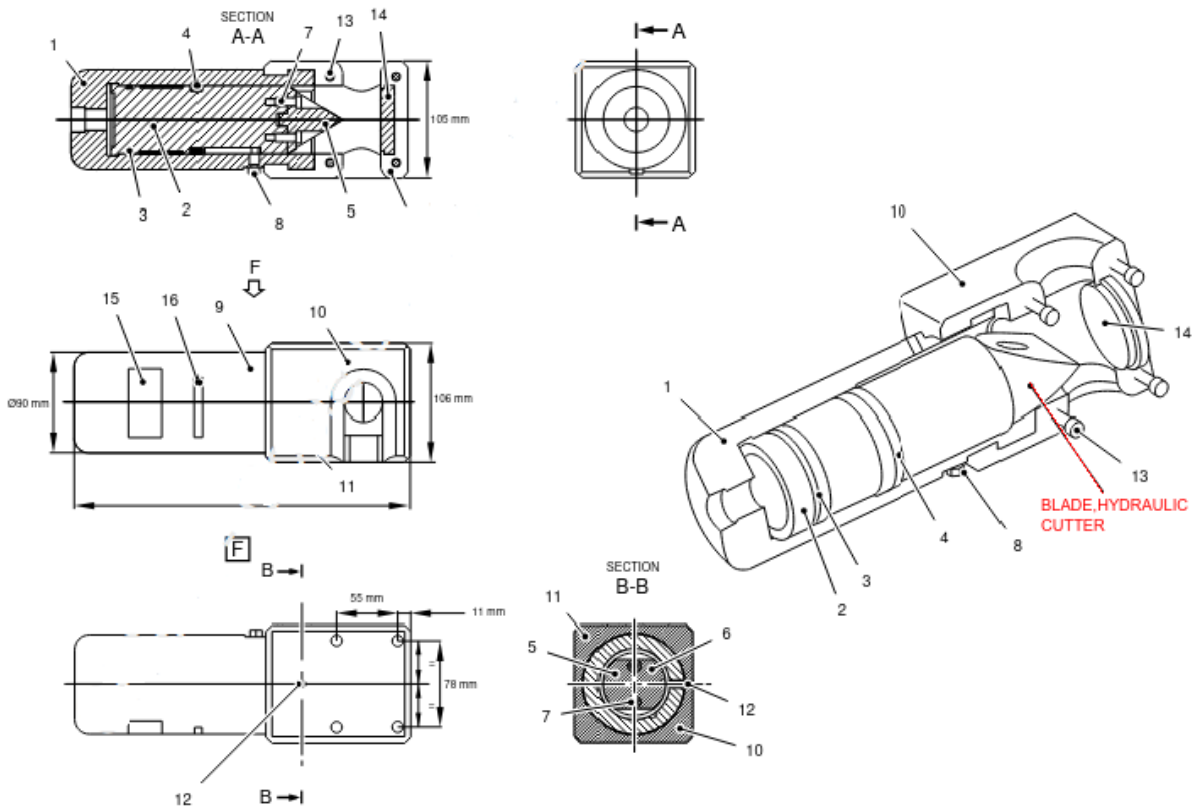
ATTACHMENT E



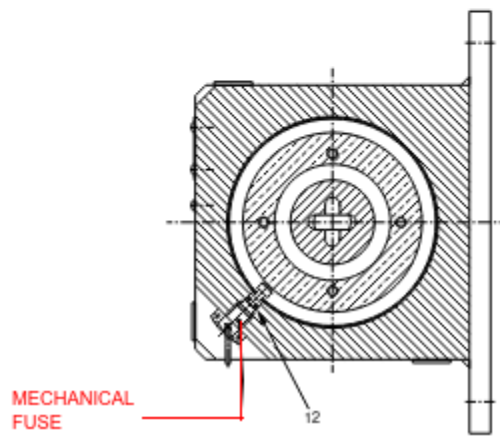
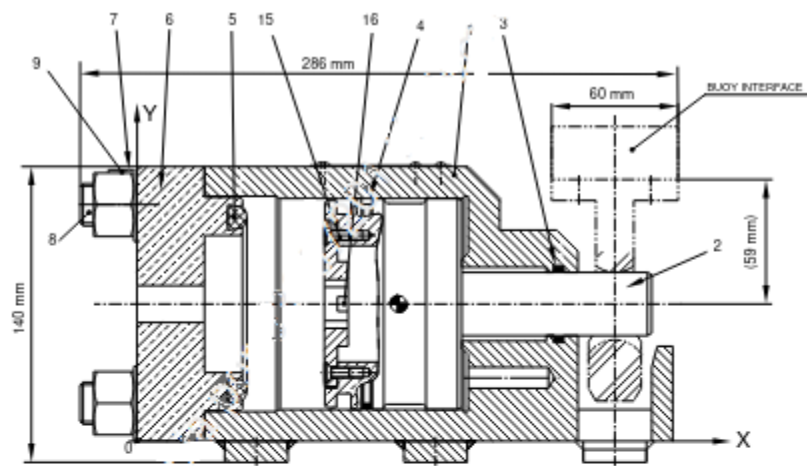
ATTACHMENT F



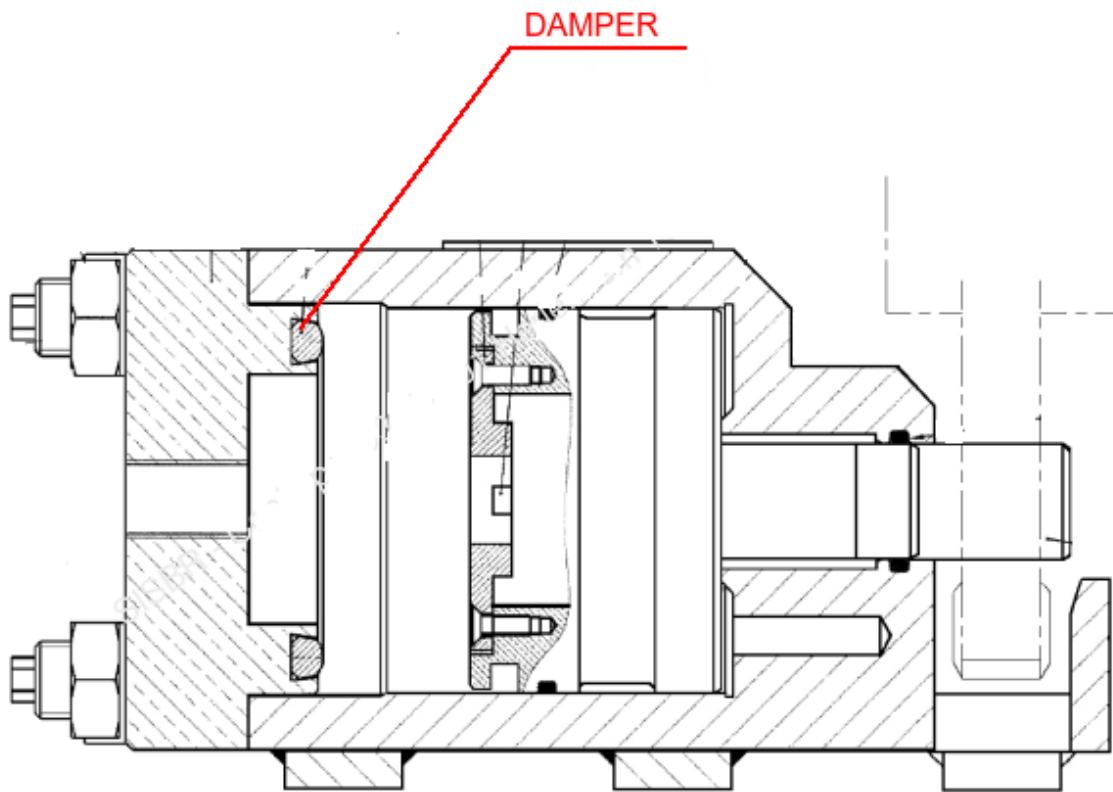
ATTACHMENT G



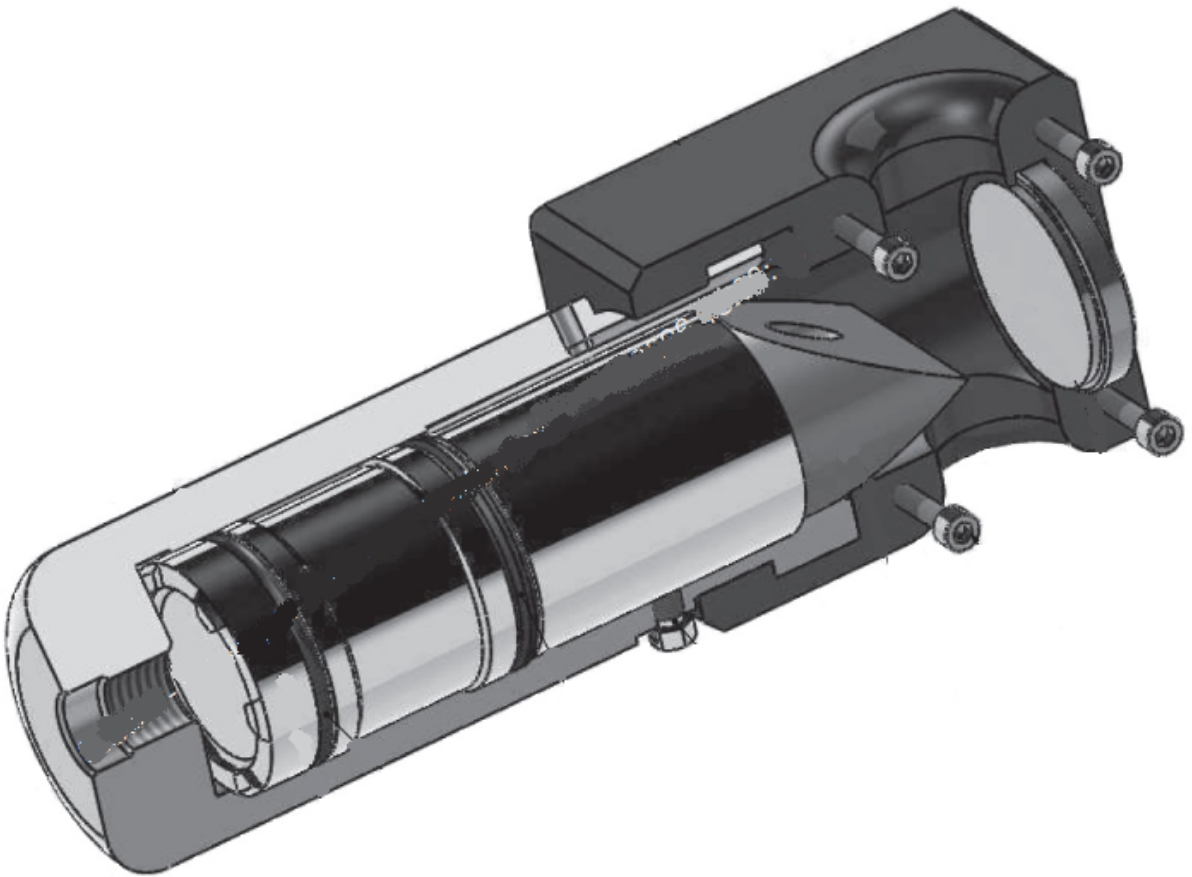
ATTACHMENT H



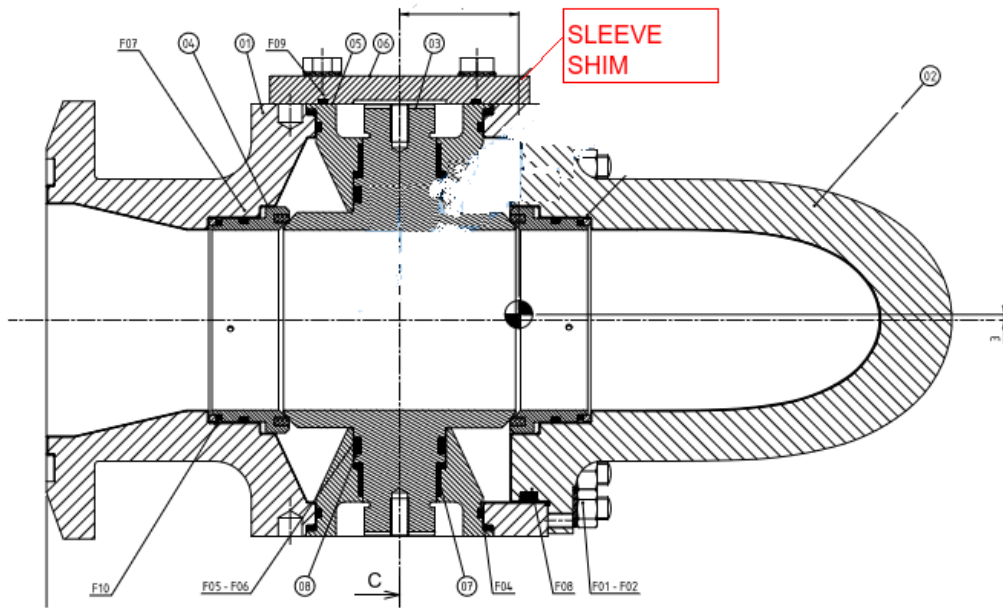
ATTACHMENT I



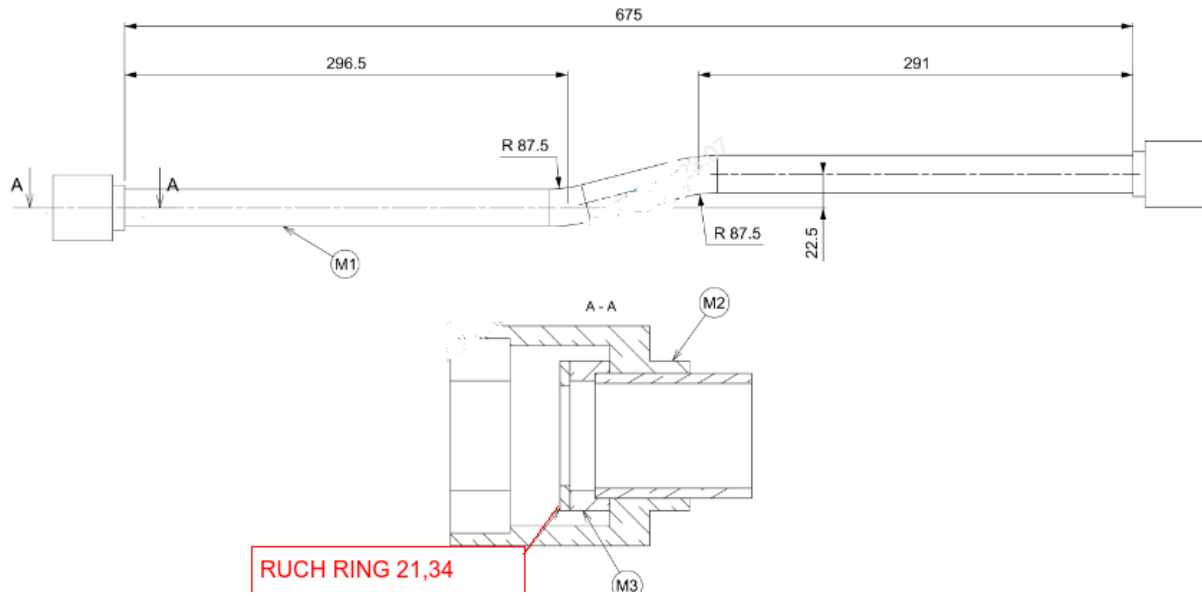
ATTACHMENT J

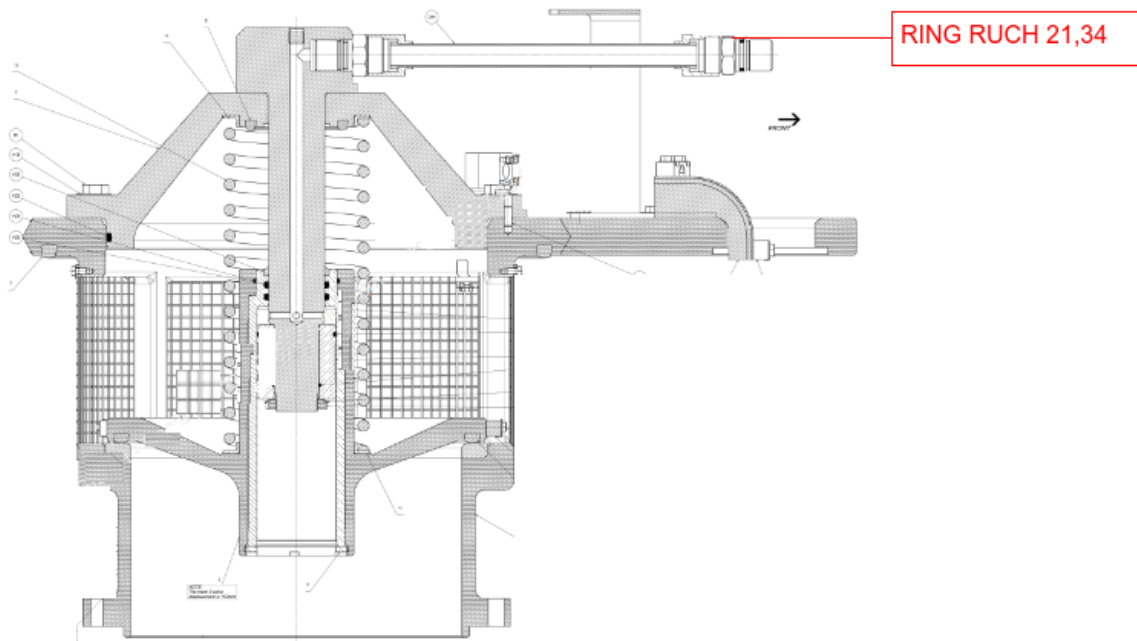


ATTACHMENT K



ATTACHMENT M





BRUCE ENGLE FRÓES
Lieutenant-Commander
Ship Manager Auxiliary
ASSINADO DIGITALMENTE