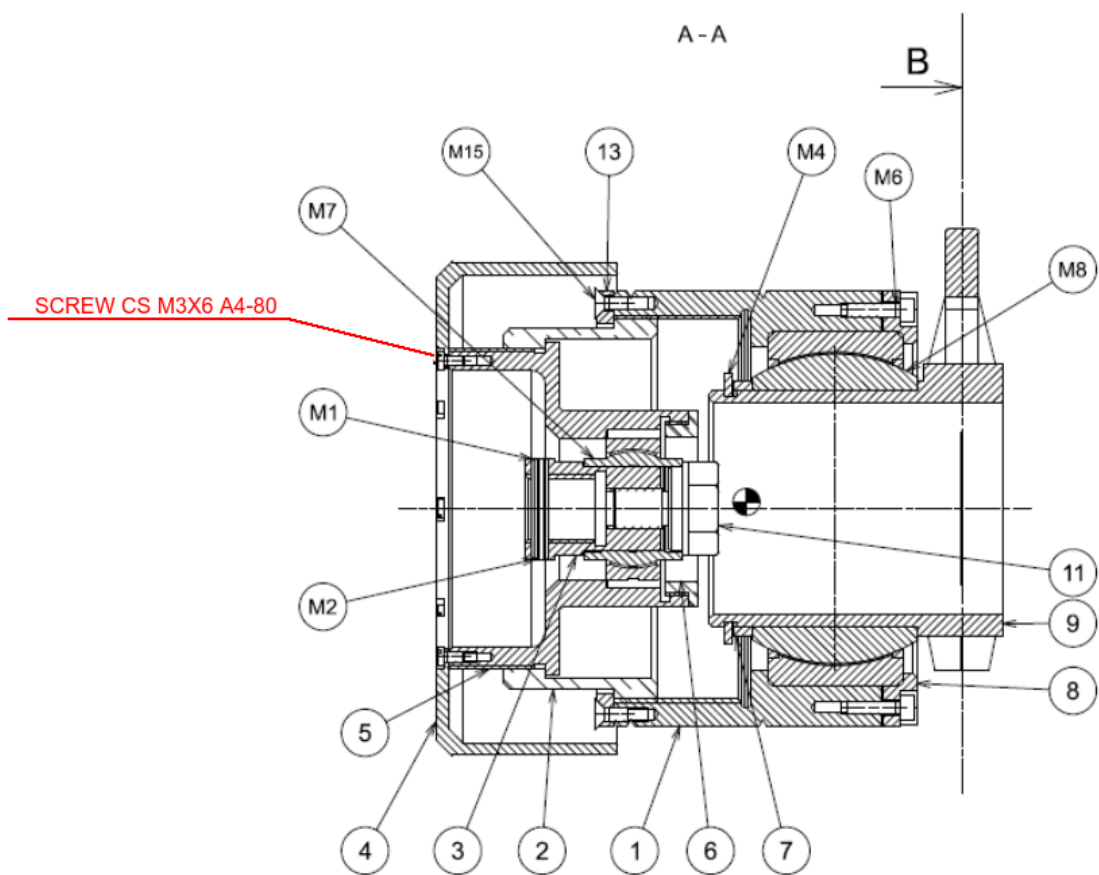


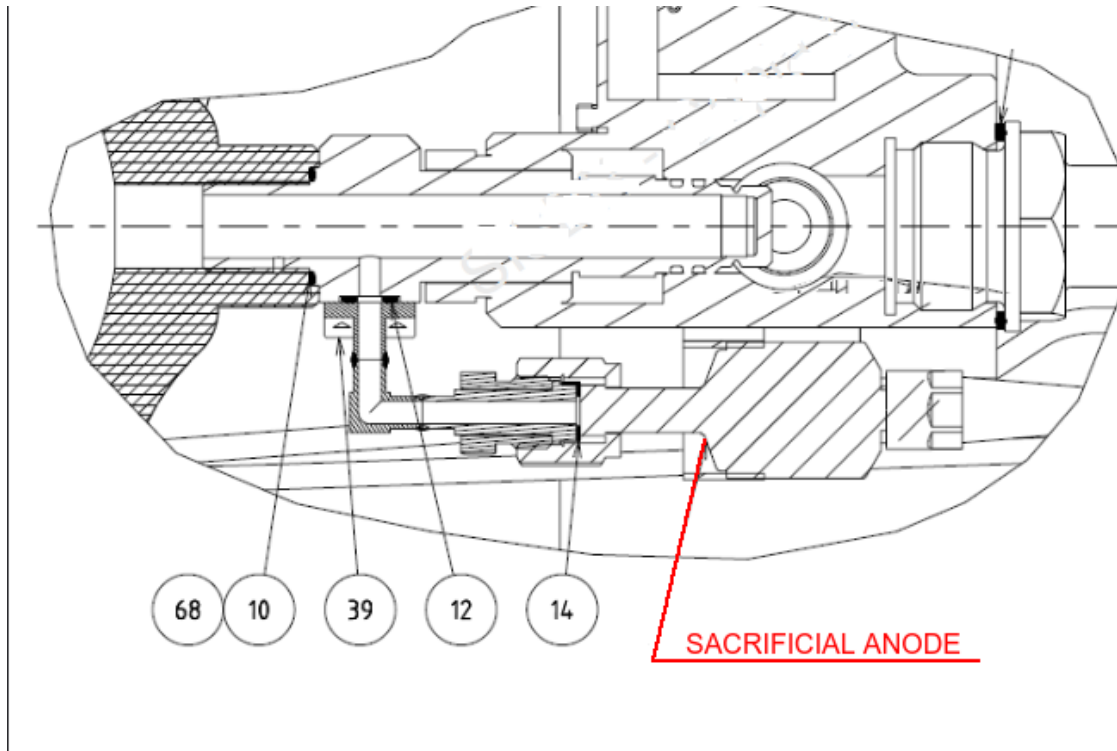


**BRAZILIAN NAVY  
NAVY INDUSTRIAL DIRECTORATE  
TECHNICAL DRAWING**

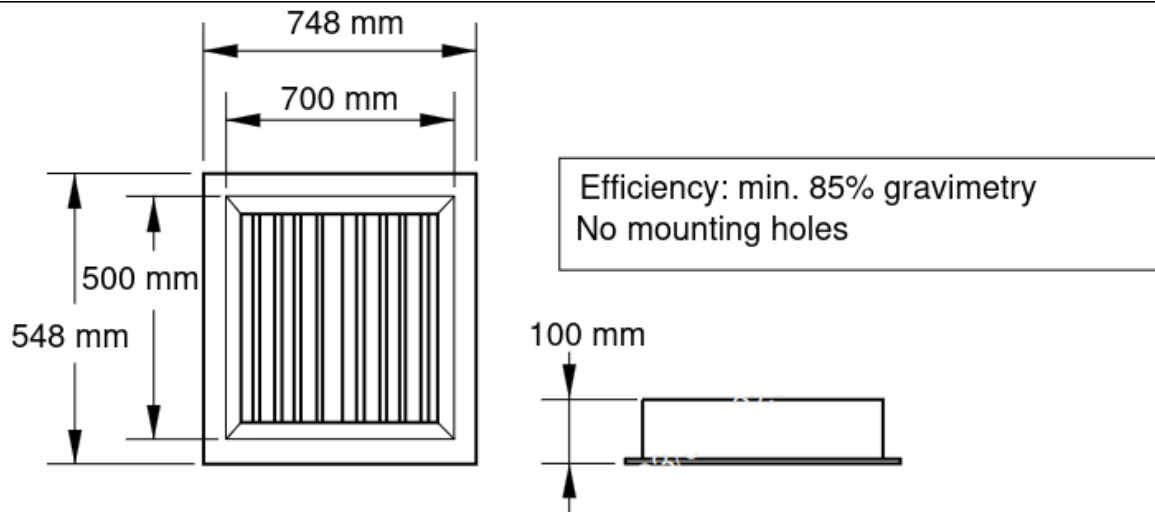
**ATTACHMENT A**



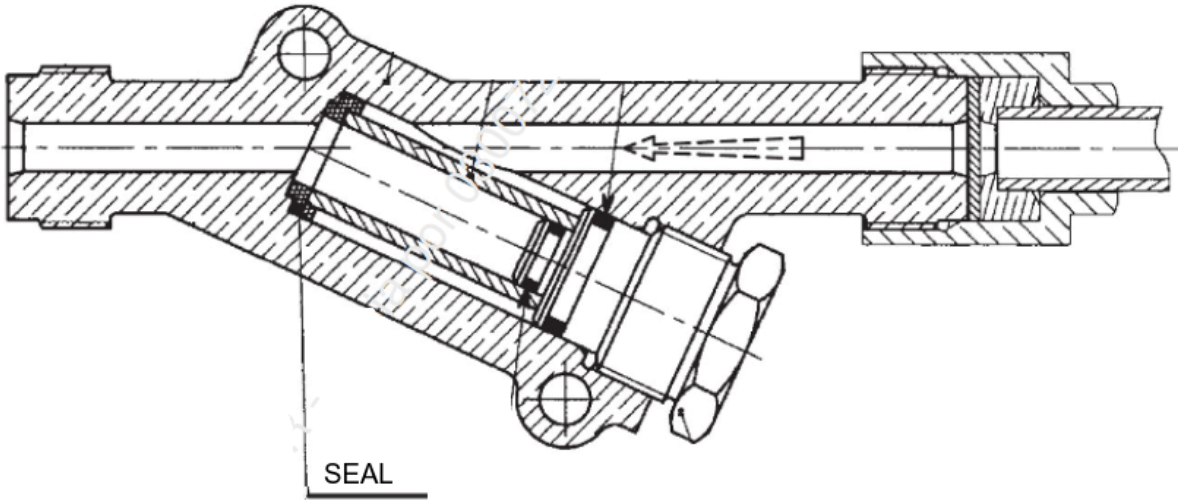
## ATTACHMENT B



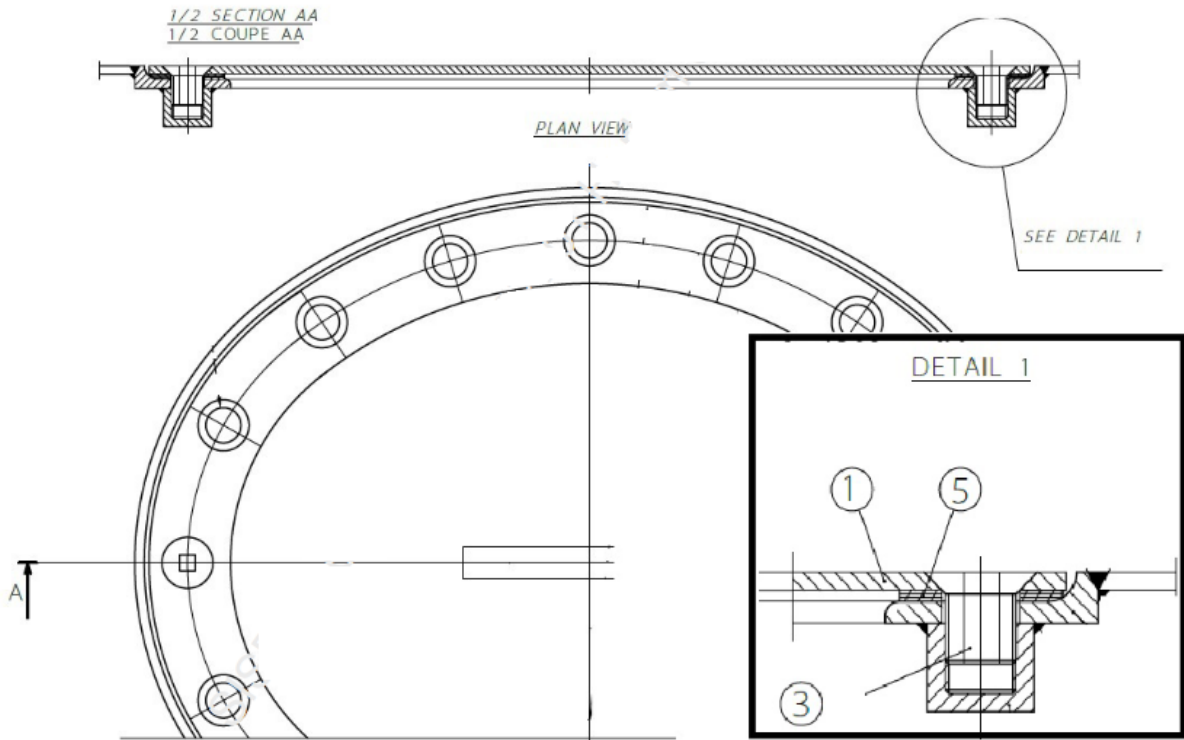
# ATTACHMENT C



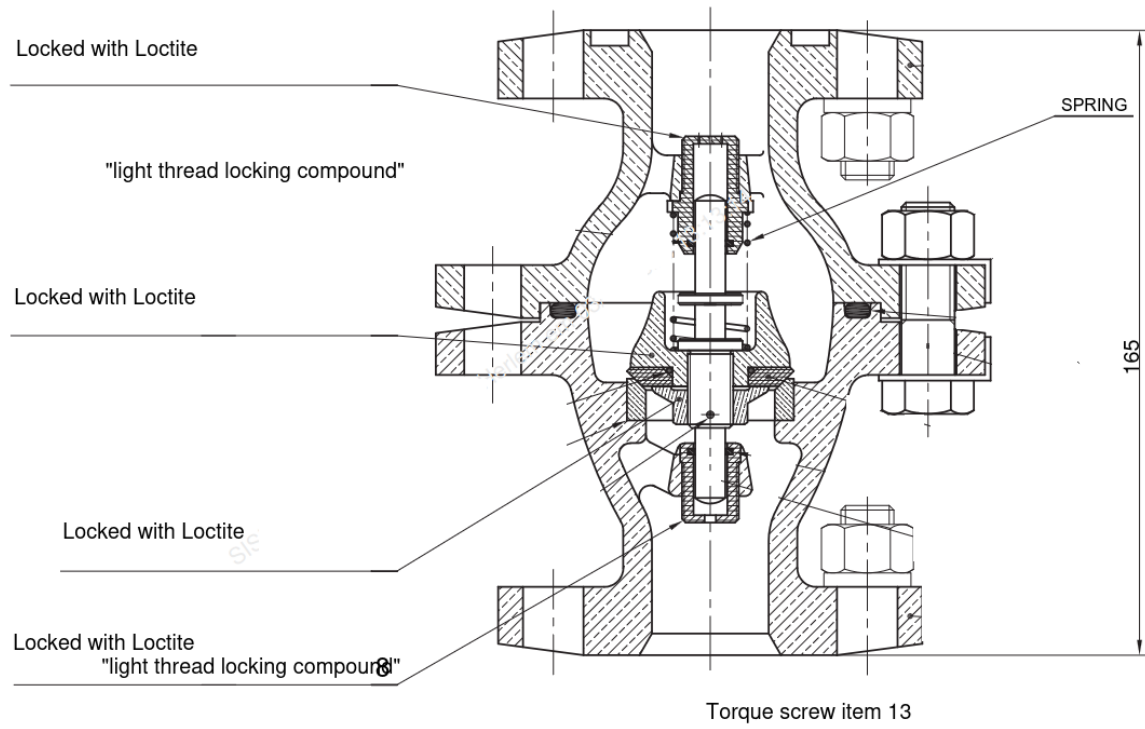
ATTACHMENT D



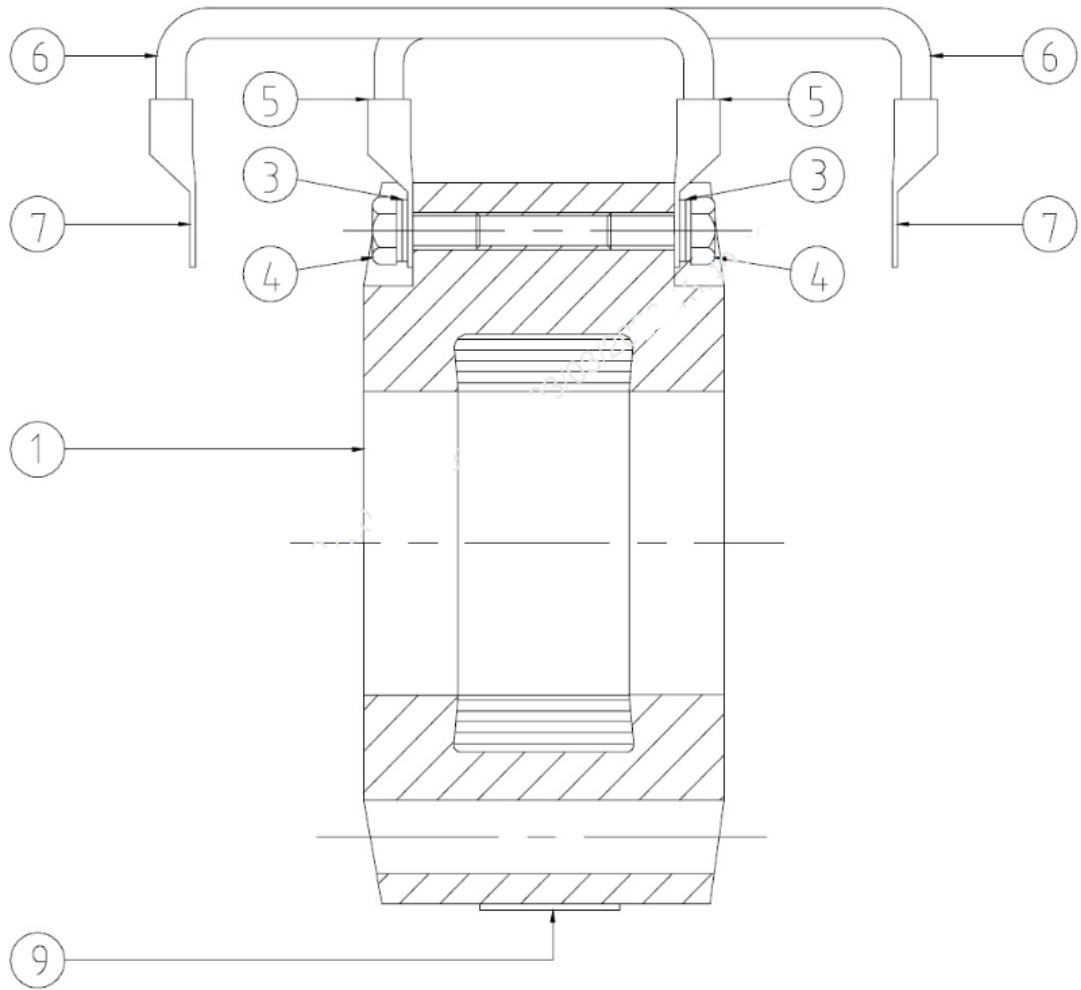
# ATTACHMENT E



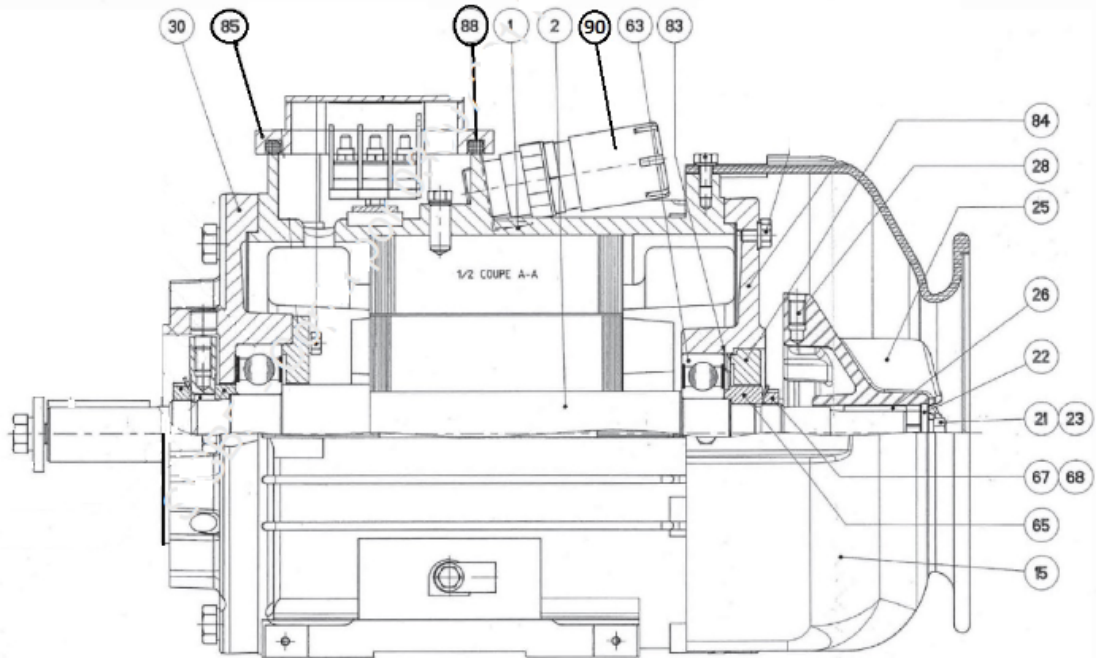
# ATTACHMENT F



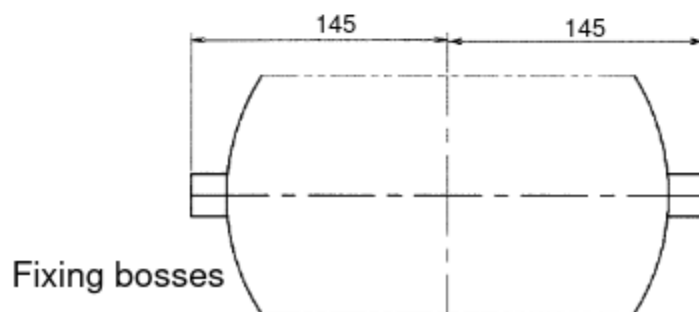
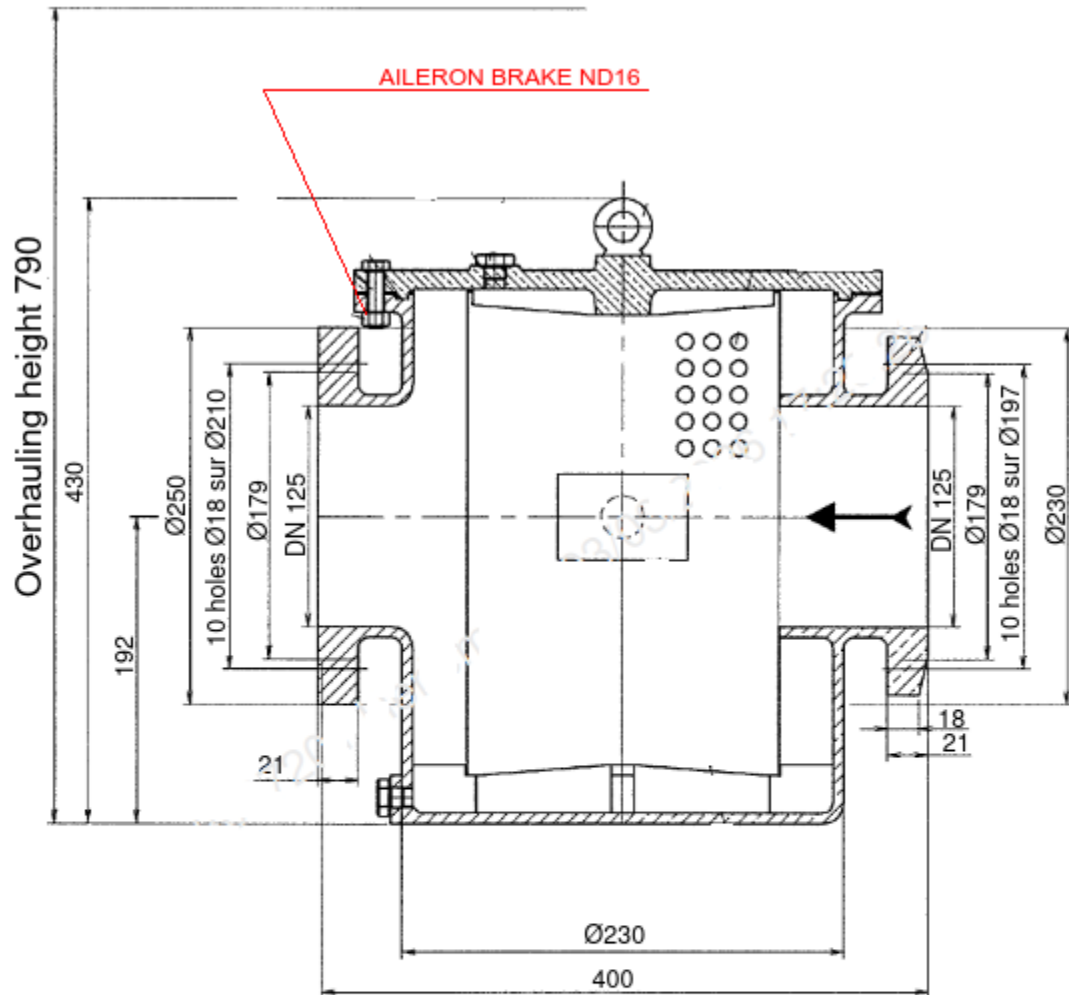
# ATTACHMENT G



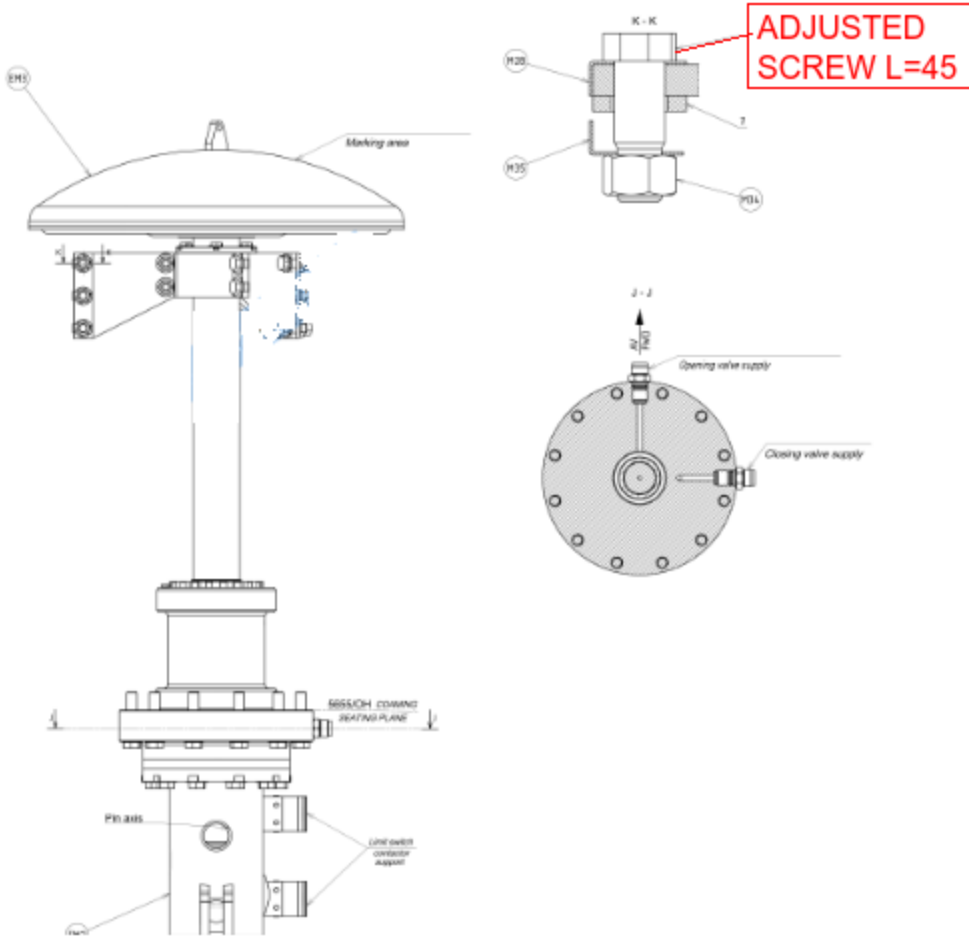
# ATTACHMENT H



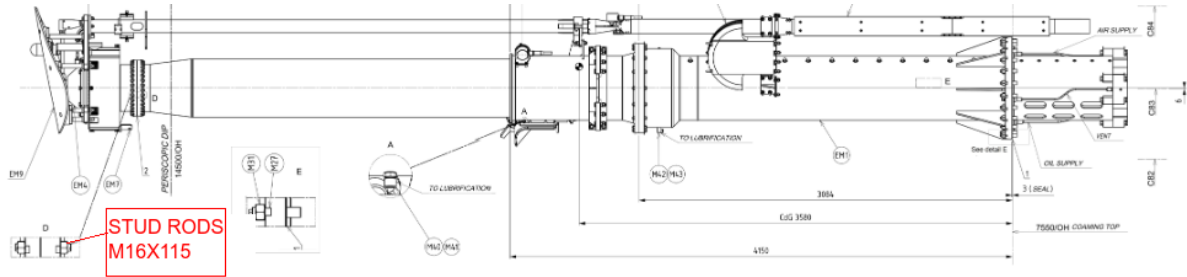
# ATTACHMENT I



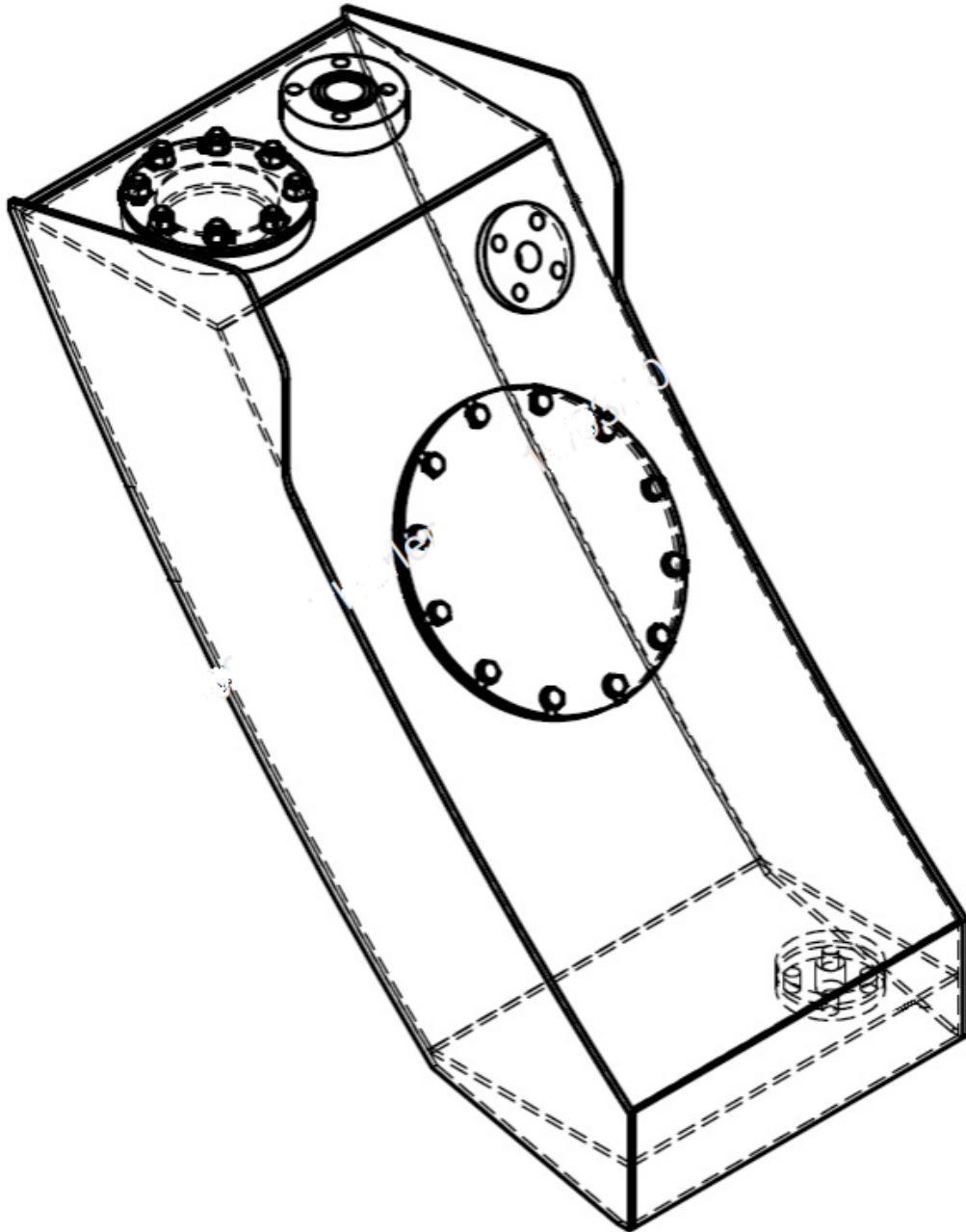
# ATTACHMENT J



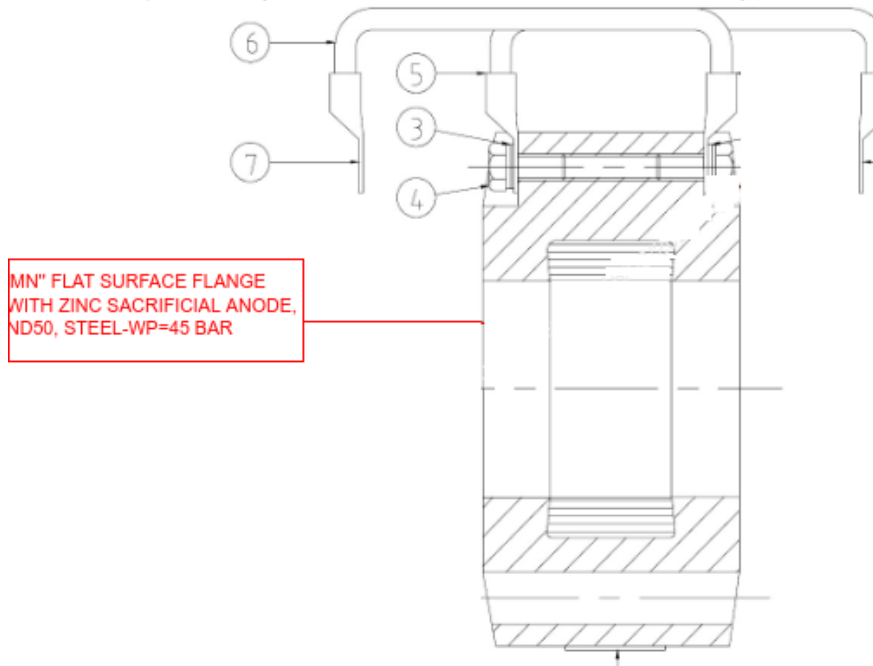
# ATTACHMENT K



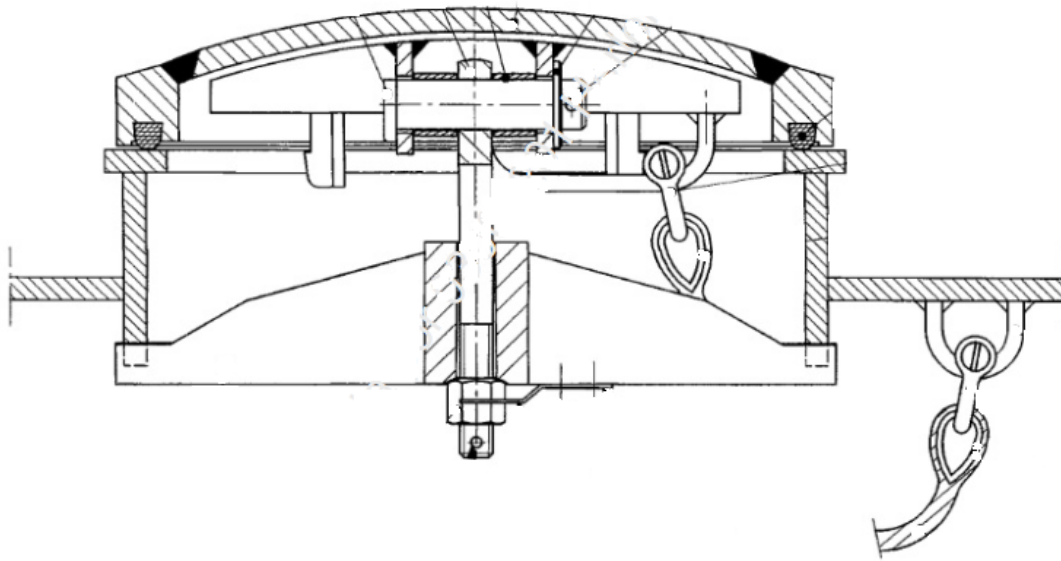
ATTACHMENT L



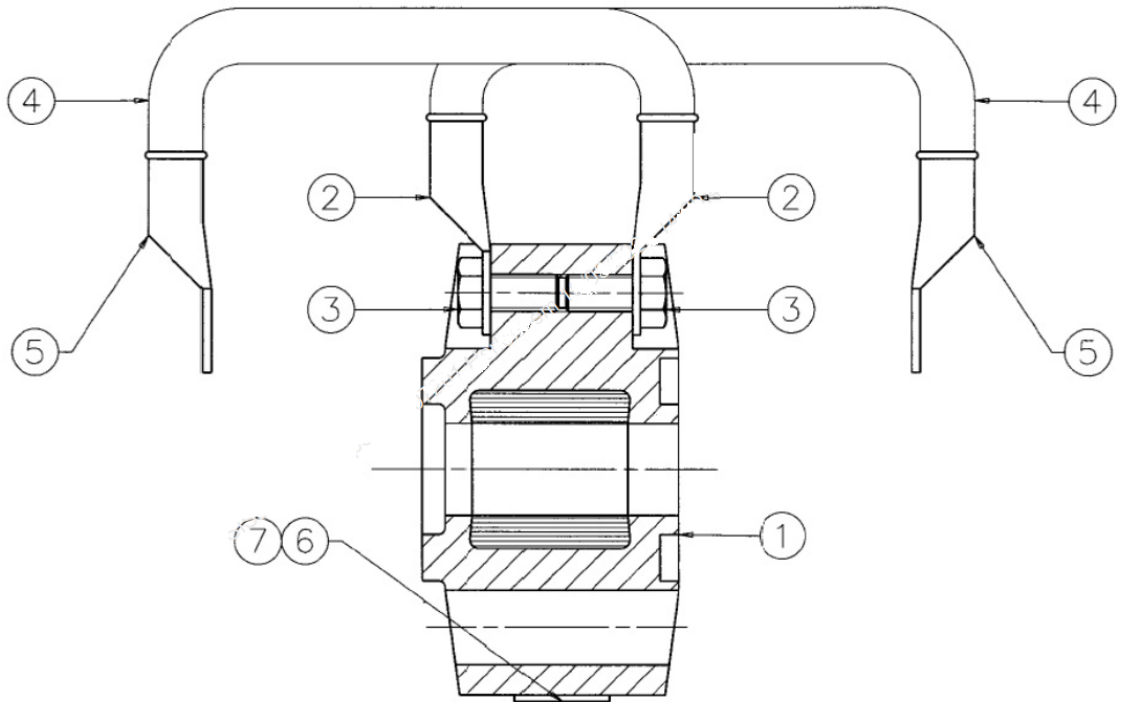
# ATTACHMENT M



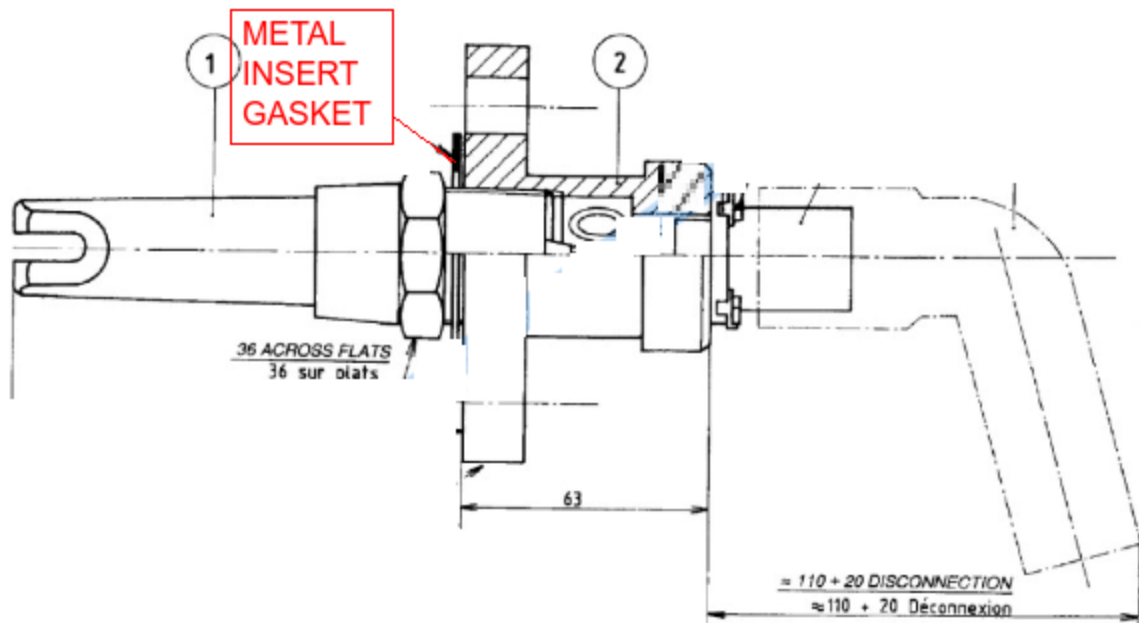
# ATTACHMENT N



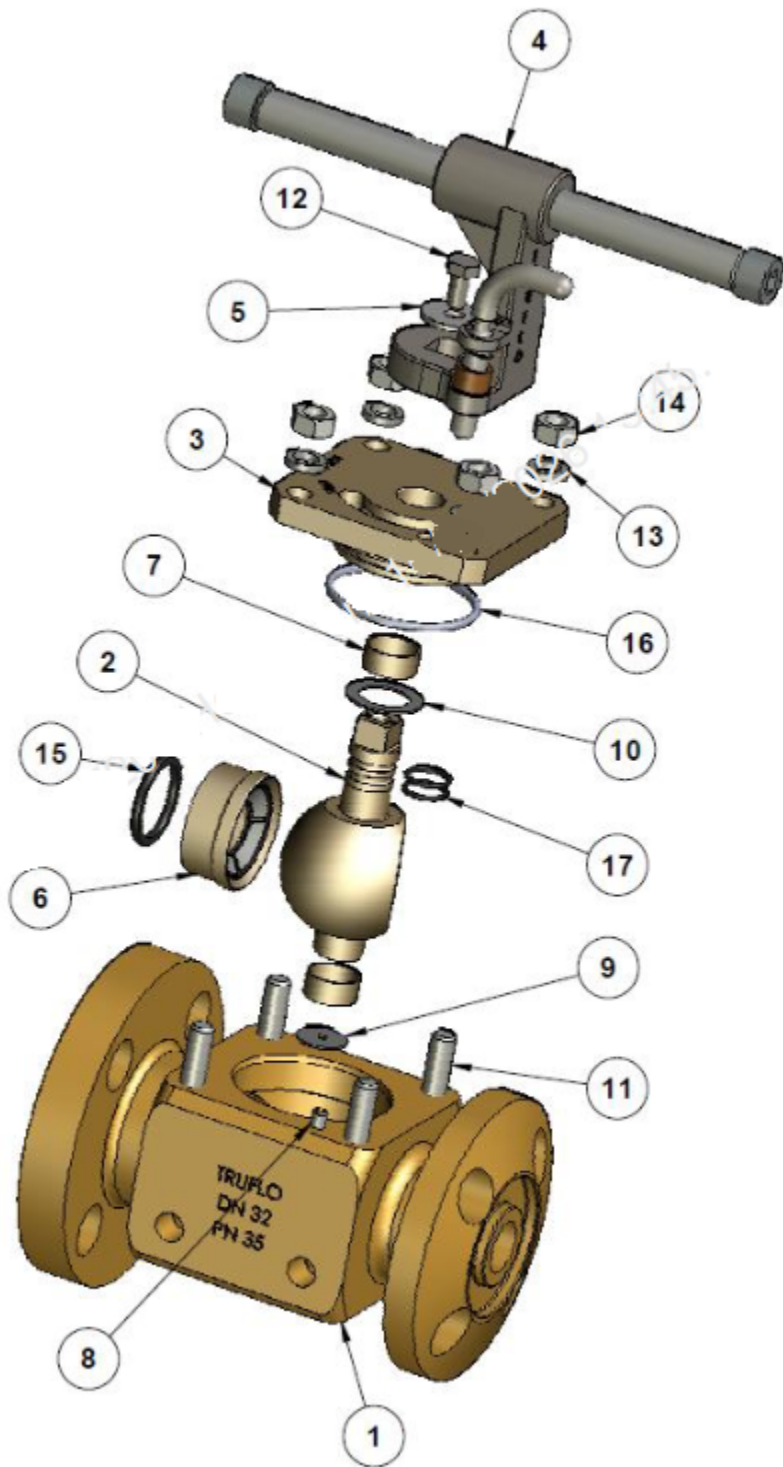
# ATTACHMENT O



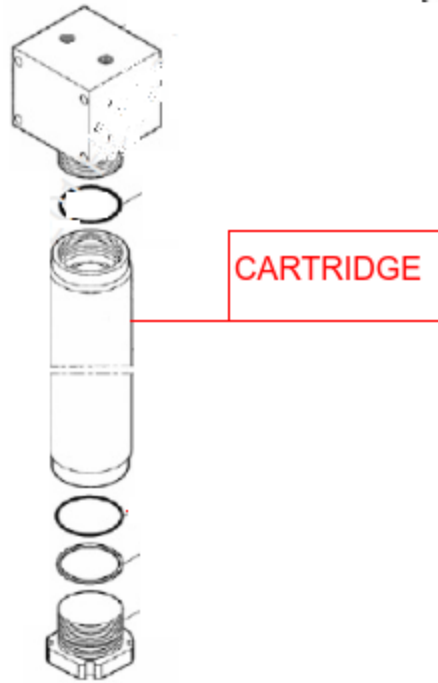
# ATTACHMENT P



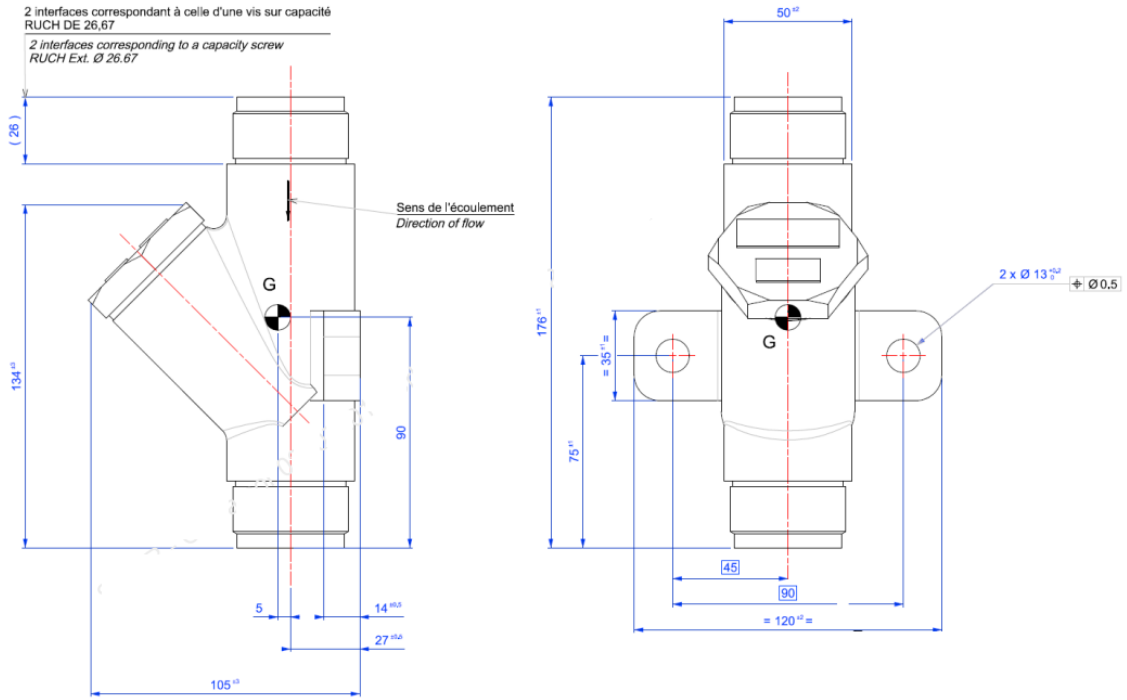
# ATTACHMENT Q



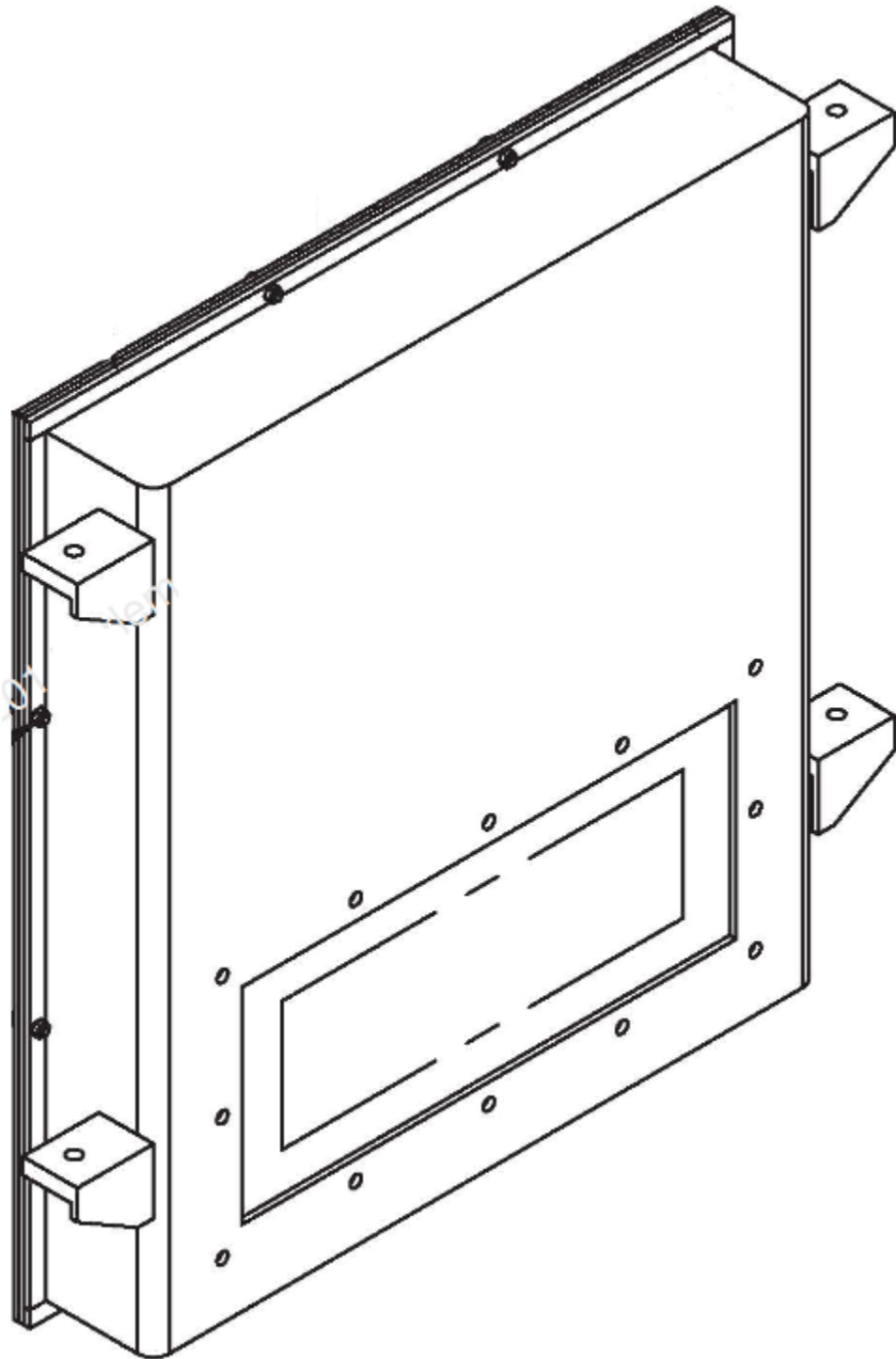
# ATTACHMENT R



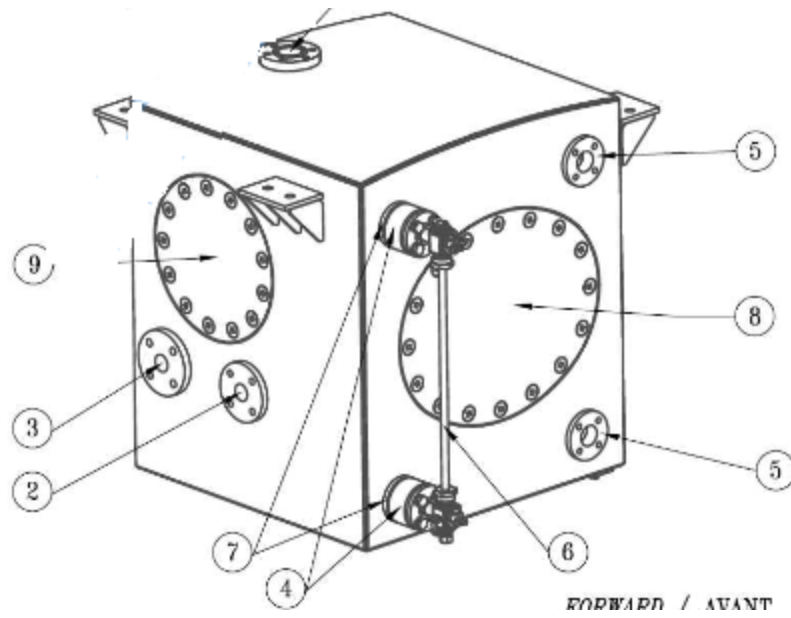
# ATTACHMENT S



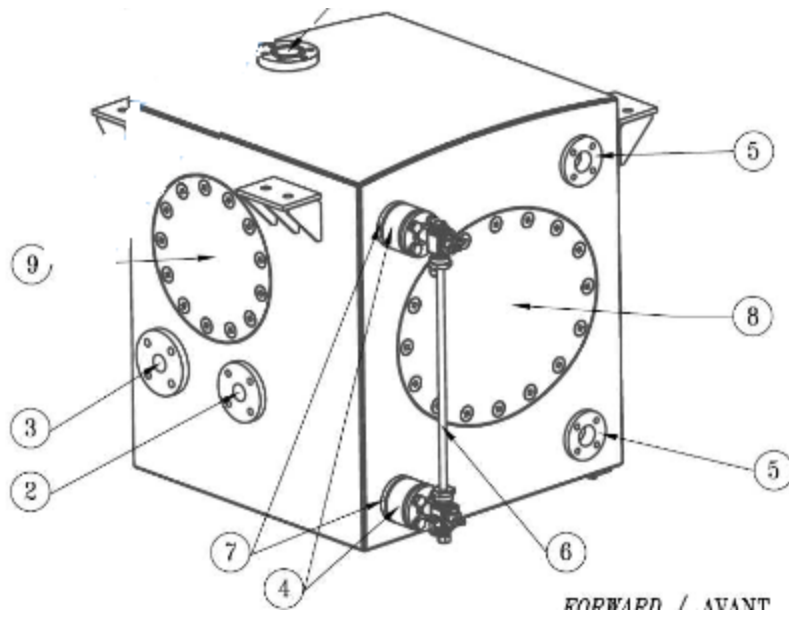
ATTACHMENT T



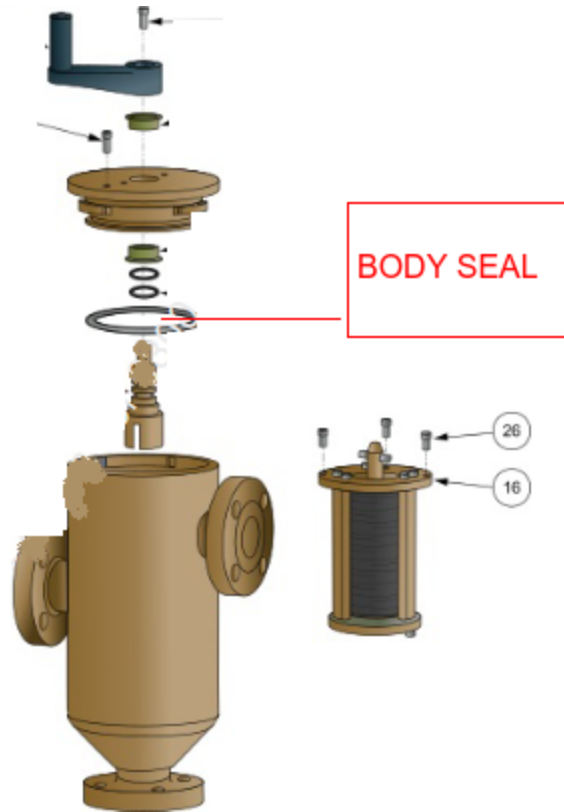
# ATTACHMENT U



# ATTACHMENT V



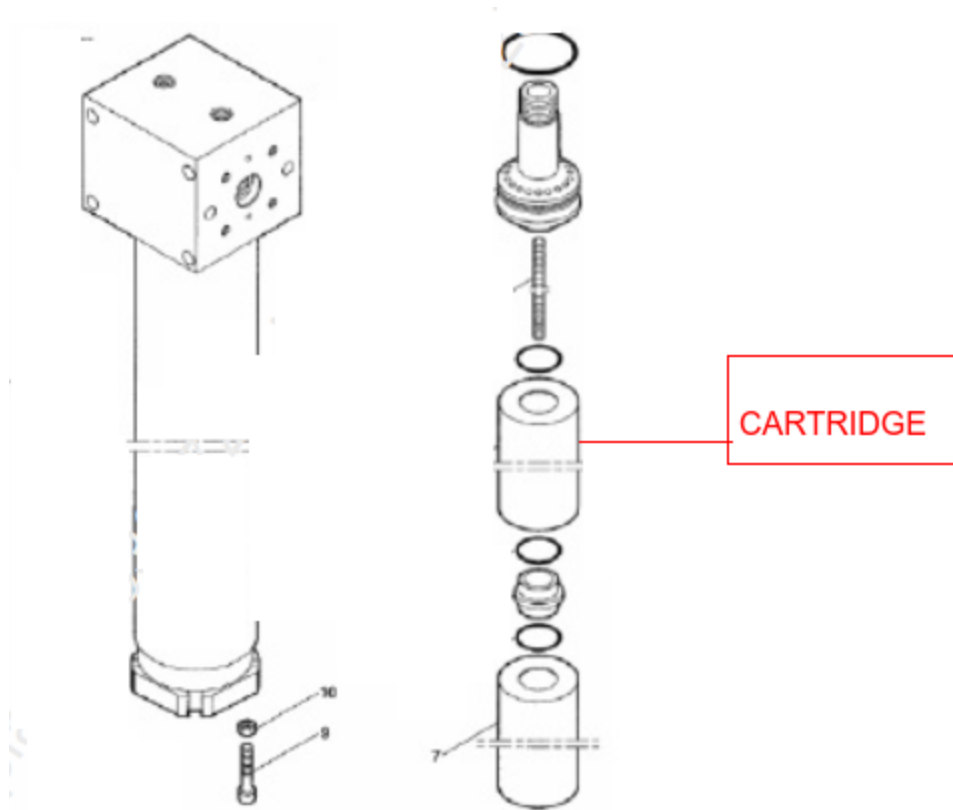
# ATTACHMENT W



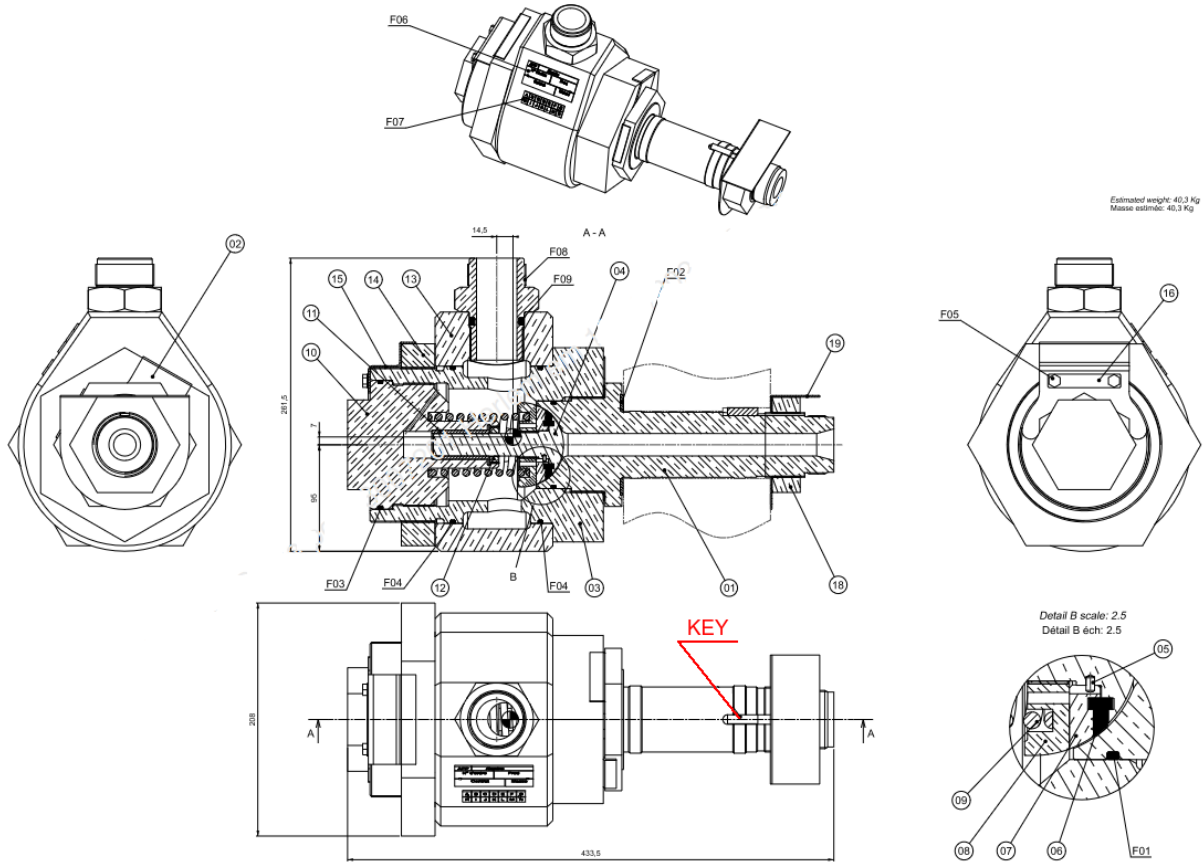
# ATTACHMENT X



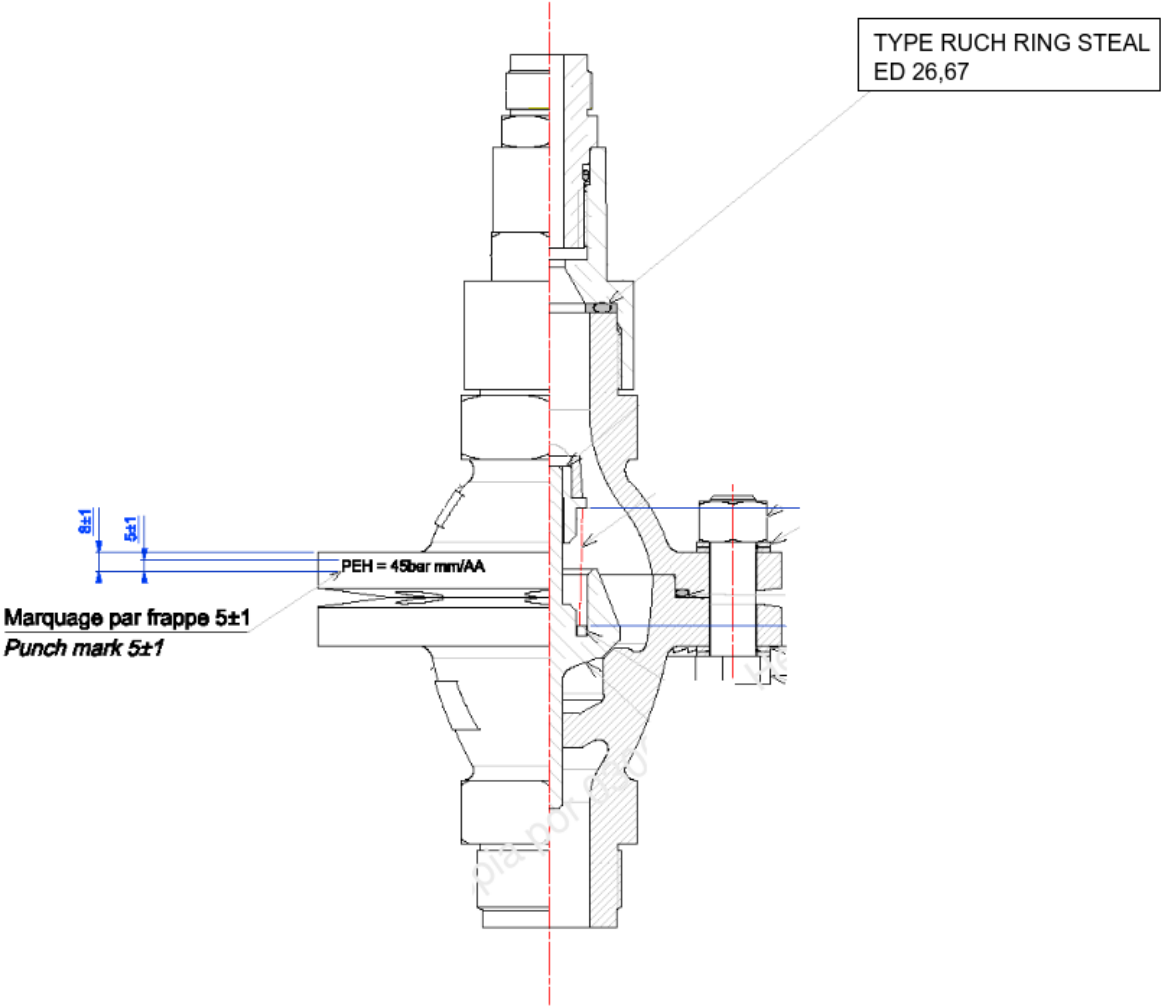
# ATTACHMENT Y



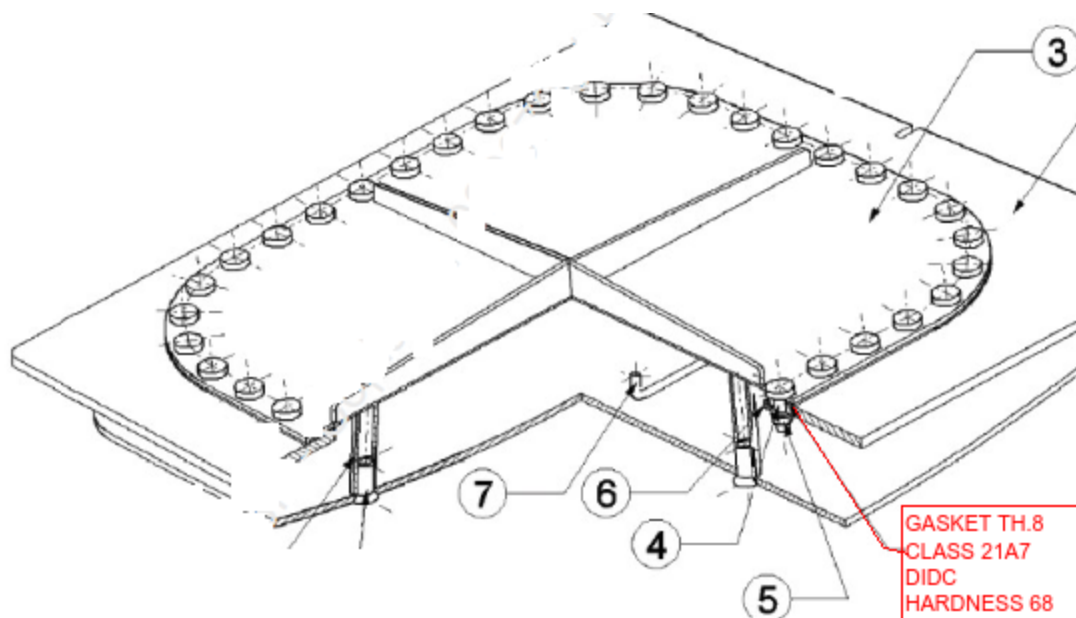
# ATTACHMENT Z



# ATTACHMENT AA



## ATTACHMENT AB



BRUCE ENGLE FRÓES  
Lieutenant-Commander  
Ship Manager Auxiliary  
ASSINADO DIGITALMENTE