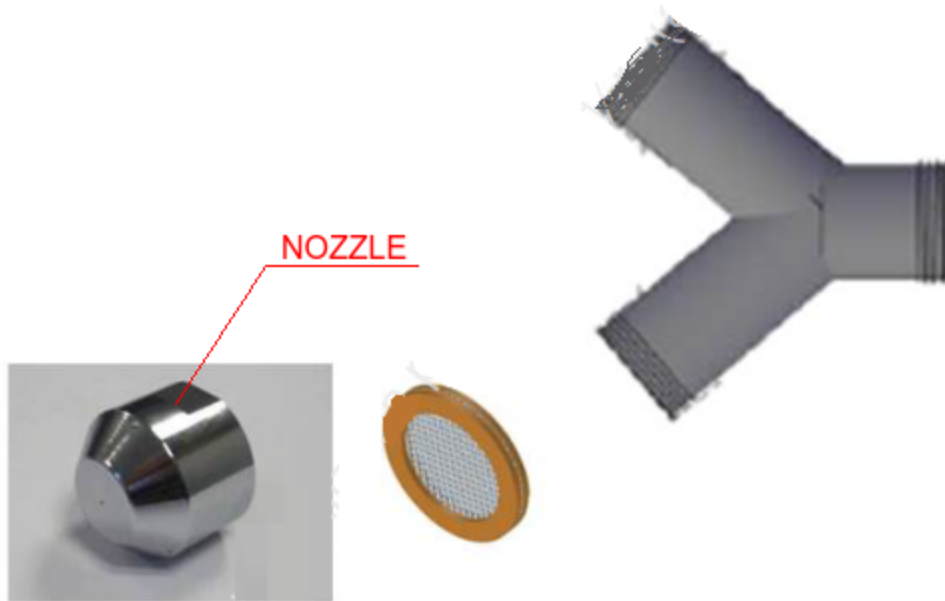


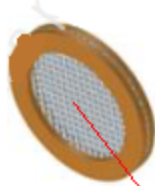
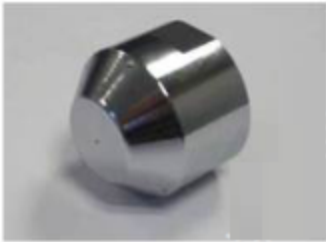


BRAZILIAN NAVY
NAVY INDUSTRIAL DIRECTORATE
TECHNICAL DRAWING

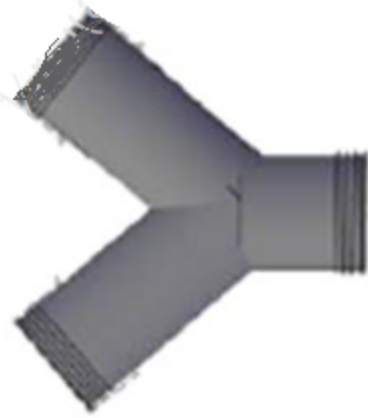
ATTACHMENT A



ATTACHMENT B



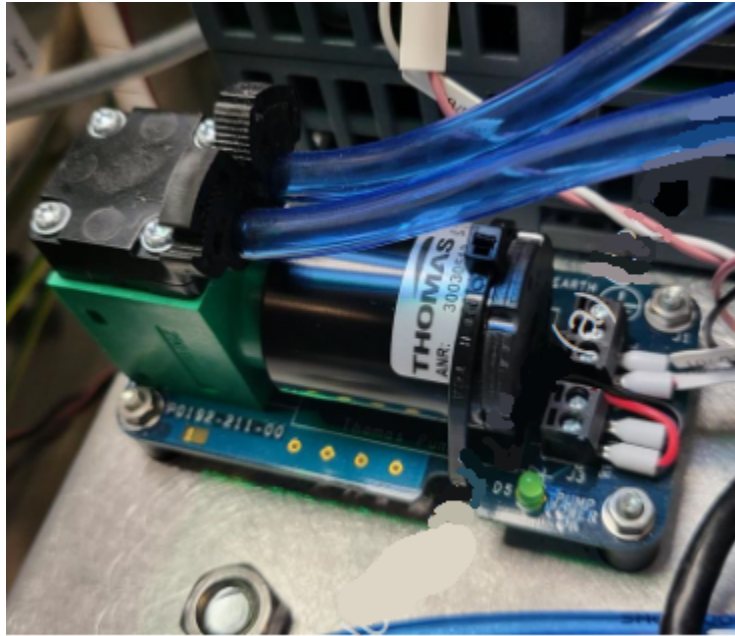
FILTER 600 MICRONS



ATTACHMENT C



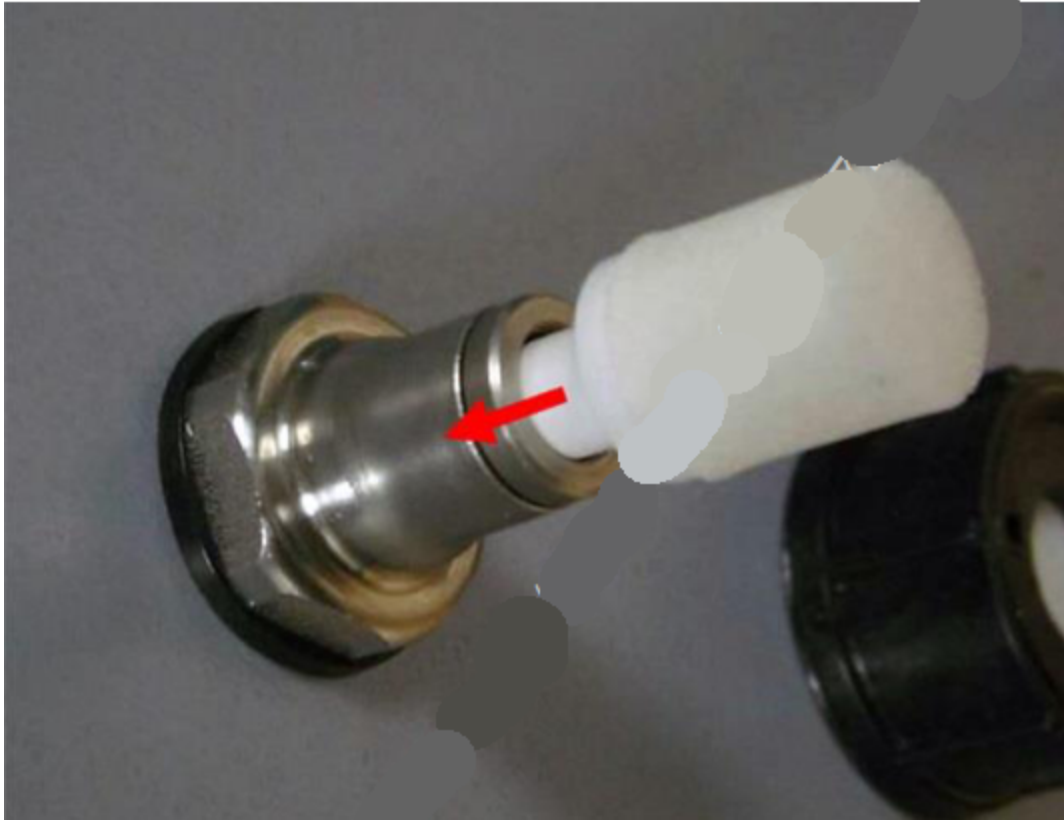
ATTACHMENT D



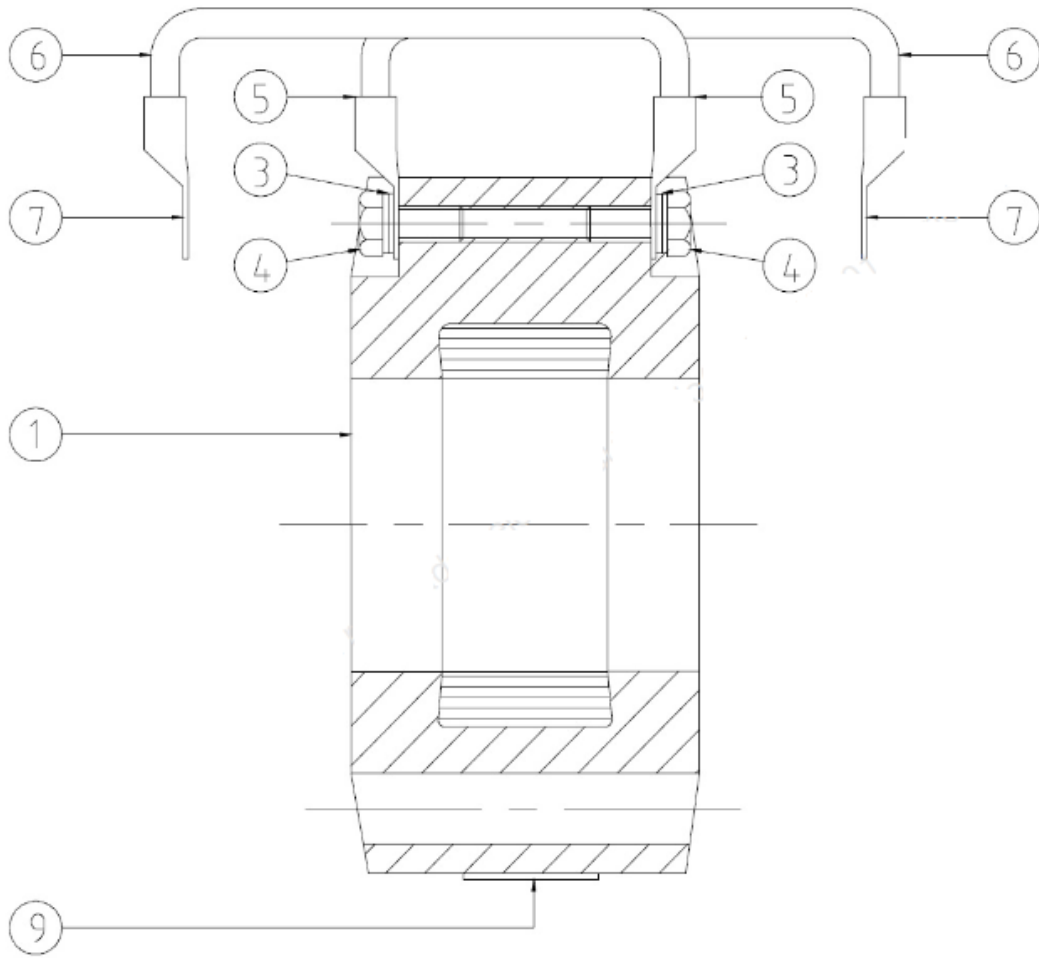
ATTACHMENT E



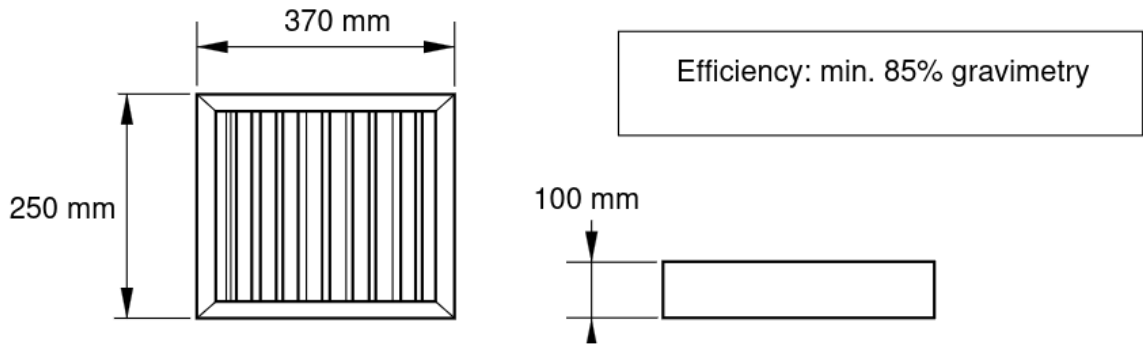
ATTACHMENT F



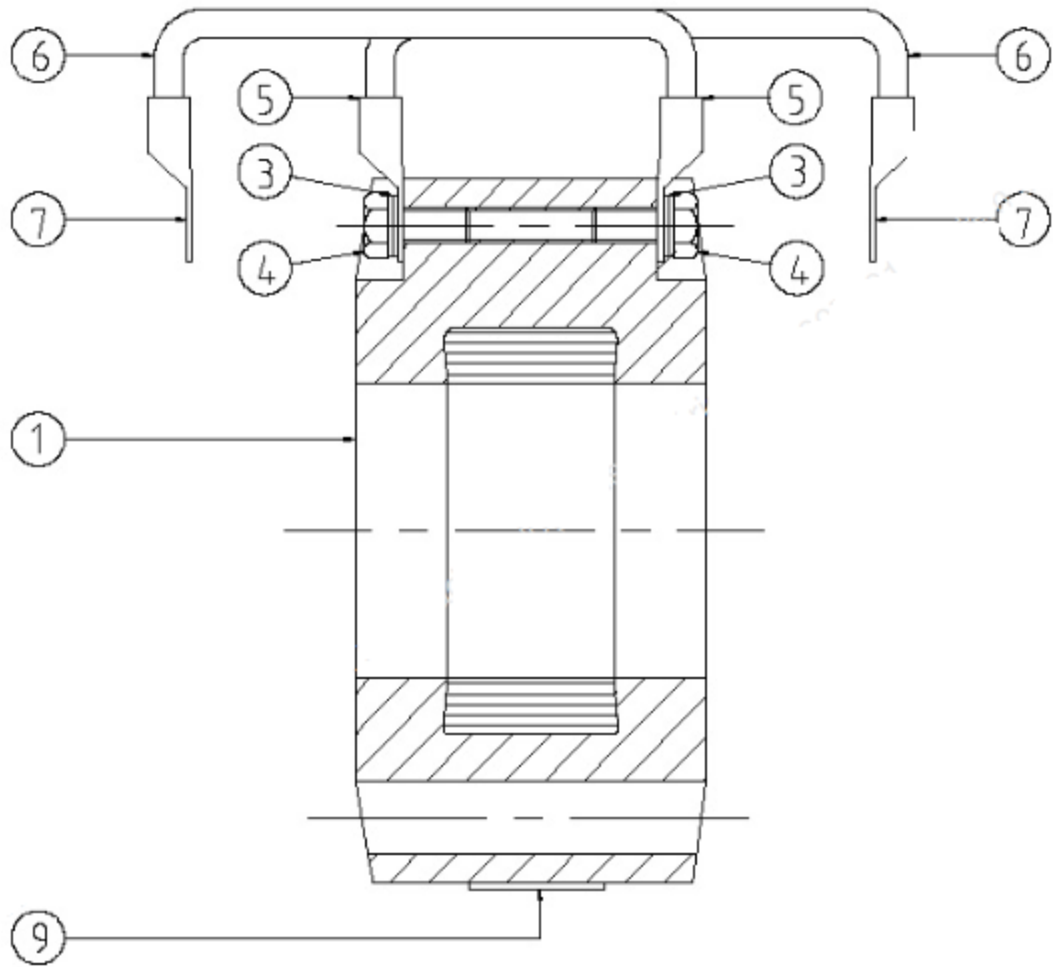
ATTACHMENT G



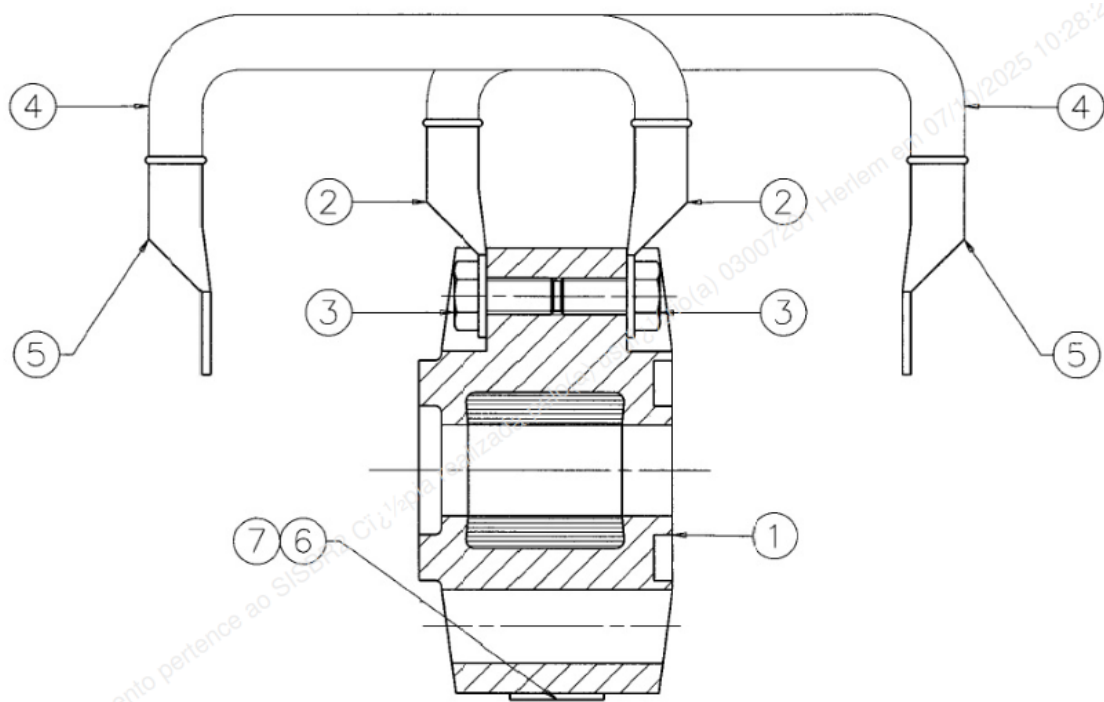
ATTACHMENT H



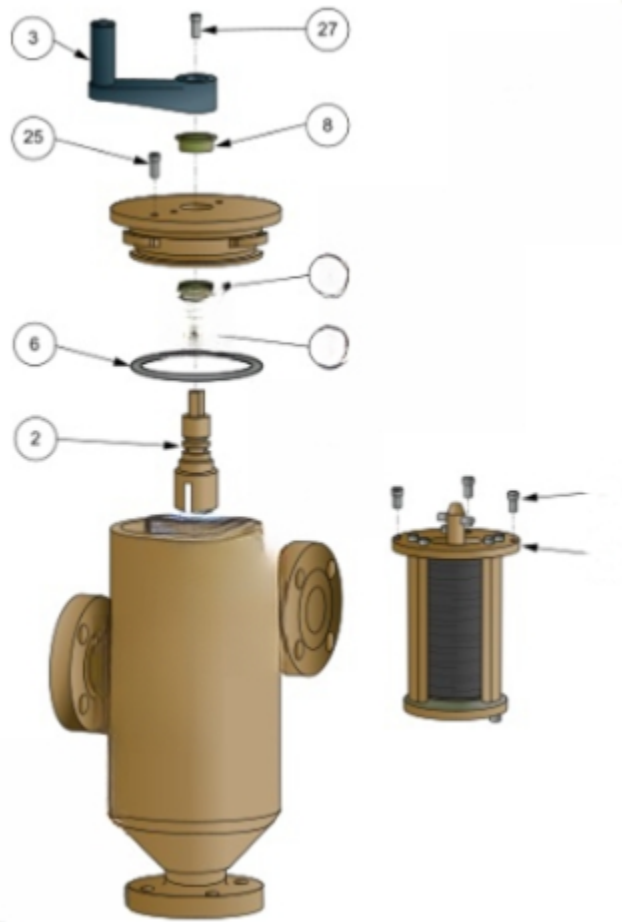
ATTACHMENT I



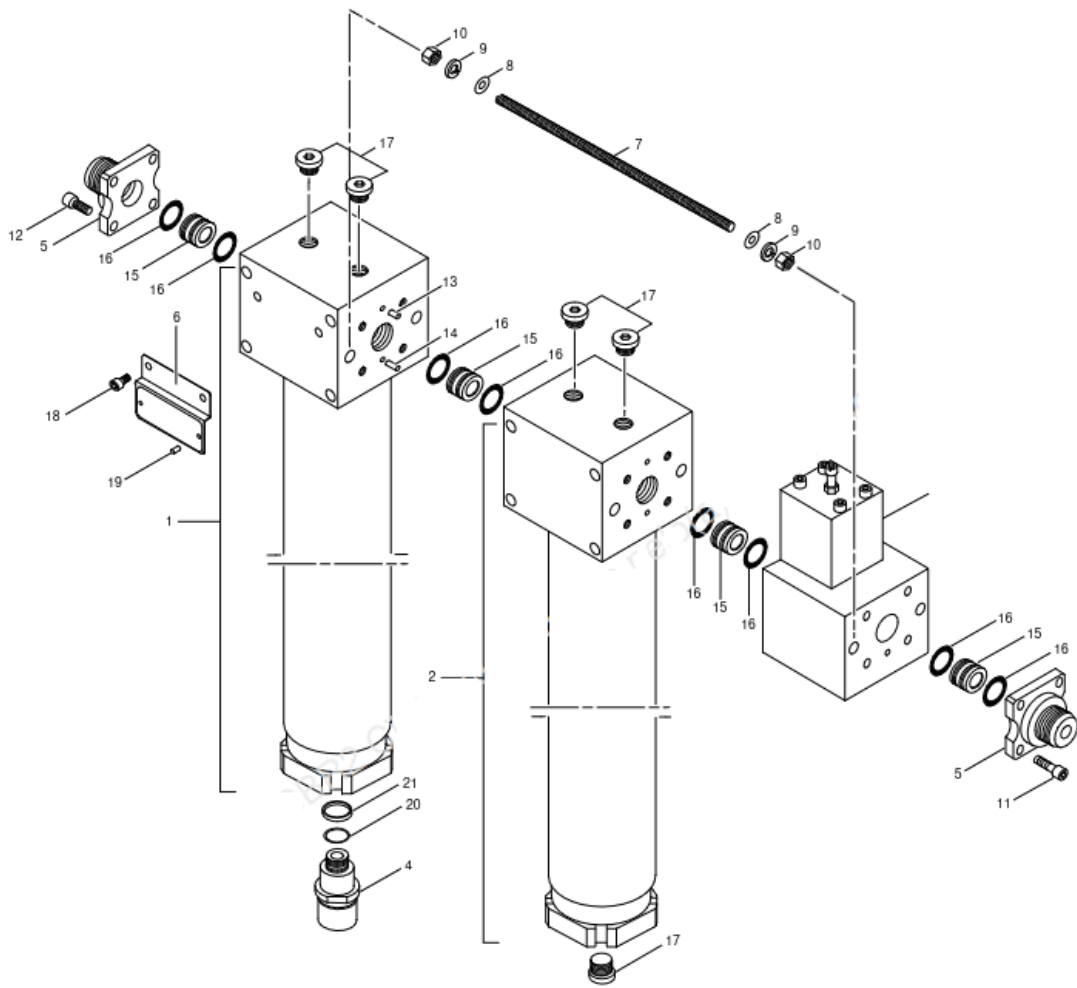
ATTACHMENT J



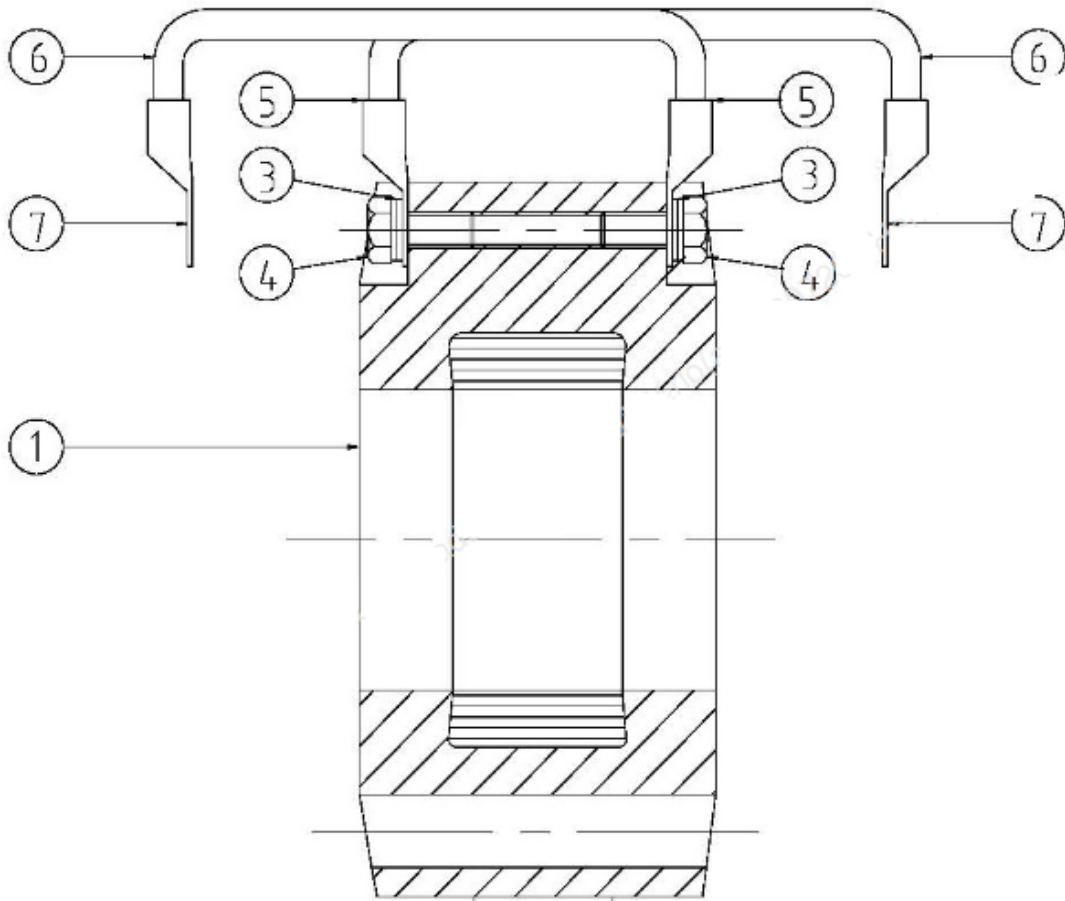
ATTACHMENT L



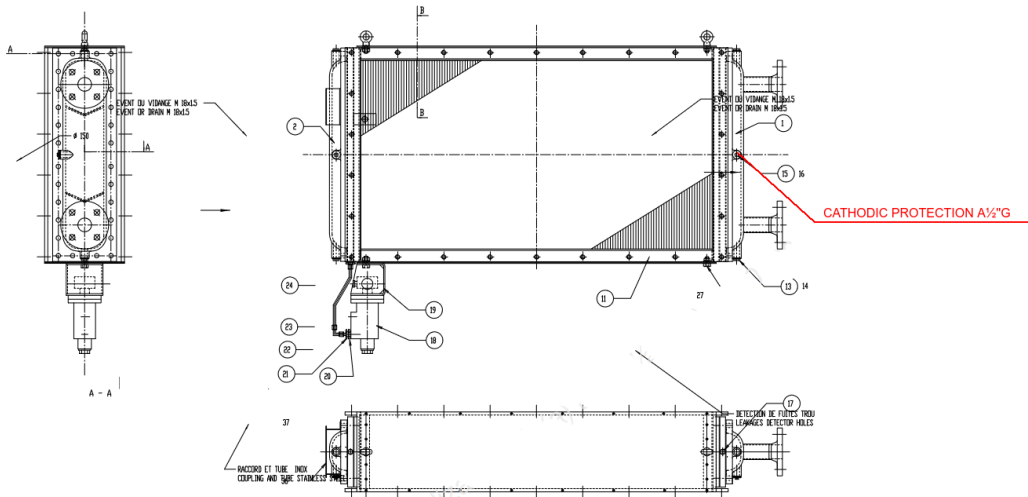
ATTACHMENT M



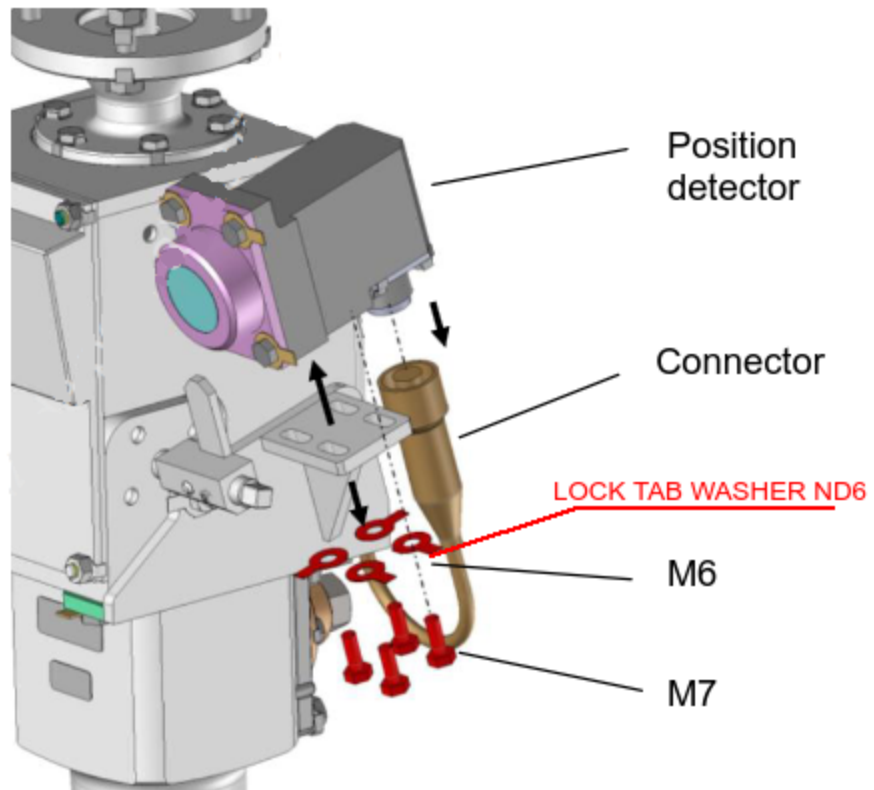
ATTACHMENT N



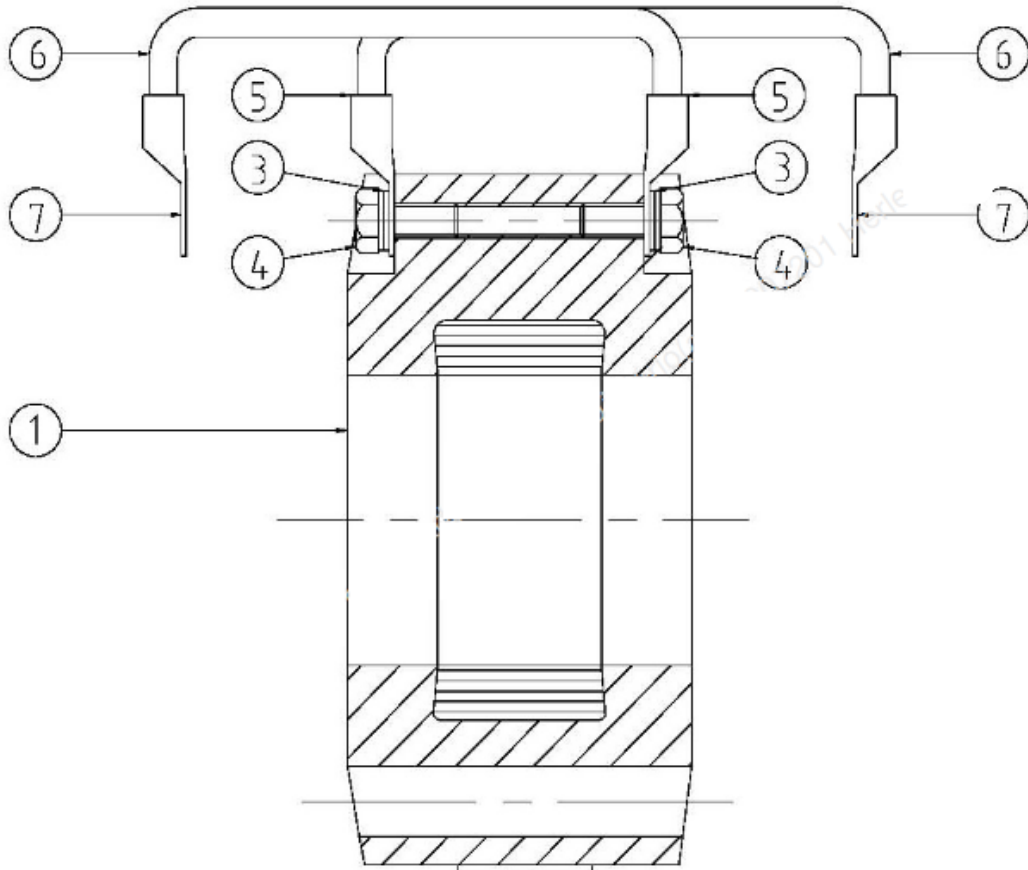
ATTACHMENT O



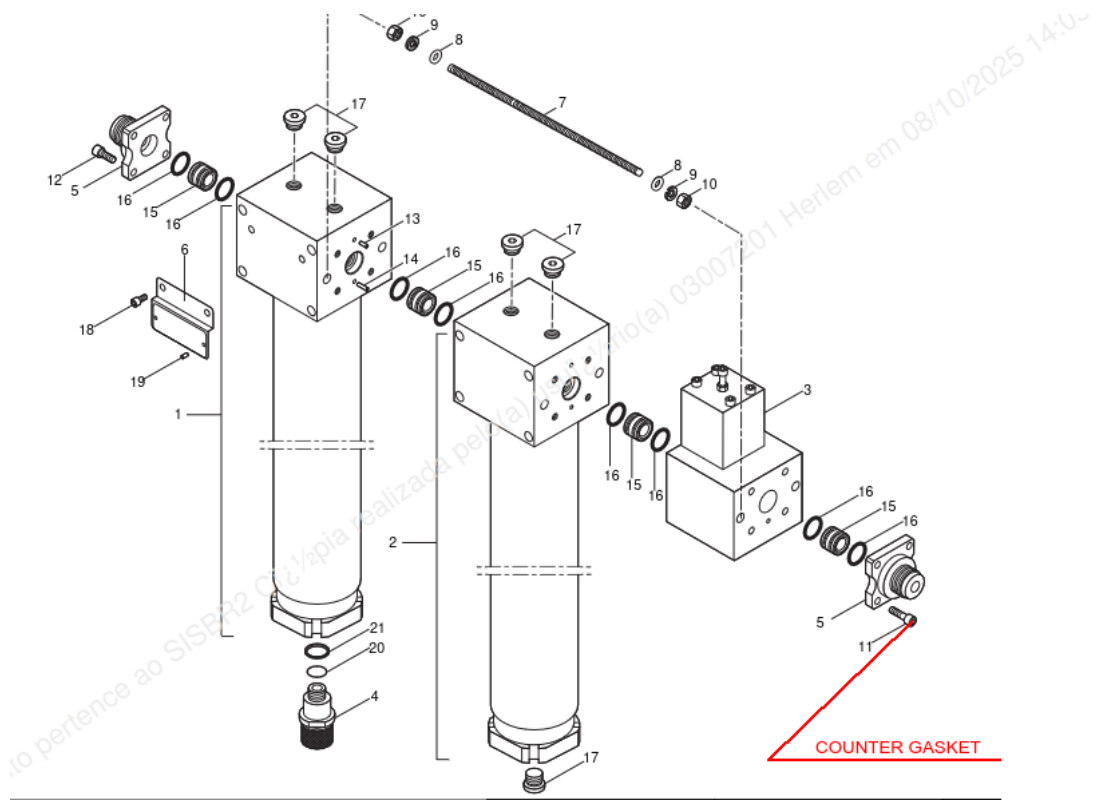
ATTACHMENT P



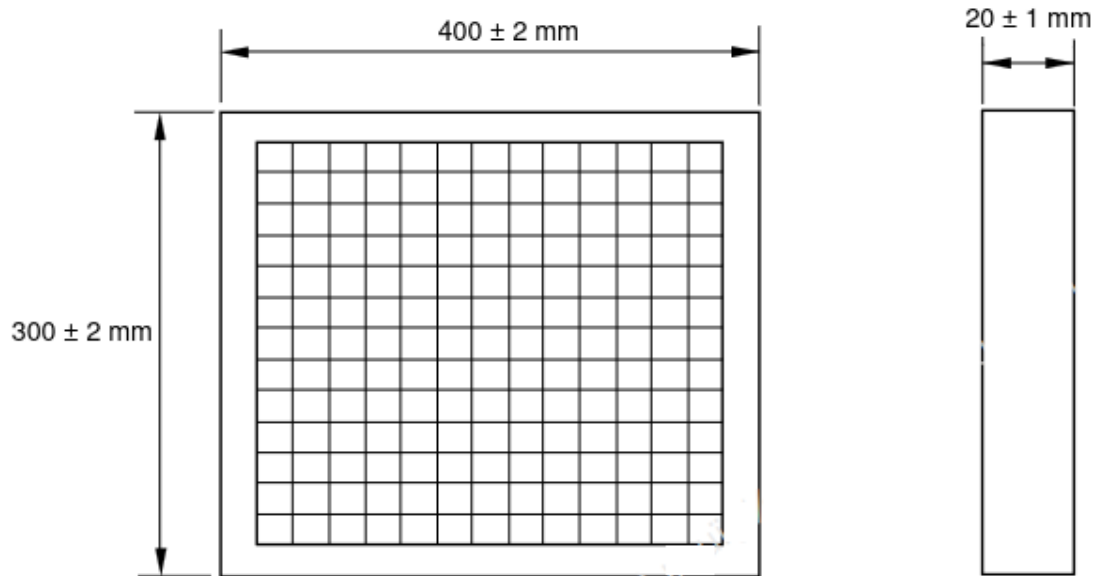
ATTACHMENT Q



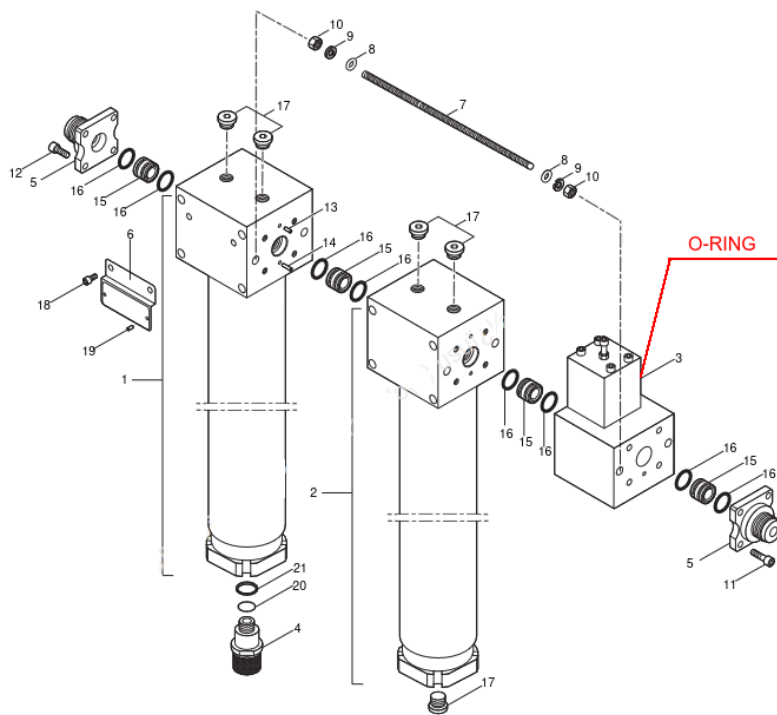
ATTACHMENT R



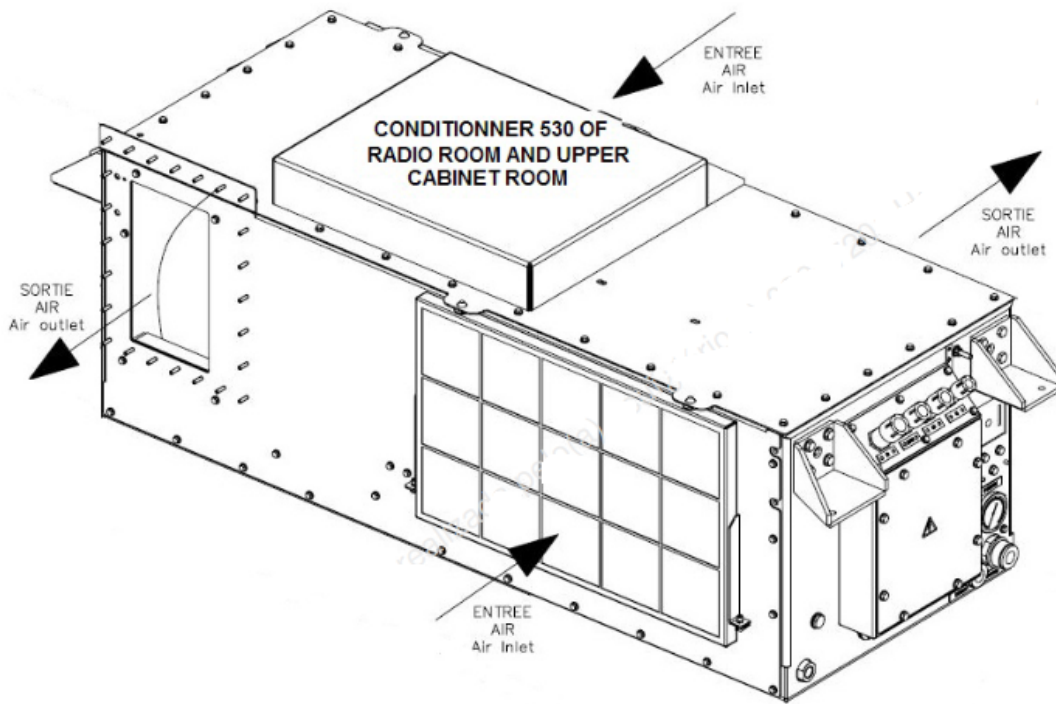
ATTACHMENT S



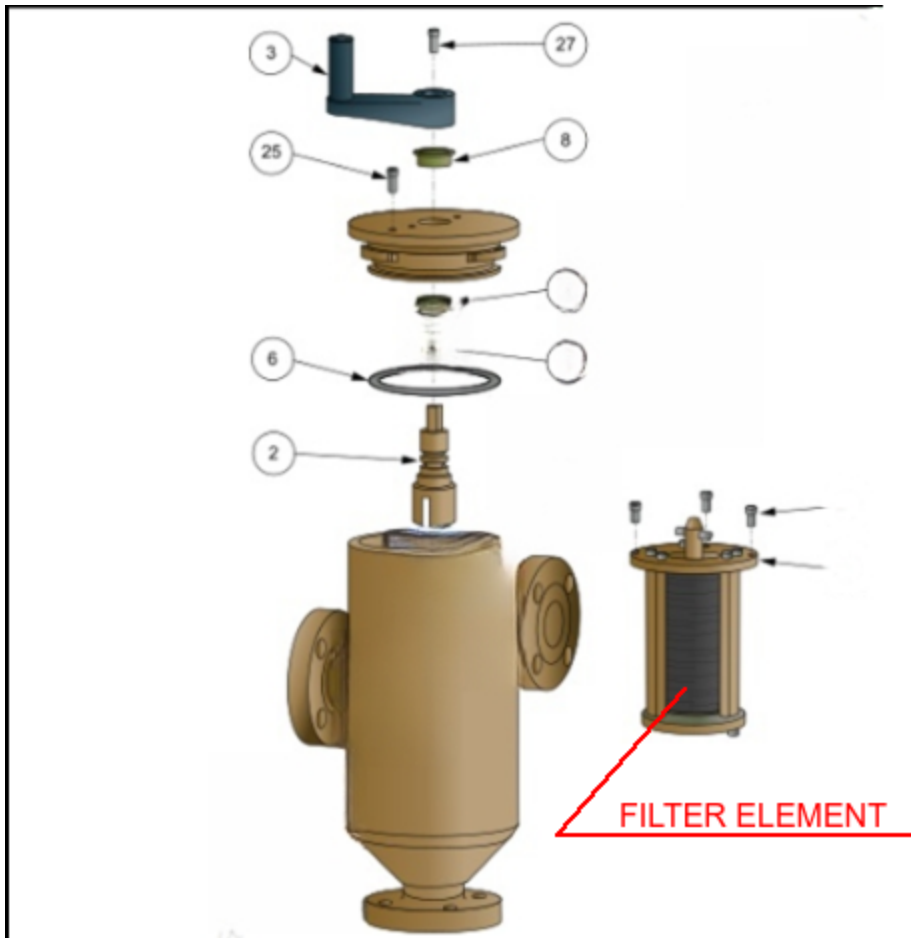
ATTACHMENT T



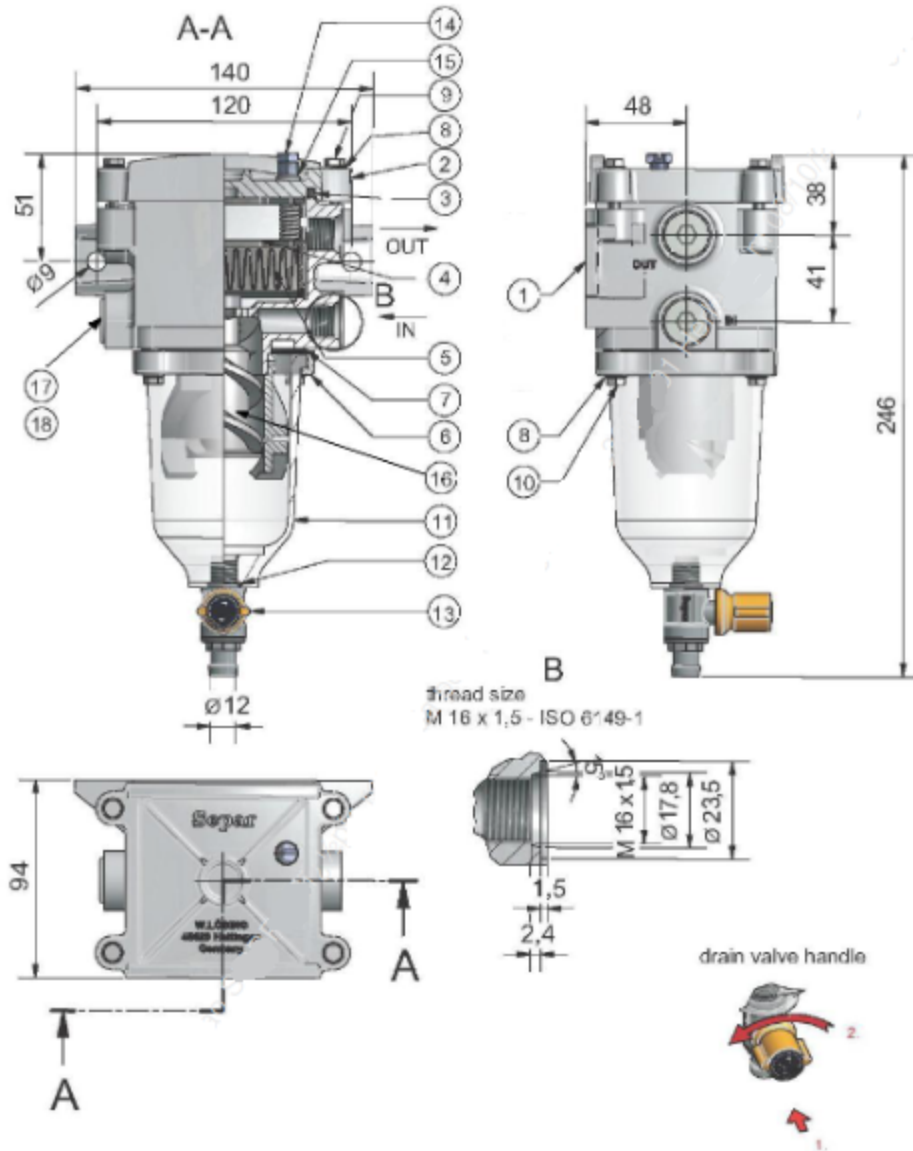
ATTACHMENT U



ATTACHMENT V

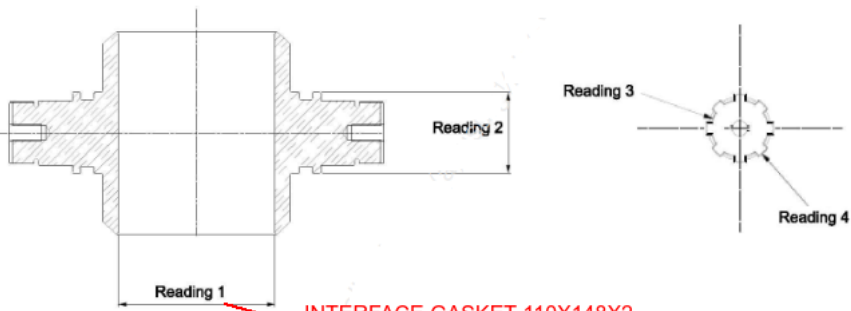


ATTACHMENT W



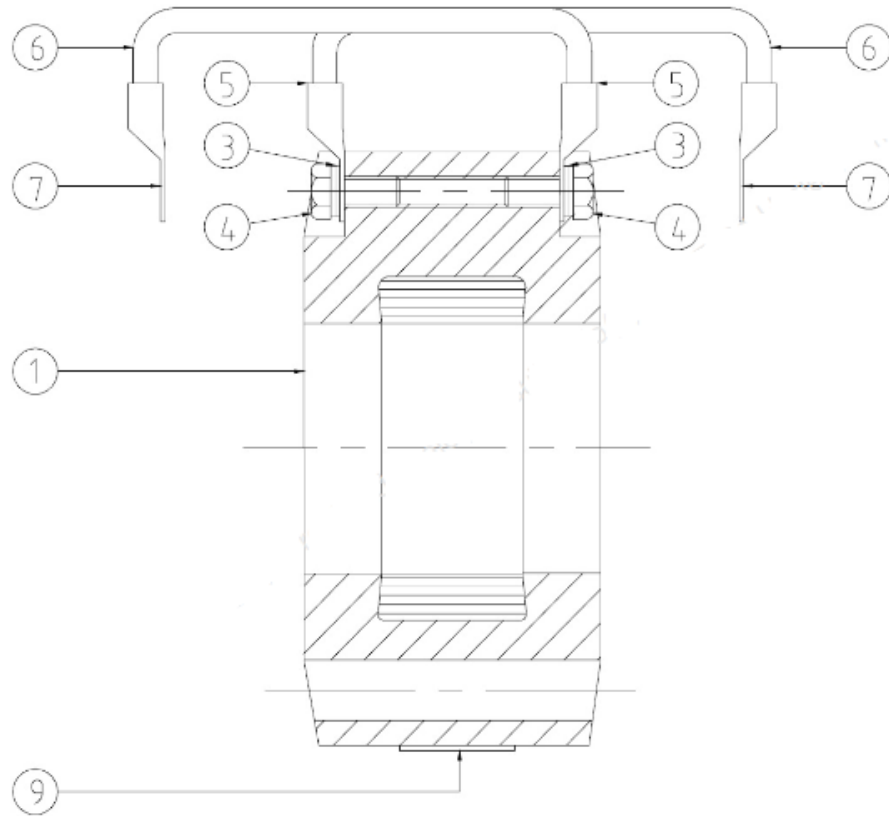
ATTACHMENT X

DIMENSION	TOLERANCE	MEASURED DIMENSION
Reading 1	$\varnothing 110 \text{ H7 } \begin{smallmatrix} +0.035 \\ 0 \end{smallmatrix}$	
Reading 2	$\varnothing 196 \text{ f7 } \begin{smallmatrix} -0.05 \\ -0.096 \end{smallmatrix}$	

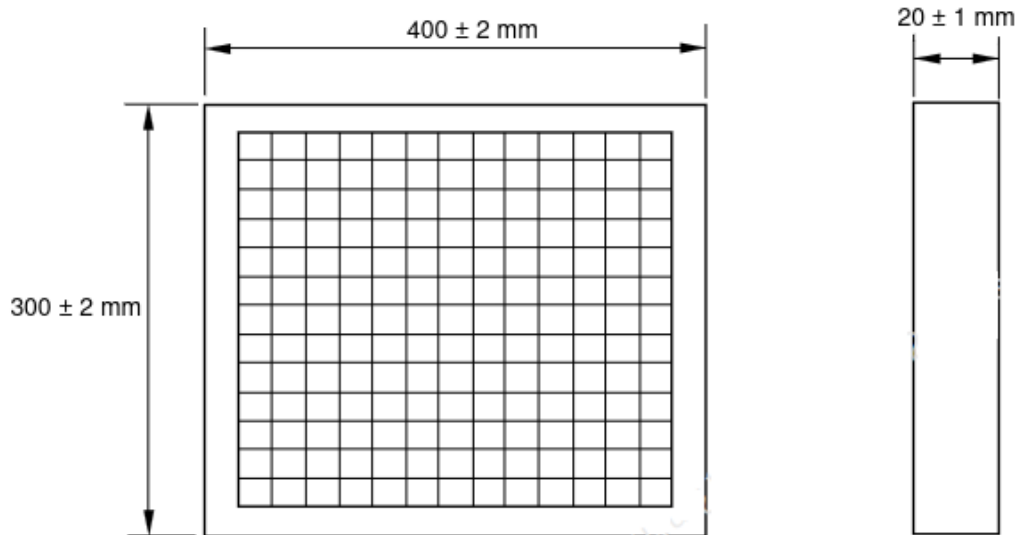


INTERFACE GASKET 110X148X2

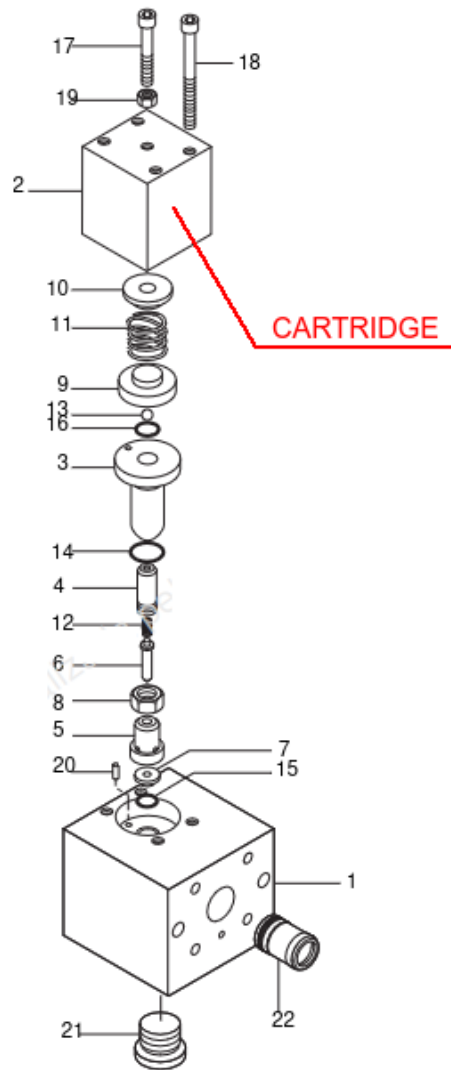
ATTACHMENT Y



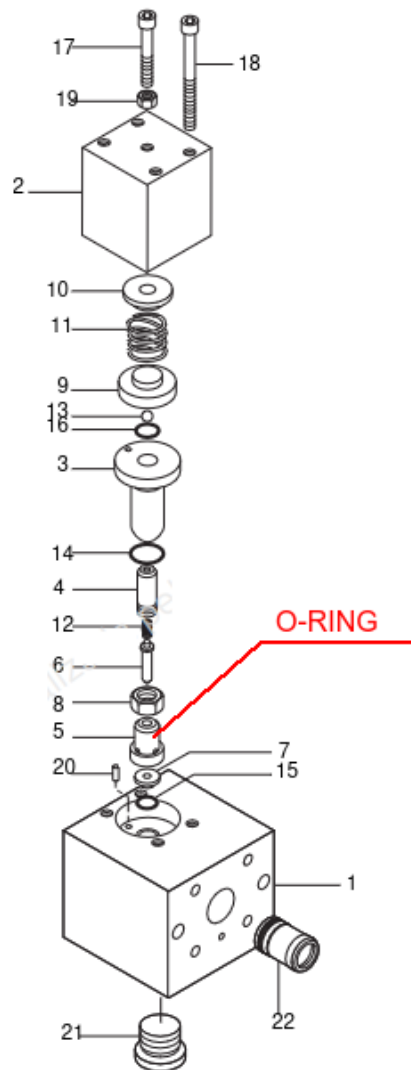
ATTACHMENT Z



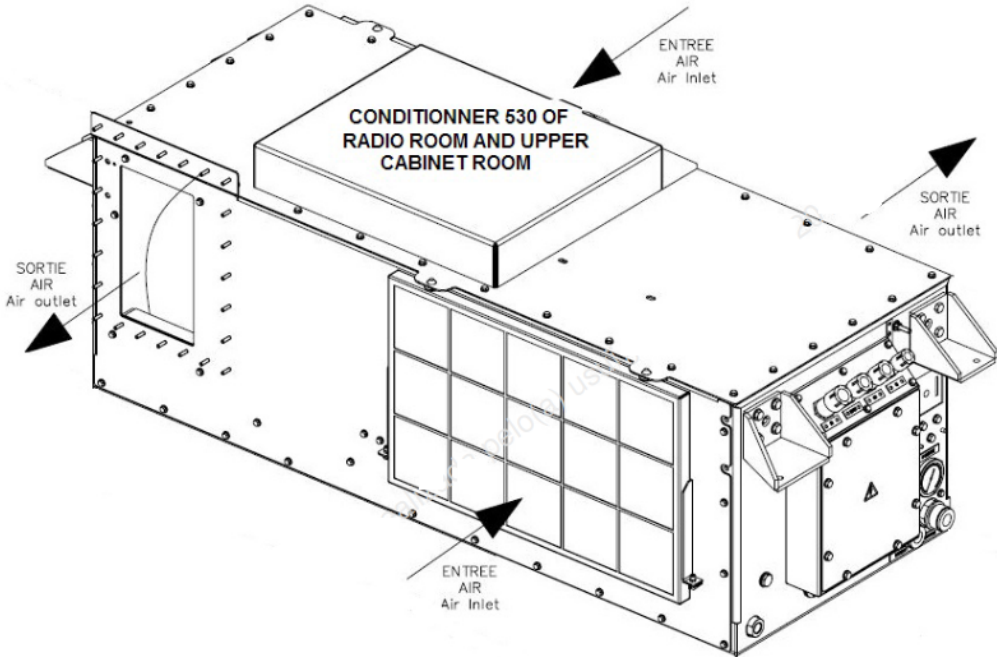
ATTACHMENT AA



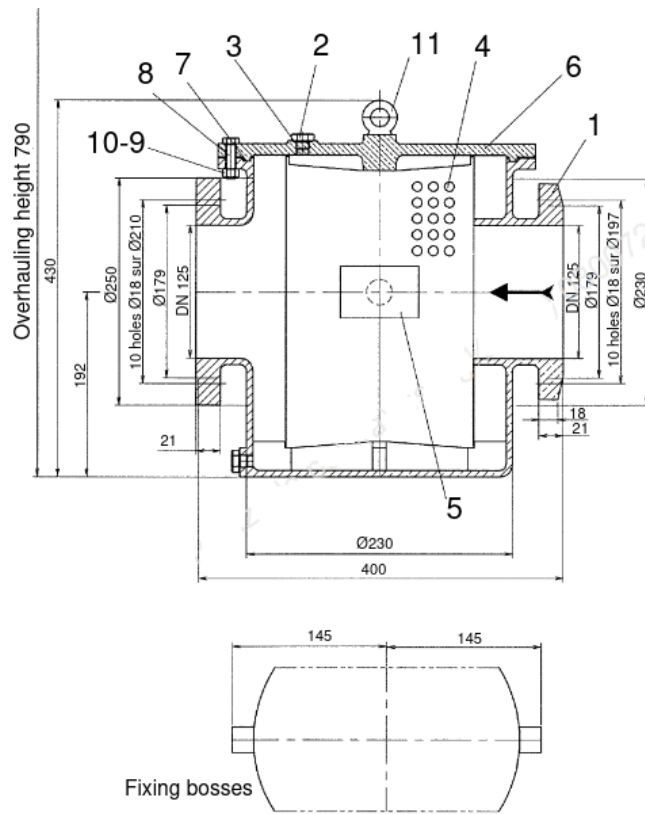
ATTACHMENT AB



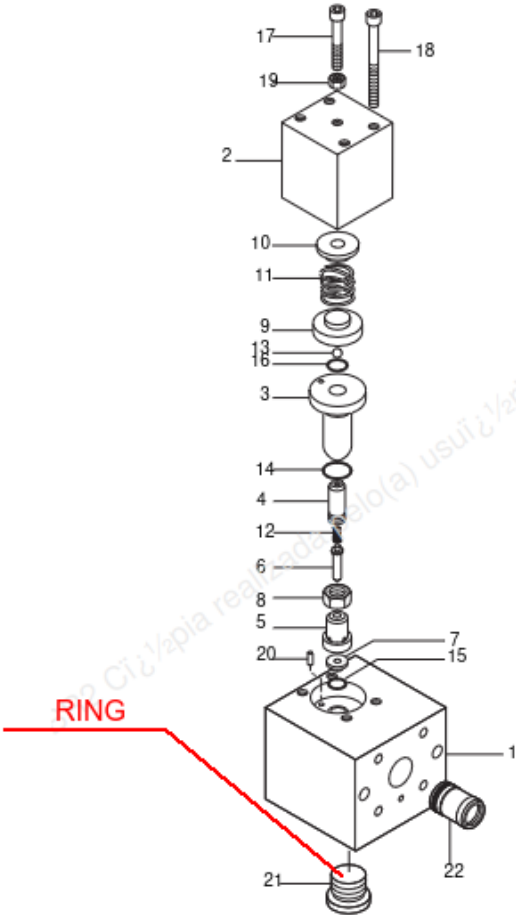
ATTACHMENT AC



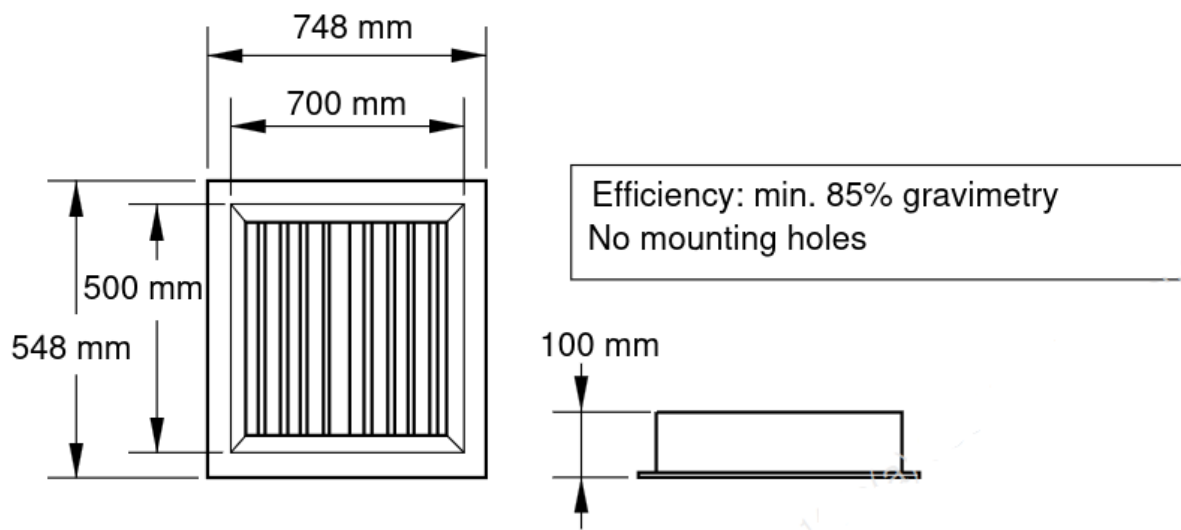
ATTACHMENT AD



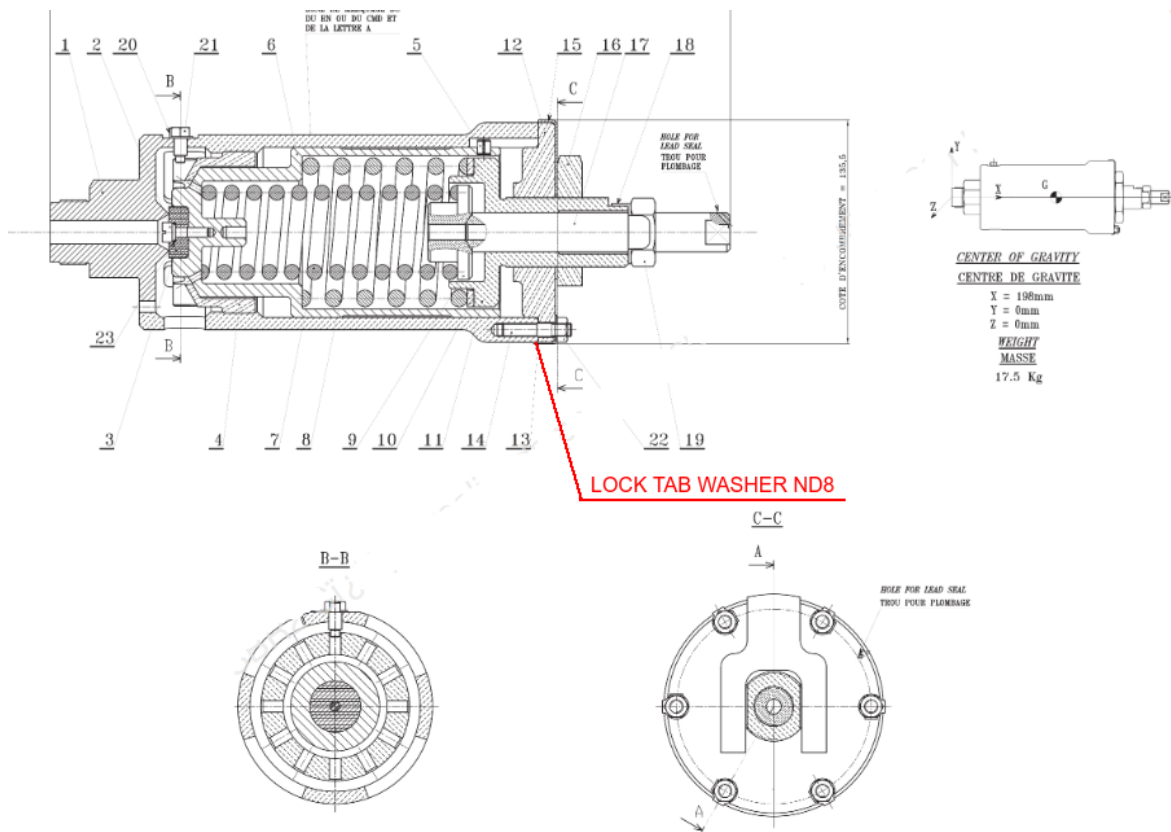
ATTACHMENT AE



ATTACHMENT AG



ATTACHMENT AH



LEANDRO JUSTINO DE ABREU
 Lieutenant-Commander
 Ship Manager
 ASSINADO DIGITALMENTE