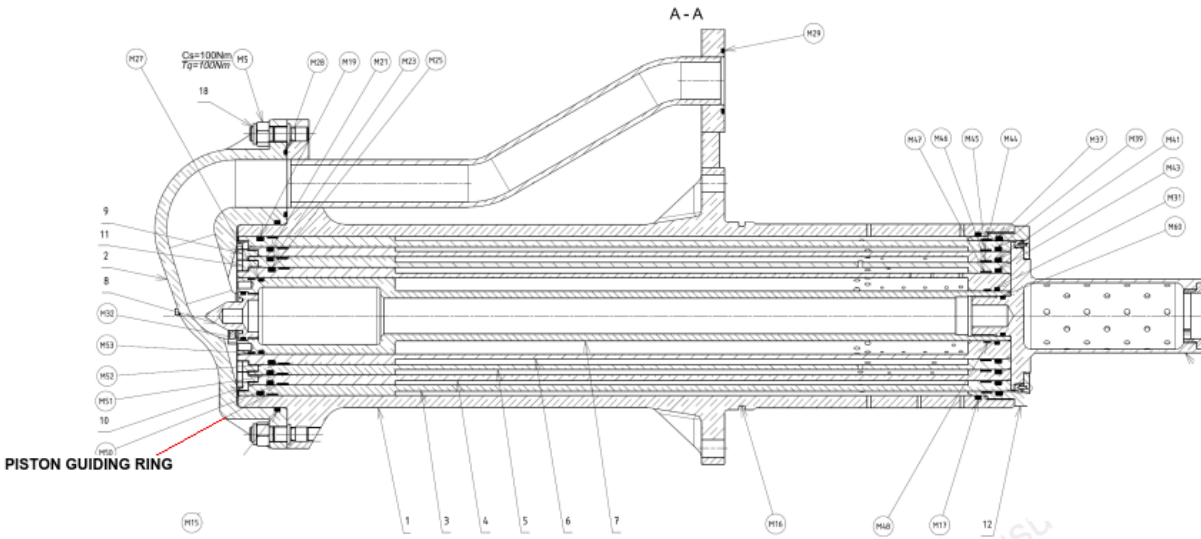


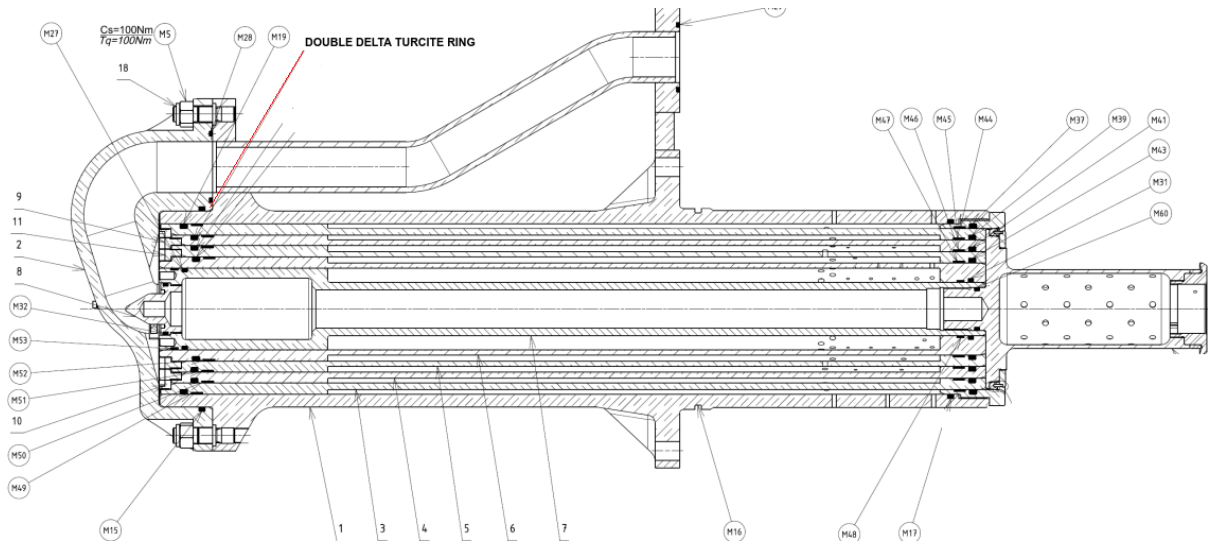


**BRAZILIAN NAVY
NAVY INDUSTRIAL DIRECTORATE
TECHNICAL DRAWING**

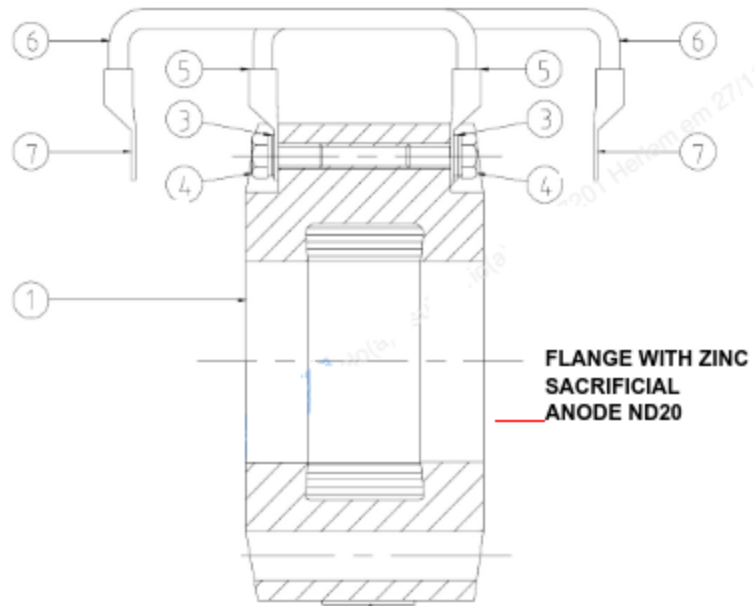
ATTACHMENT A



ATTACHMENT B



ATTACHMENT C



BRUCE ENGLE FRÓES
Lieutenant
Ship Manager Auxiliary
ASSINADO DIGITALMENTE