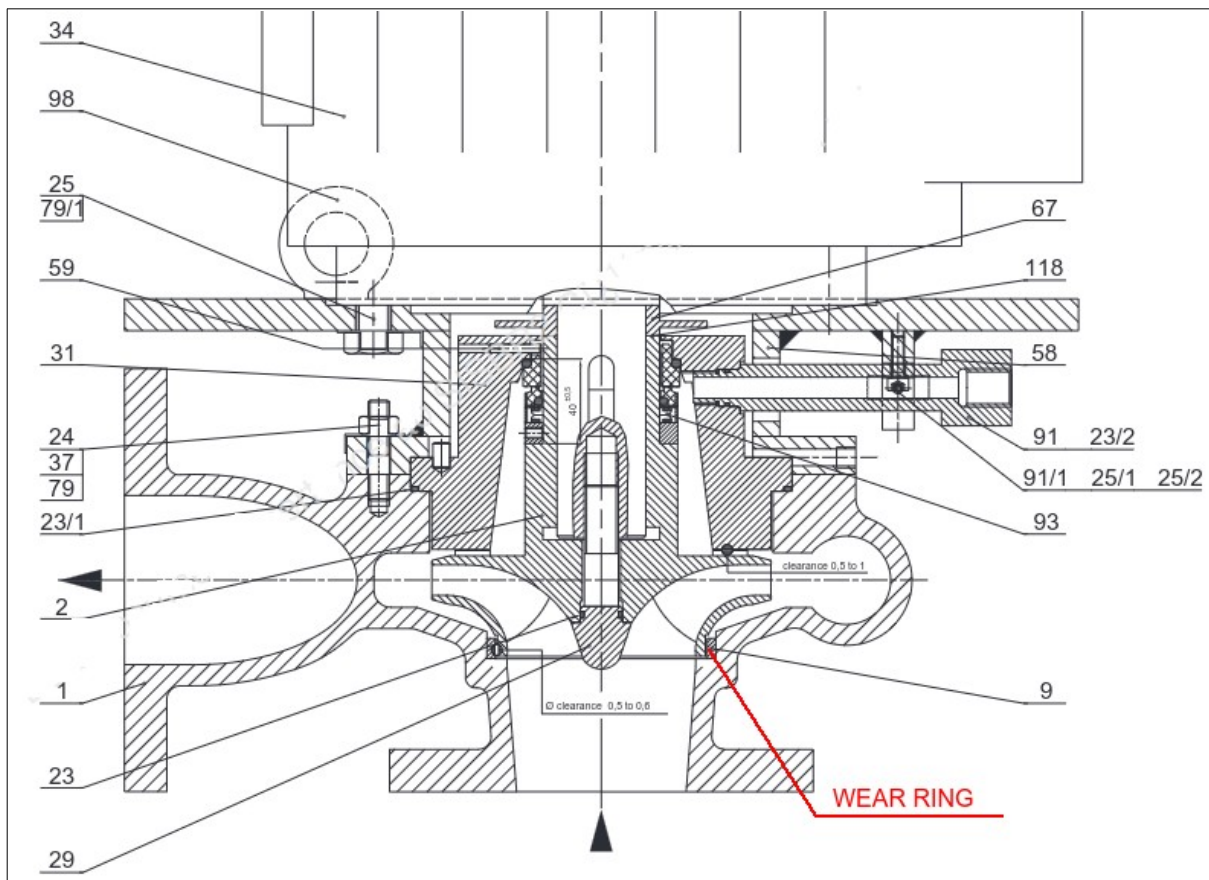


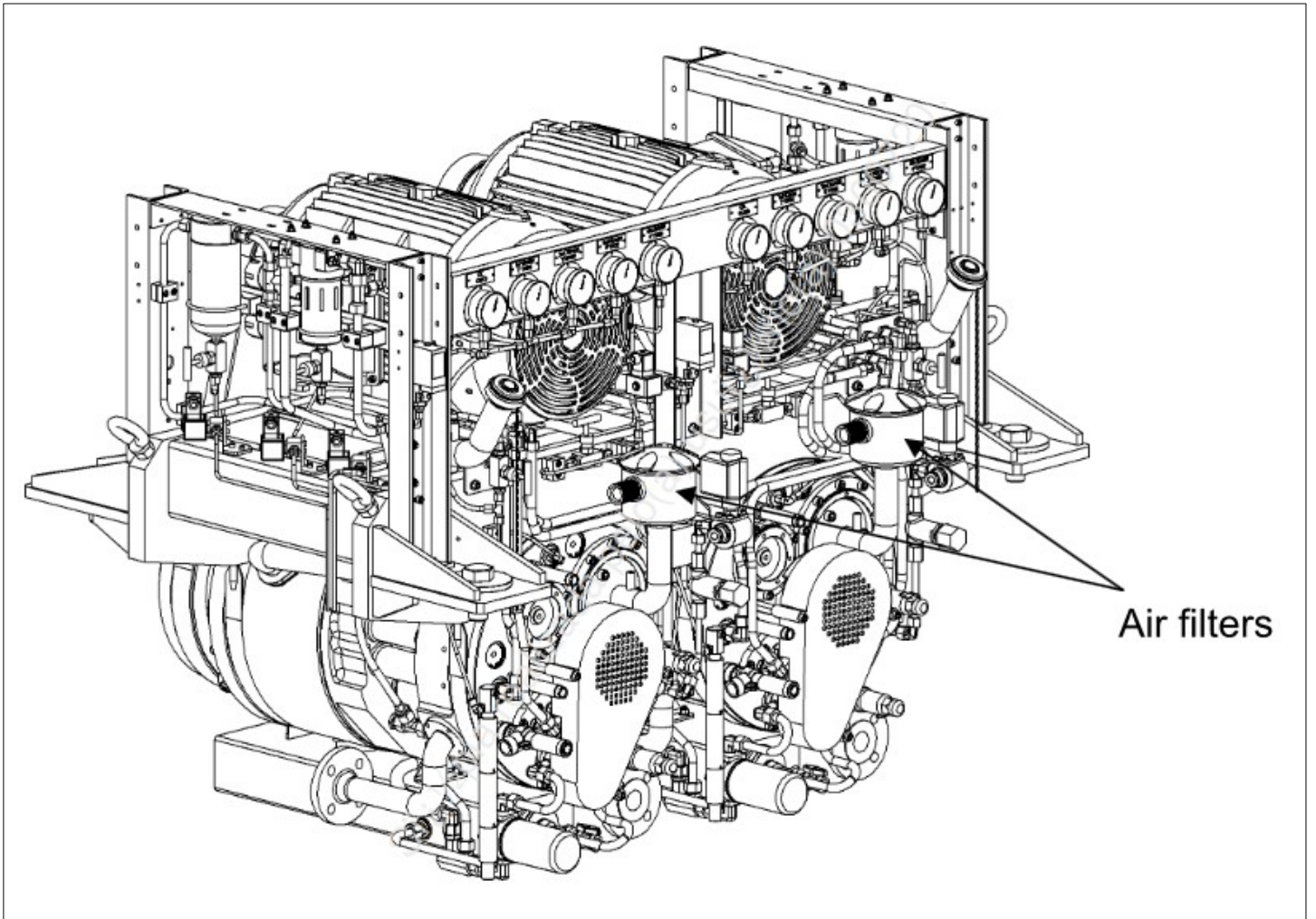


**BRAZILIAN NAVY  
NAVY INDUSTRIAL DIRECTORATE  
TECHNICAL DRAWING**

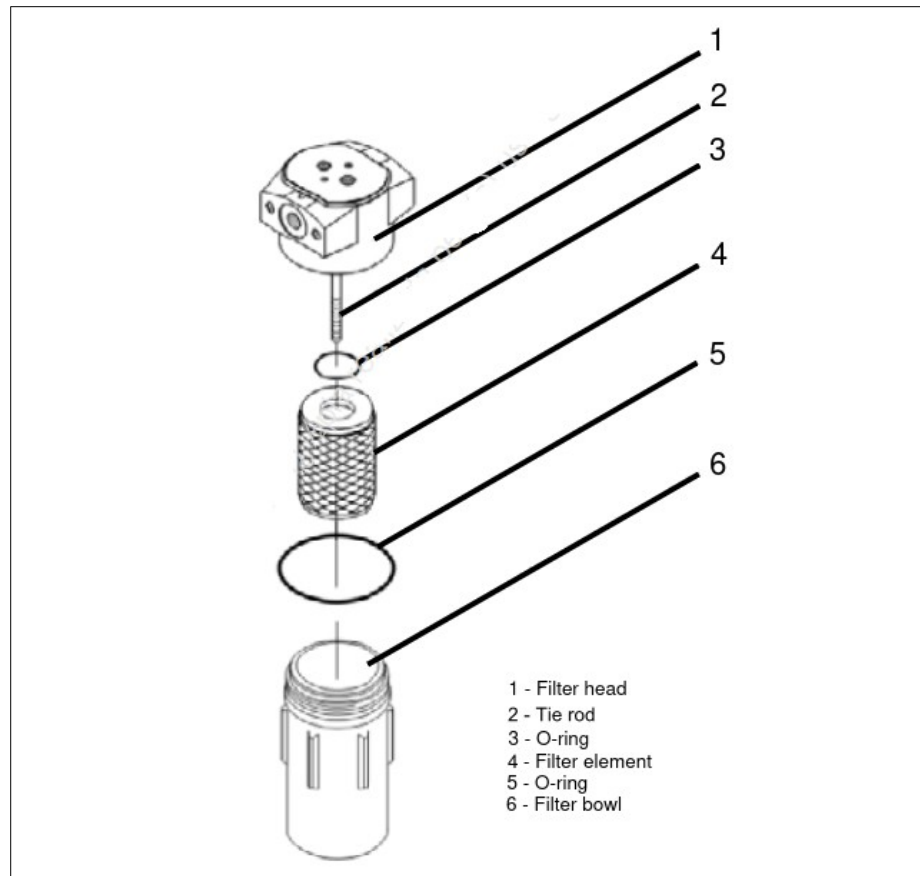
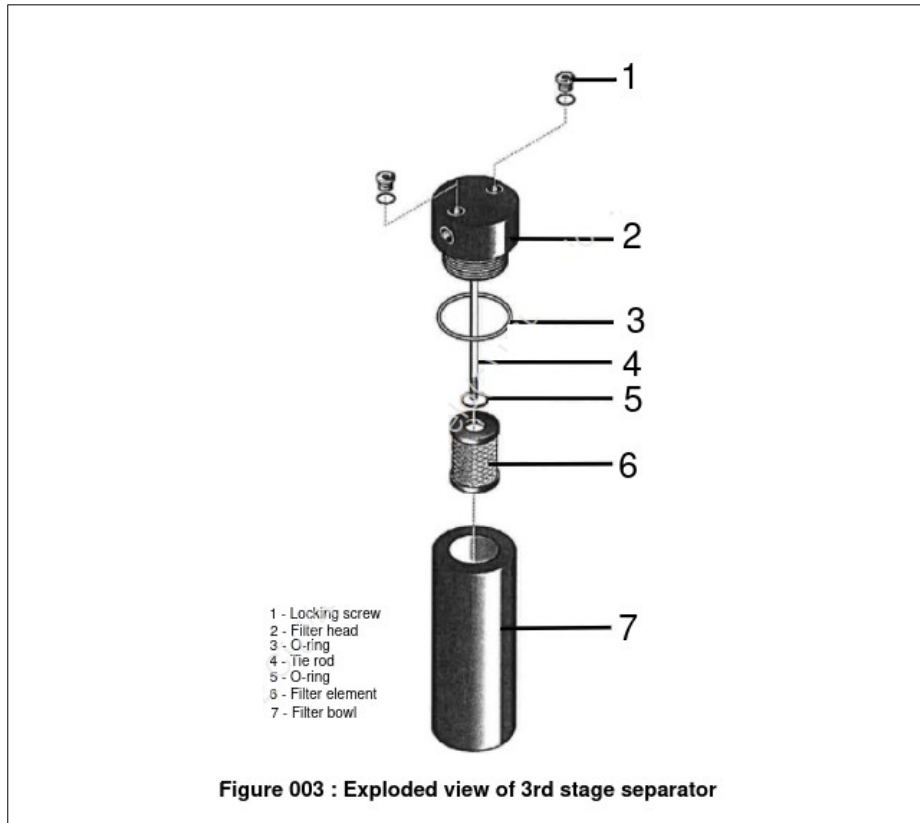
**ATTACHMENT A**



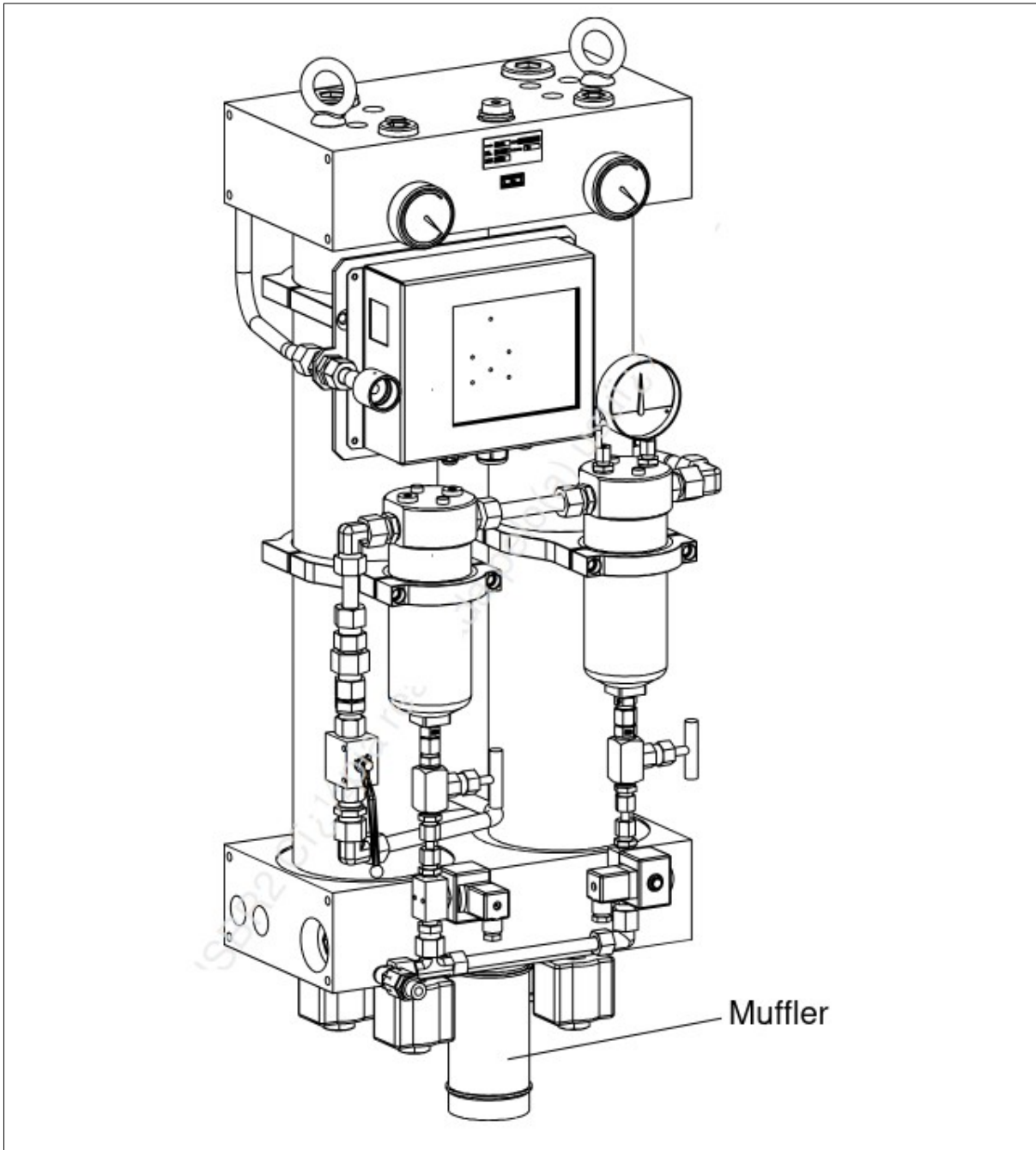
## ATTACHMENT B



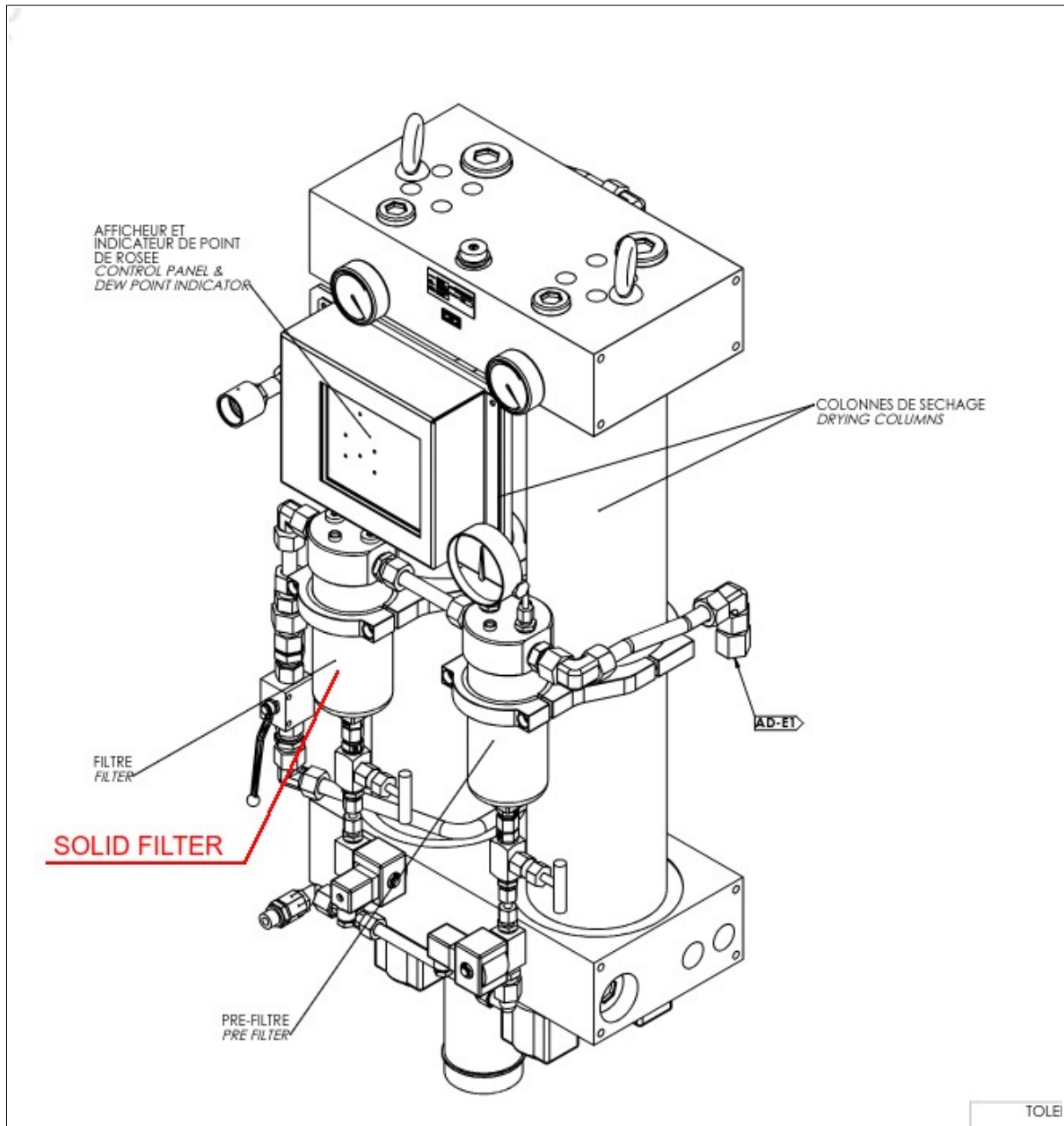
# ATTACHMENT C



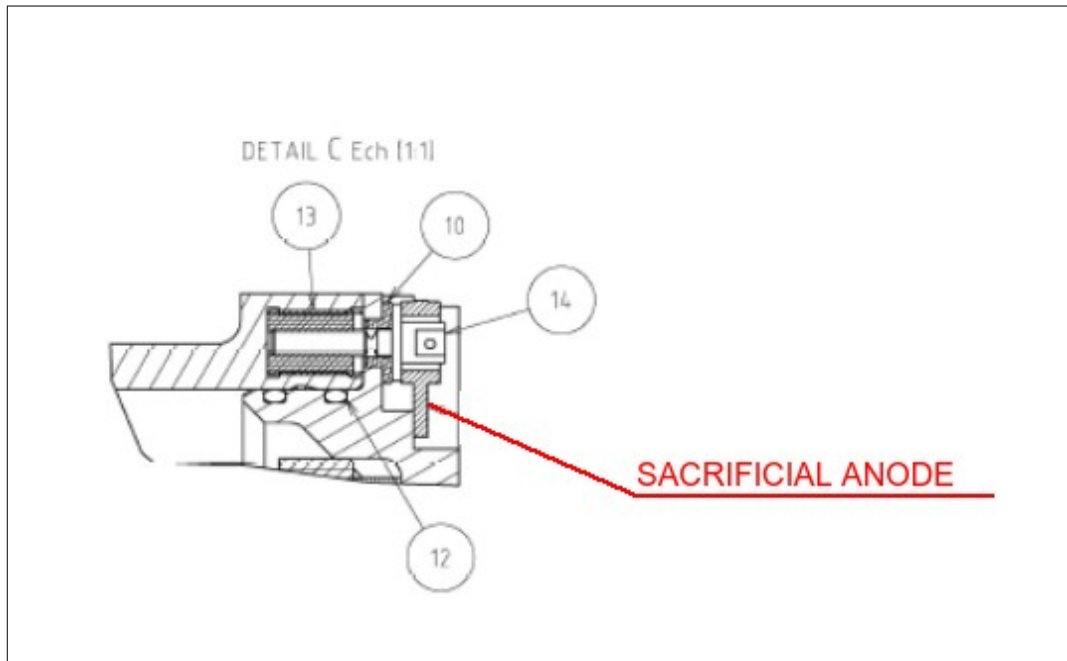
# ATTACHMENT D



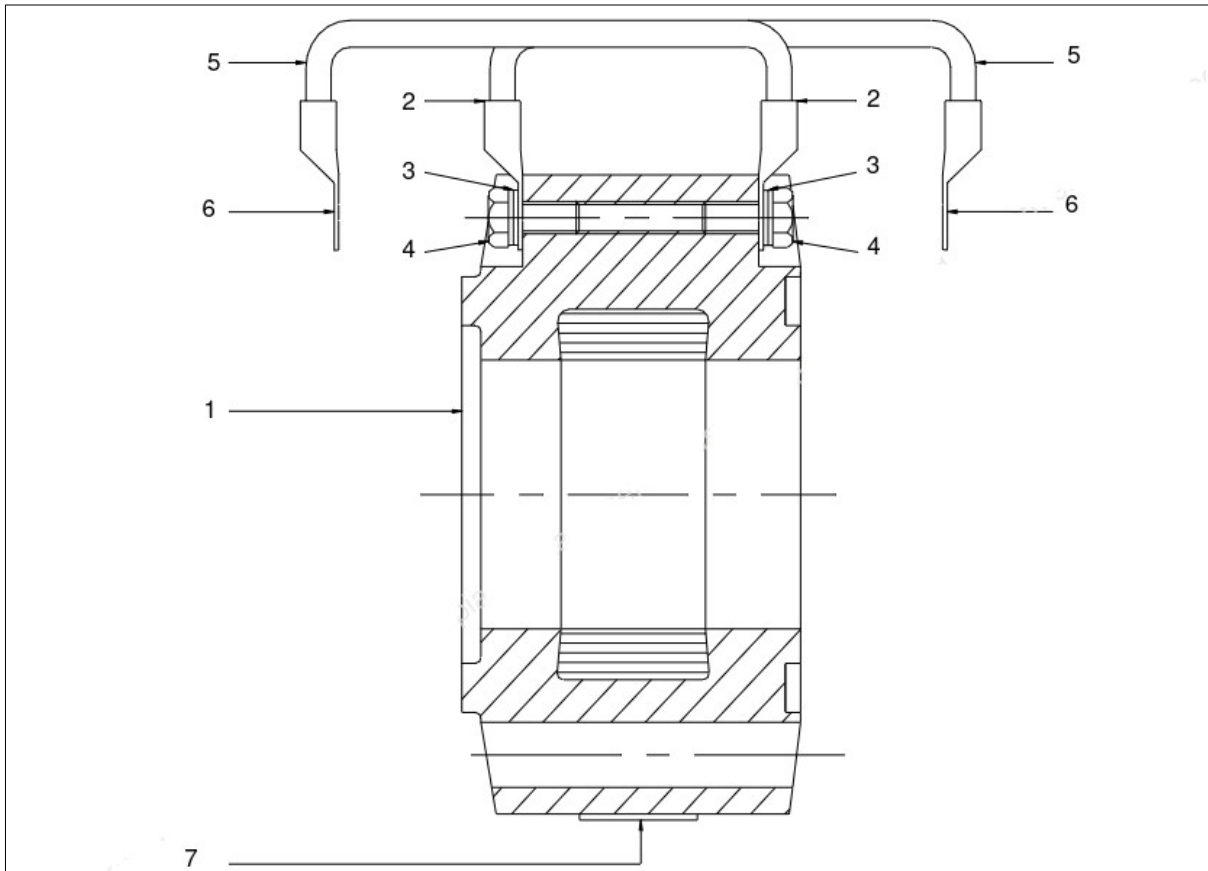
# ATTACHMENT E



## ATTACHMENT F



## ATTACHMENT G



BRUCE ENGLE FRÓES  
Lieutenant-Commander  
Ship Manager Auxiliary  
ASSINADO DIGITALMENTE