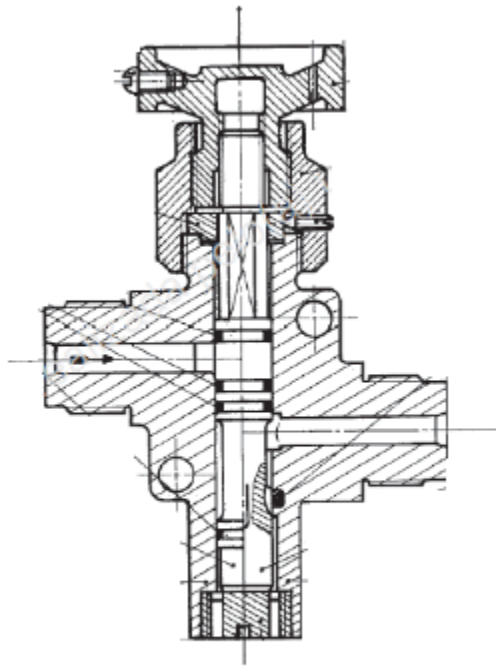




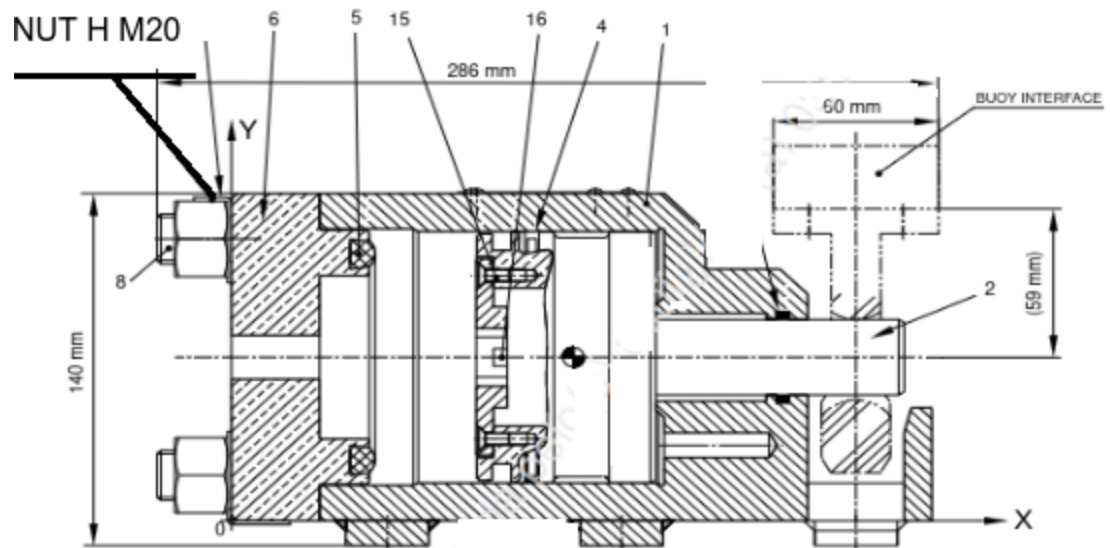
BRAZILIAN NAVY
NAVY INDUSTRIAL DIRECTORATE
TECHNICAL DRAWING

ATTACHMENT A

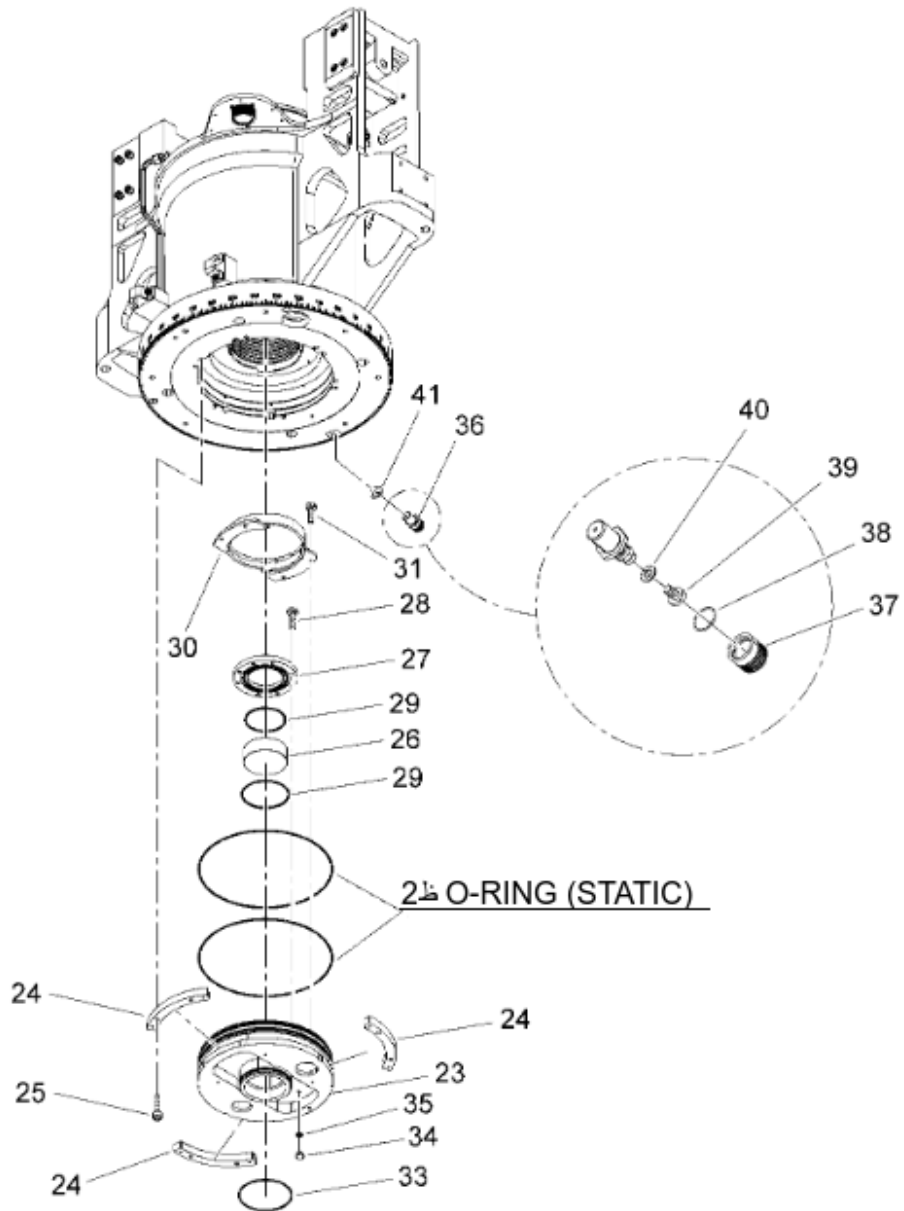


SLIDE VALVE
Overview

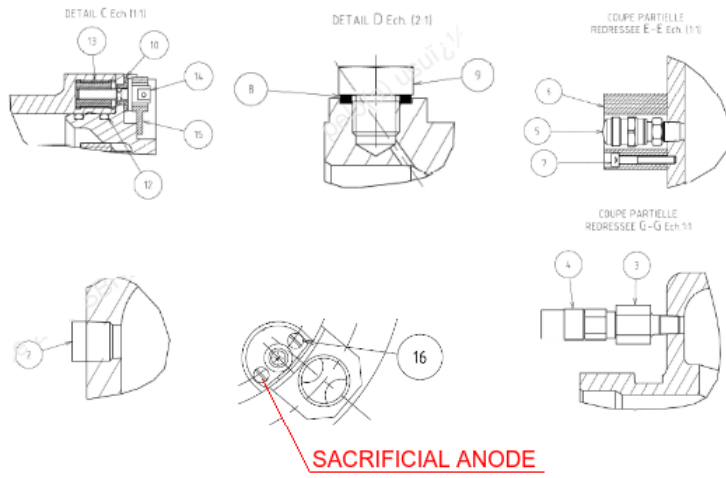
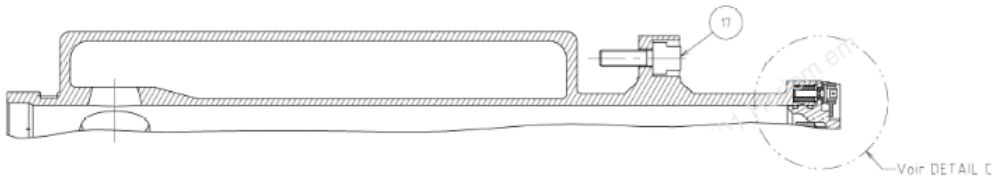
ATTACHMENT B



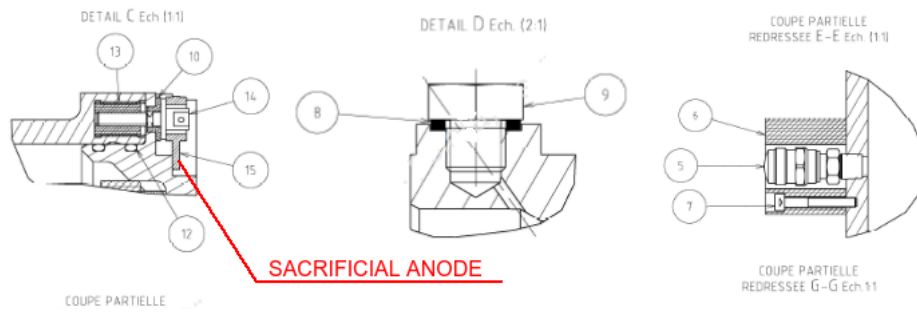
ATTACHMENT C



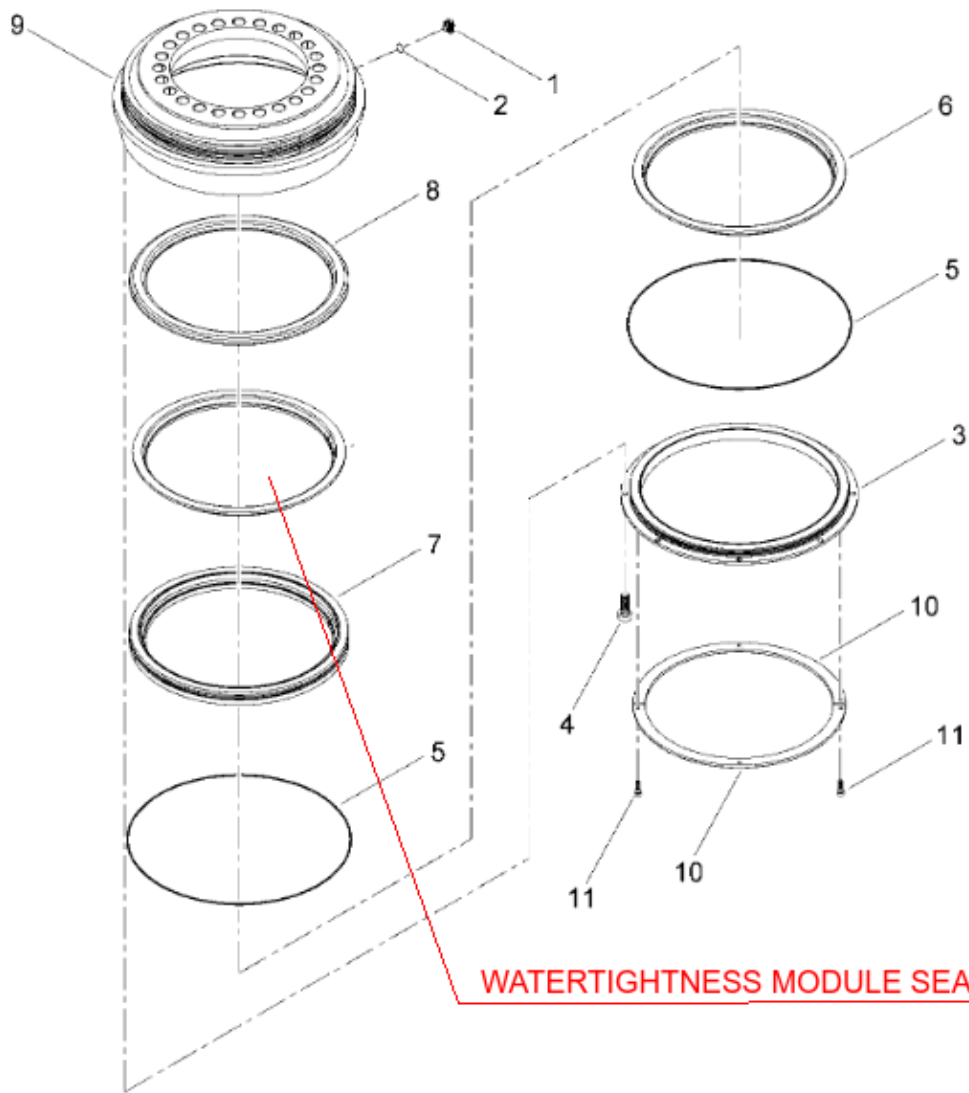
ATTACHMENT D



ATTACHMENT E

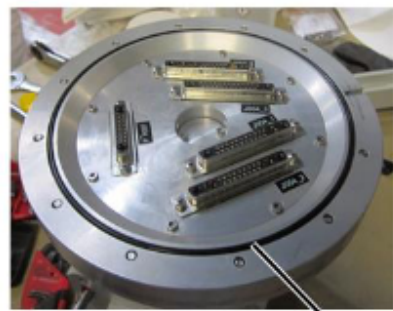
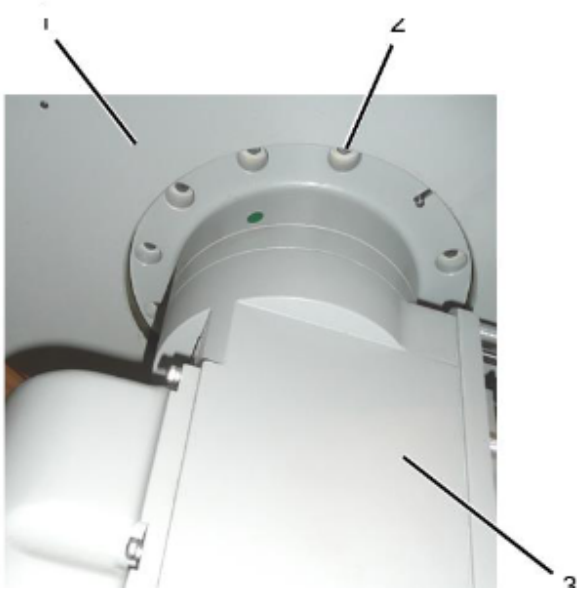


ATTACHMENT F



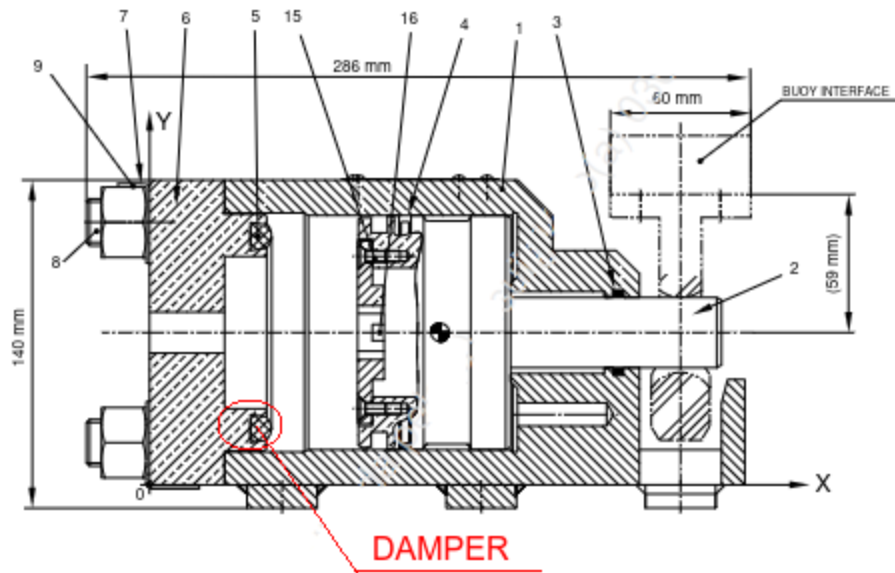
WATERTIGHTNESS MODULE SEAL

ATTACHMENT G

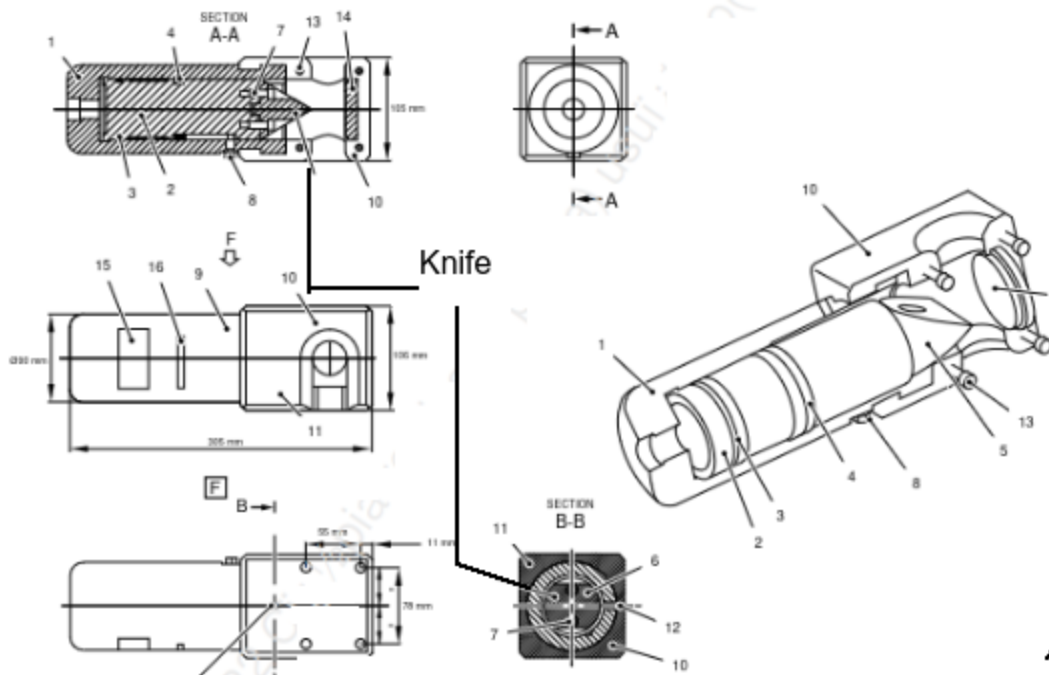


158.48 O-Ring

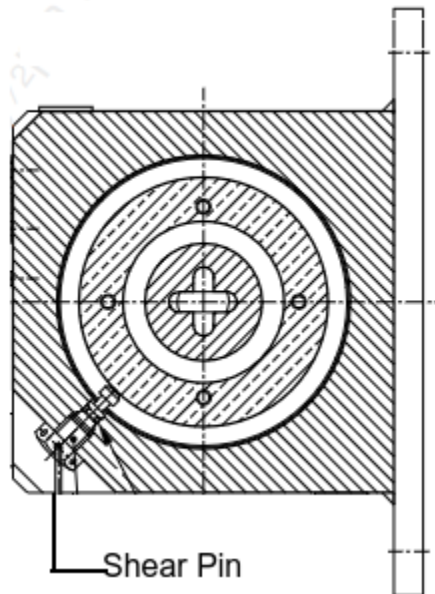
ATTACHMENT I



ATTACHMENT K



ATTACHMENT L



LEANDRO JUSTINO DE ABREU
Lieutenant-Commander
Ship Manager

ASSINADO DIGITALMENTE