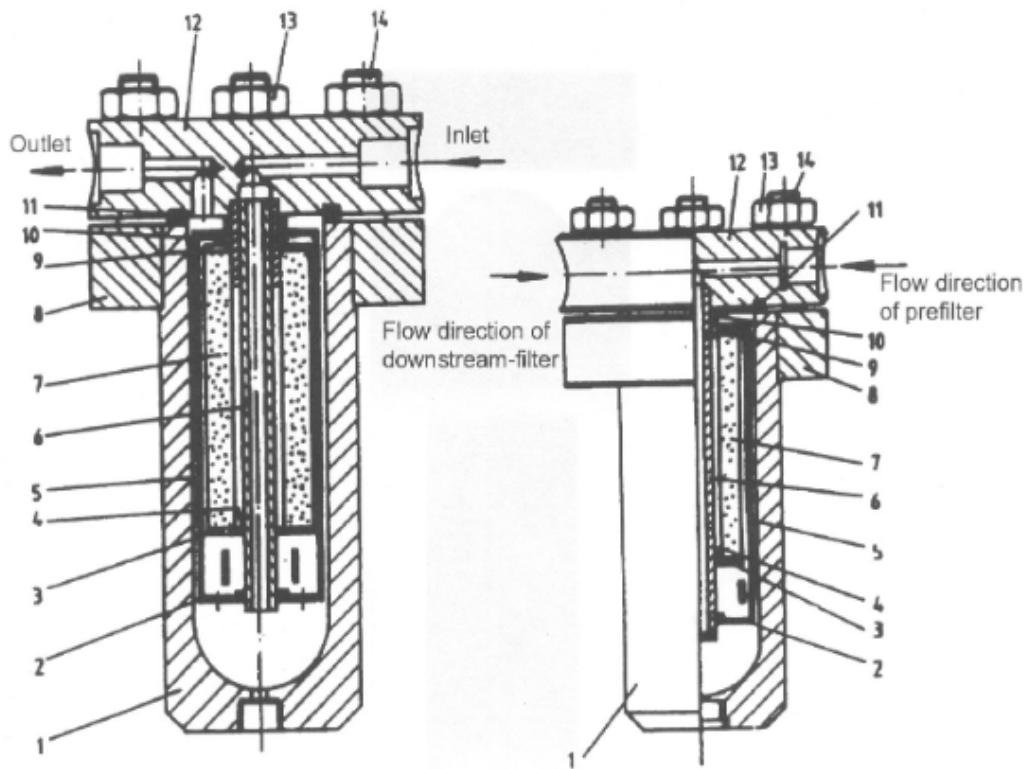




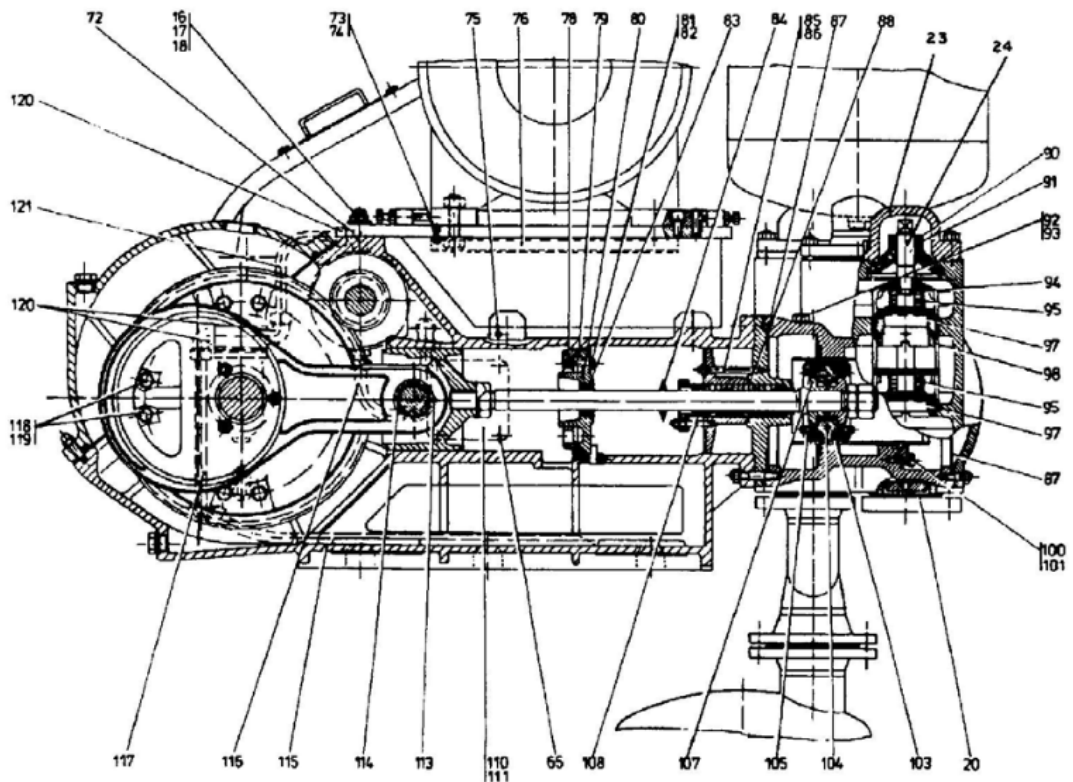
**MBRAZILIAN NAVY**  
**NAVY INDUSTRIAL DIRECTORATE**  
**TECHNICAL DRAWING**

**ATTACHMENT A**



- |   |                         |    |                  |
|---|-------------------------|----|------------------|
| 1 | Filter hood             | 8  | Flange           |
| 2 | Draining sleeve cover   | 9  | Cylinder cover   |
| 3 | Cylinder cover          | 10 | Distance washer  |
| 4 | Gasket                  | 11 | Gasket           |
| 5 | Draining sleeve         | 12 | Connecting part  |
| 6 | Central pipe            | 13 | Hexagon nut      |
| 7 | Filter cylinder element | 14 | Necked-down bolt |

ATTACHMENT B



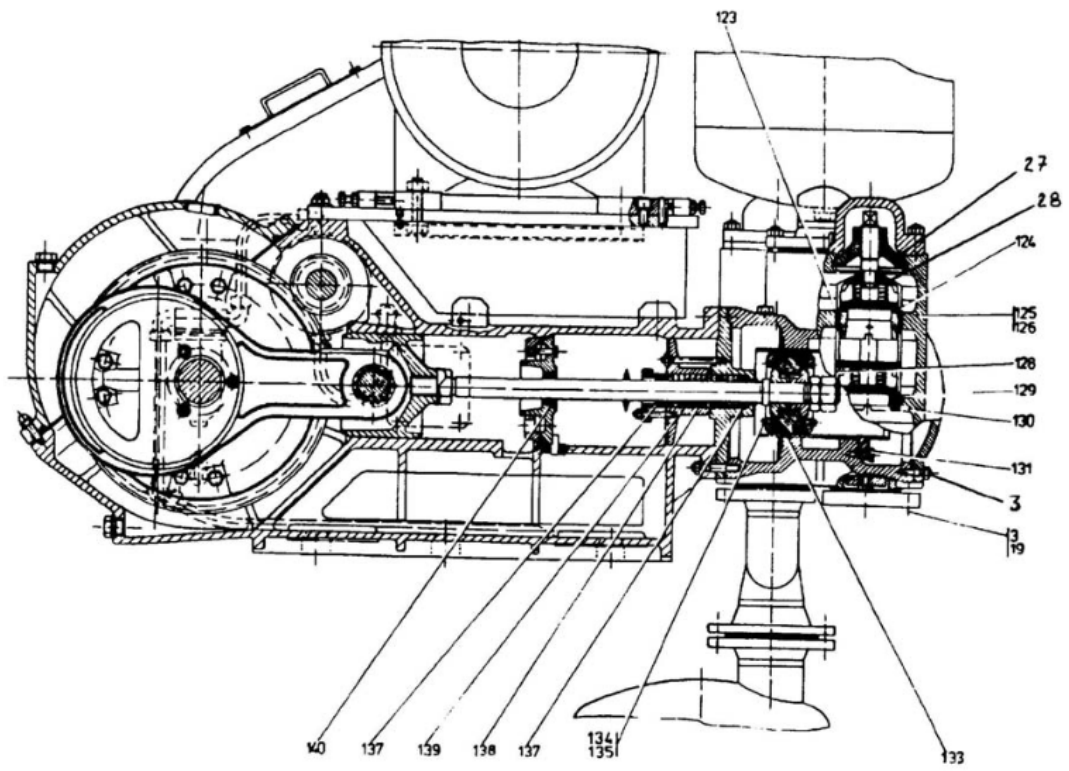
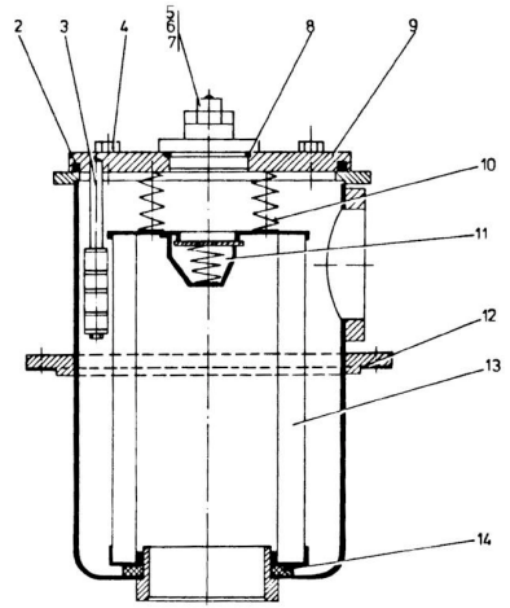
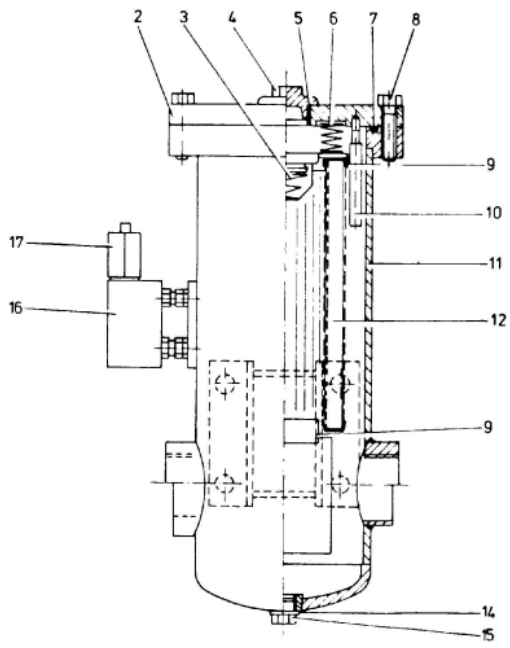
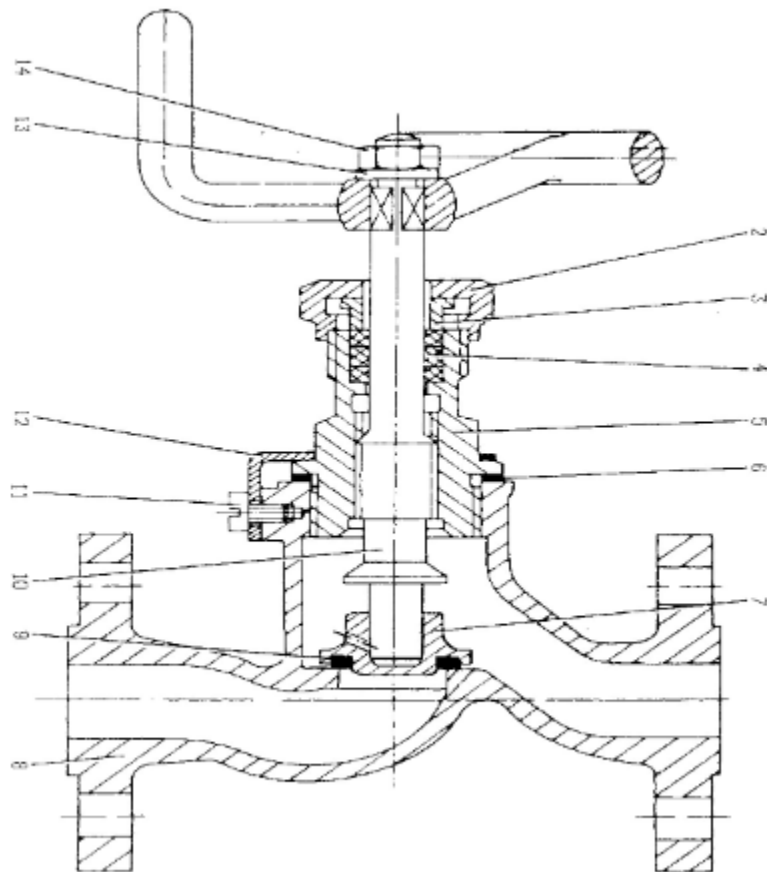


FIGURA - 2

# ATTACHMENT C



ATTACHMENT D



LEANDRO JUSTINO DE ABREU  
Lieutenant-Commander  
Ship Manager

ASSINADO DIGITALMENTE