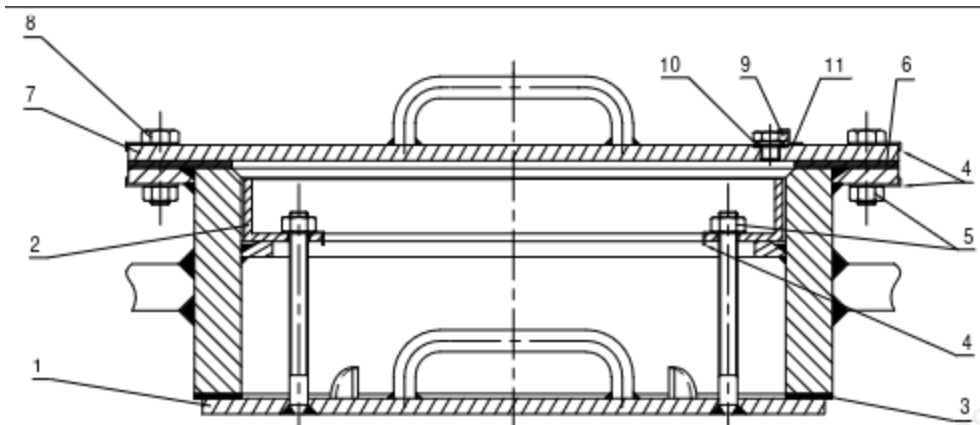


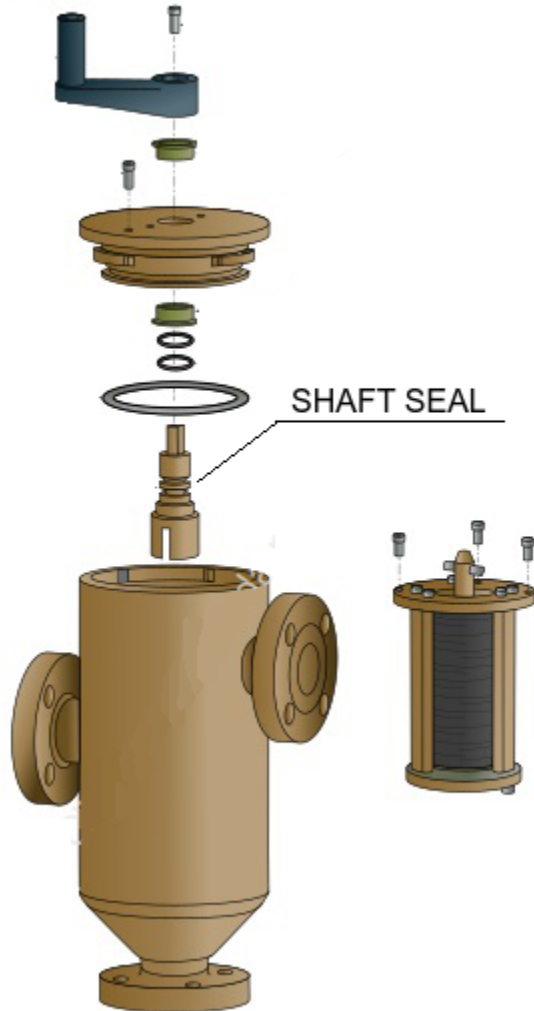


BRAZILIAN NAVY
NAVY INDUSTRIAL DIRECTORATE
TECHNICAL DRAWING

ATTACHMENT A

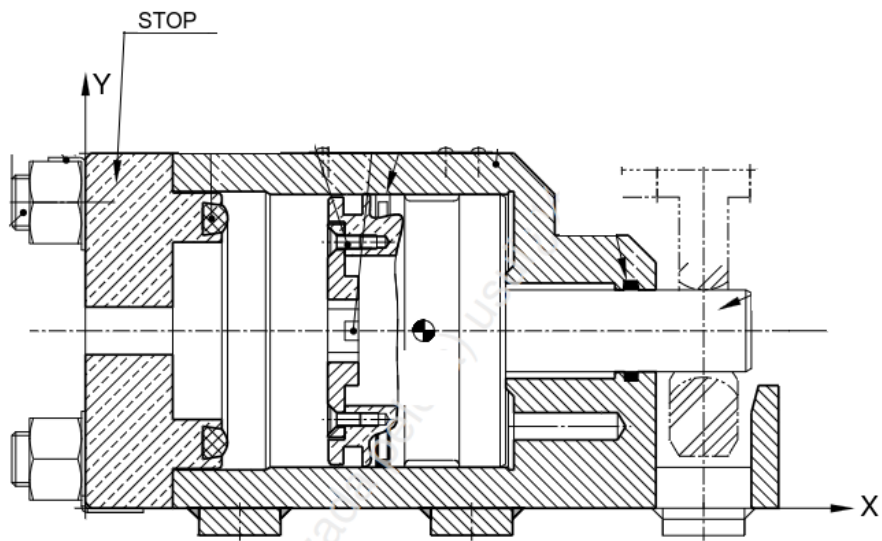


ATTACHMENT B

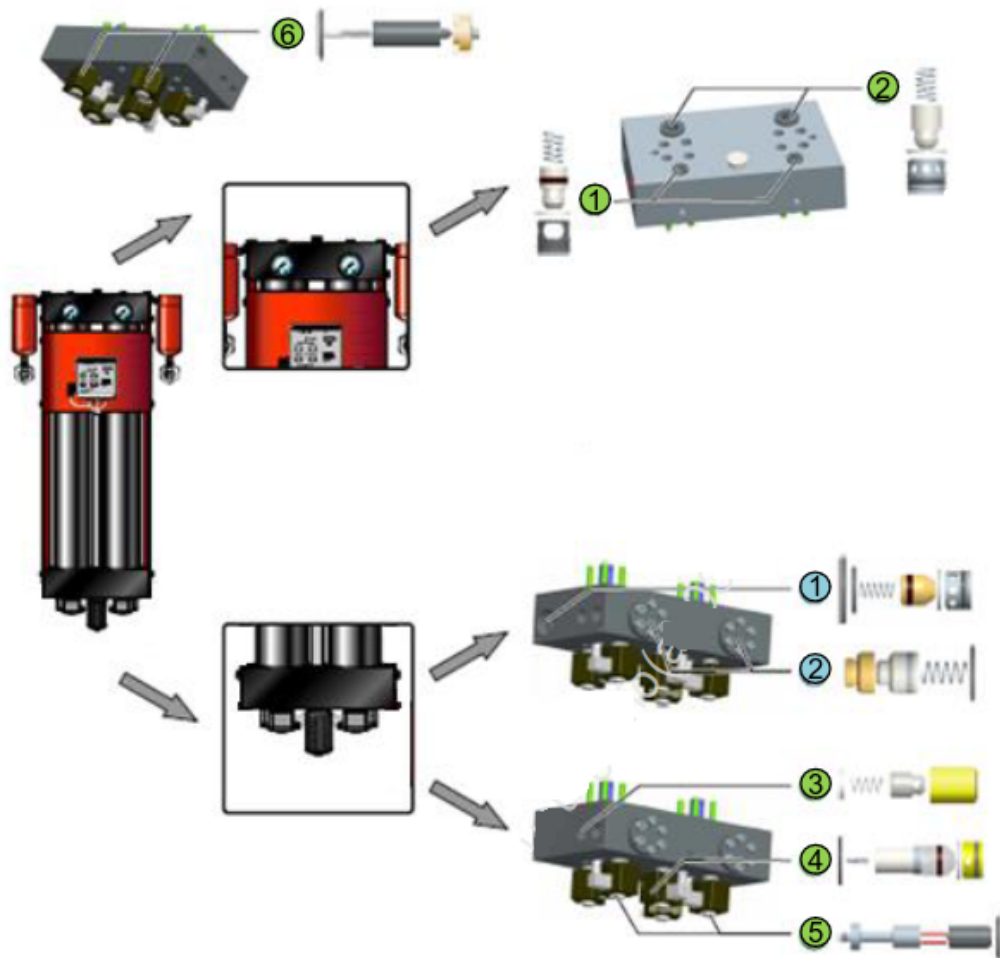


ATTACHMENT C

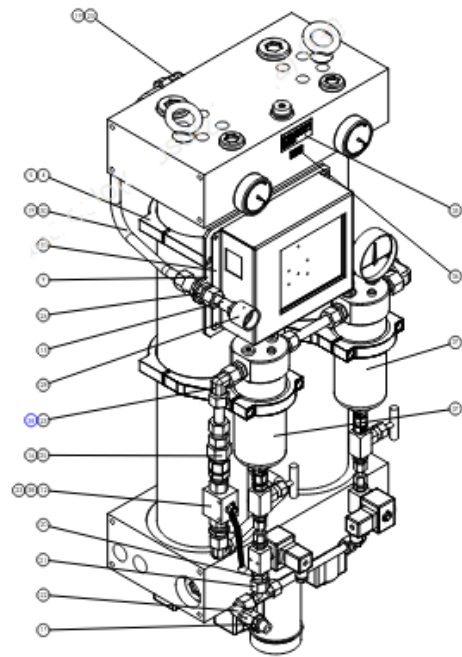
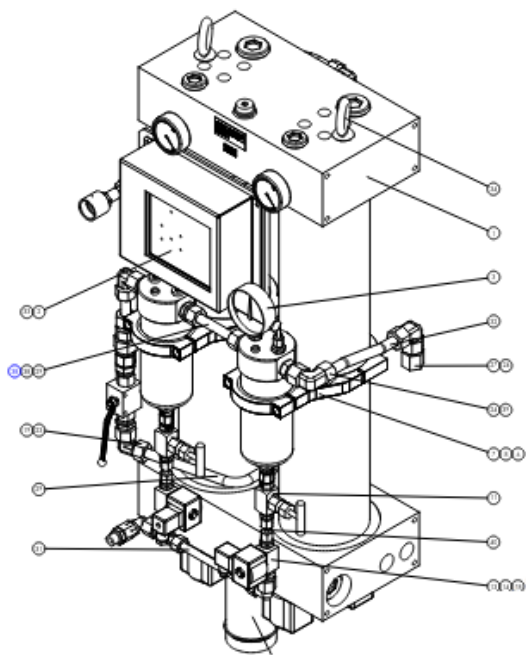
BREAKABLE PIN AXIS RETURNED IN SECTION



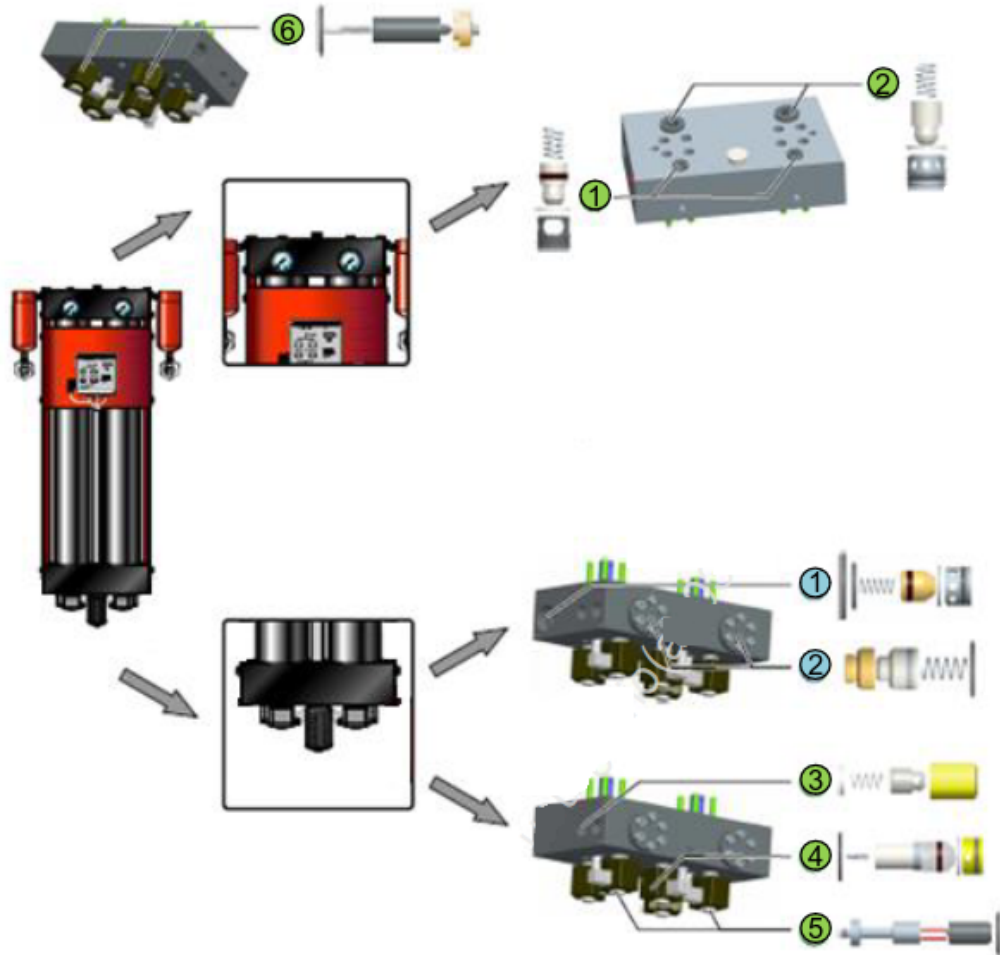
ATTACHMENT D



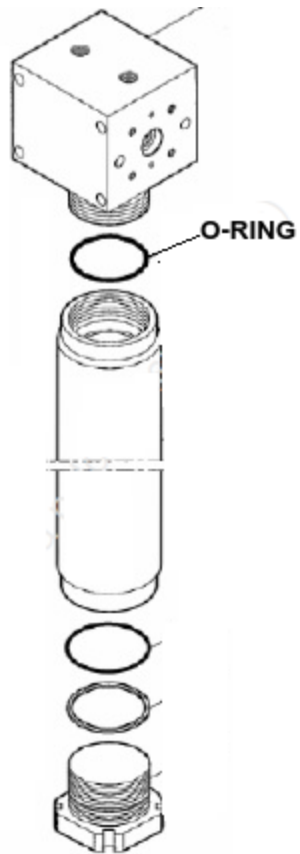
ATTACHMENT E



ATTACHMENT F

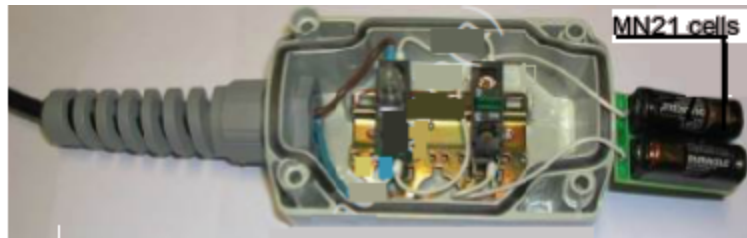


ATTACHMENT G



72 -

ATTACHMENT H



LEANDRO JUSTINO DE ABREU
Lieutenant-Commander
Ship Manager

ASSINADO DIGITALMENTE