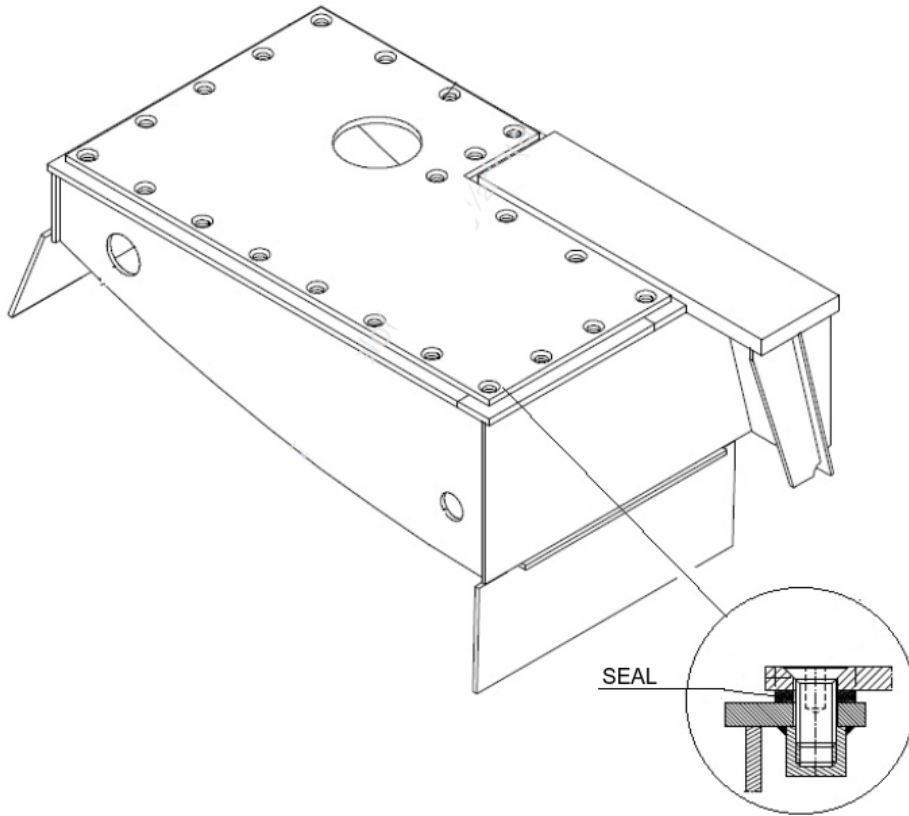


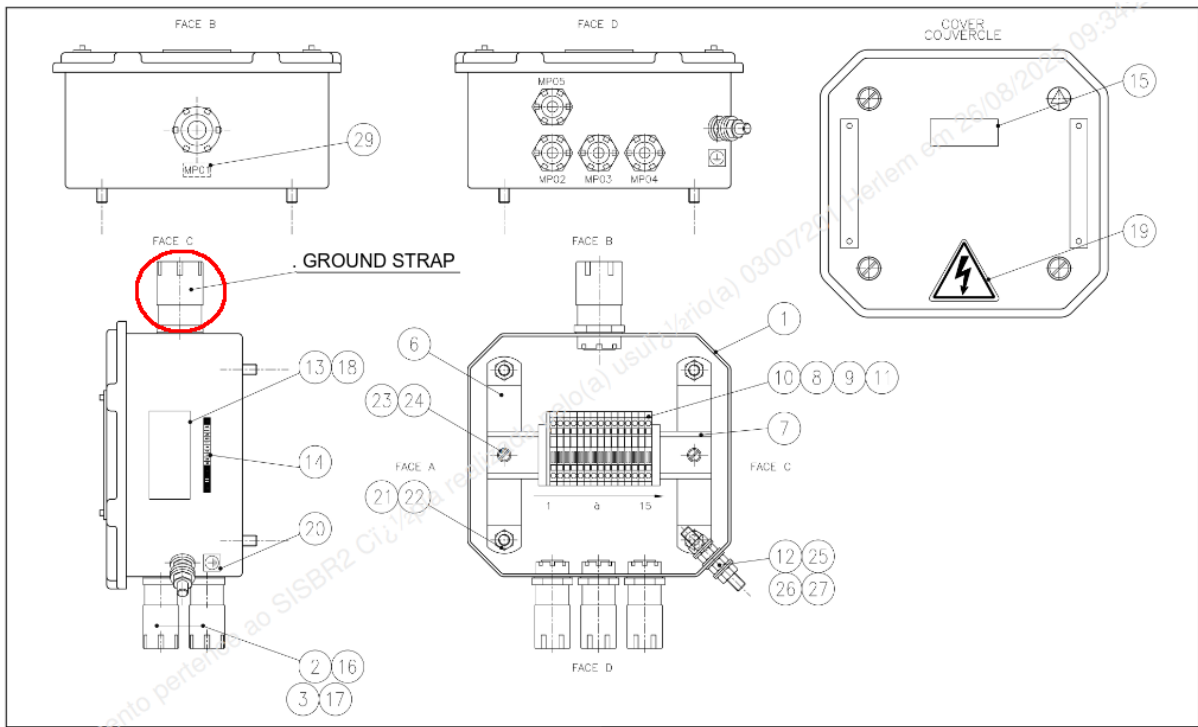


BRAZILIAN NAVY
NAVY INDUSTRIAL DIRECTORATE
TECHNICAL DRAWING

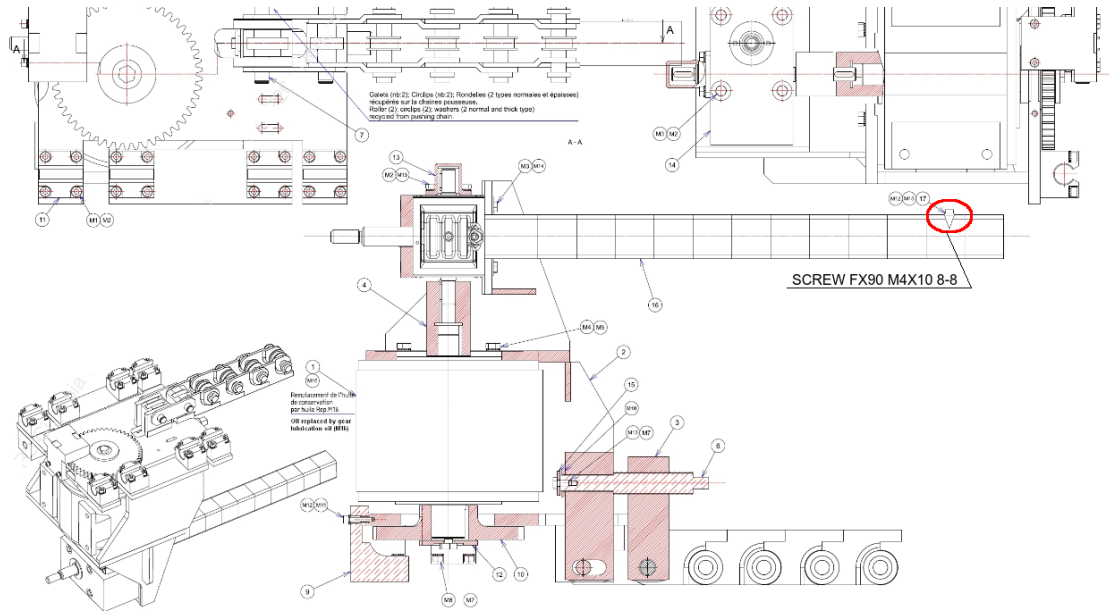
ATTACHMENT A



ATTACHMENT F



ATTACHMENT G



LEANDRO JUSTINO DE ABREU

Lieutenant-Commander

Ship Manager

ASSINADO DIGITALMENTE